

Saya Counter Stool

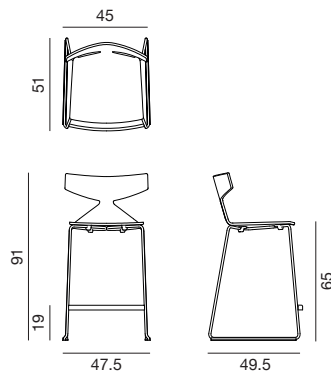
Design by Lievore Altherr Molina, 2012

Art. 3712

Stool with chromed or powdercoated steel sled base and oak veneer shell. It is available in 4 finishes and with fabric, leather, coated fabric or customer's material upholstered cushion applied on the seat. Optional glides with felt for wooden floors are available upon request. Seat height 65 cm.

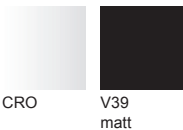


Dimensions *



* File CAD 2D - 3D available for download at www.arper.com

Frame Base



Shell

Wood



arper

www.arper.com


info@arper.com


Saya Counter Stool

Design by Lievore Altherr Molina, 2012

SHIPMENT DETAILS

Art.3712

1 pz = 2  - kg 10,74/ m³ 0,36

4 pz = 2  - kg 31,42/ m³ 0,41

TECHNICAL SPECIFICATIONS

Art.3712

COL requirement m² 0.564

H 140 cm. COM Meterage m 0.48

RESISTANCE TEST

FIRE RETARDANT TEST

ENVIRONMENTAL CERTIFICATIONS



arper

www.arper.com

info@arper.com