

Adell

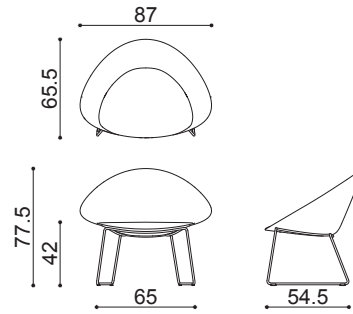
Design by Lievore + Altherr Désile Park, 2020

Art. 6805

Lounge chair with powder-coated steel sled base. Polypropylene shell with distinctive texture made with 80% recycled materials, entirely covered with fabric, leather, coated fabric or a covering of the client's choice.

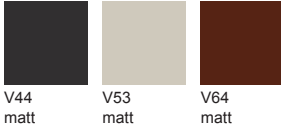


Dimensions *



* File CAD 2D - 3D available for download at www.arper.com

Frame Base



Shell

arper

www.arper.com


info@arper.com


Adell

Design by Lievore + Altherr Désile Park, 2020

SHIPMENT DETAILS

Art.6805

1 pz = 2  - kg 17/ m³ 0,501

4 pz = 2  - kg 51,2/ m³ 0,793

TECHNICAL SPECIFICATIONS

Art.6805

COL requirement m² 3.84

H 140 cm. COM Meterage m 1.96

*Classe 1, 2, 1IM: fire retardant version available with surcharge and eventual minimum batch

RESISTANCE TEST

FIRE RETARDANT TEST

ENVIRONMENTAL CERTIFICATIONS



arper

www.arper.com
info@arper.com

www.arper.com