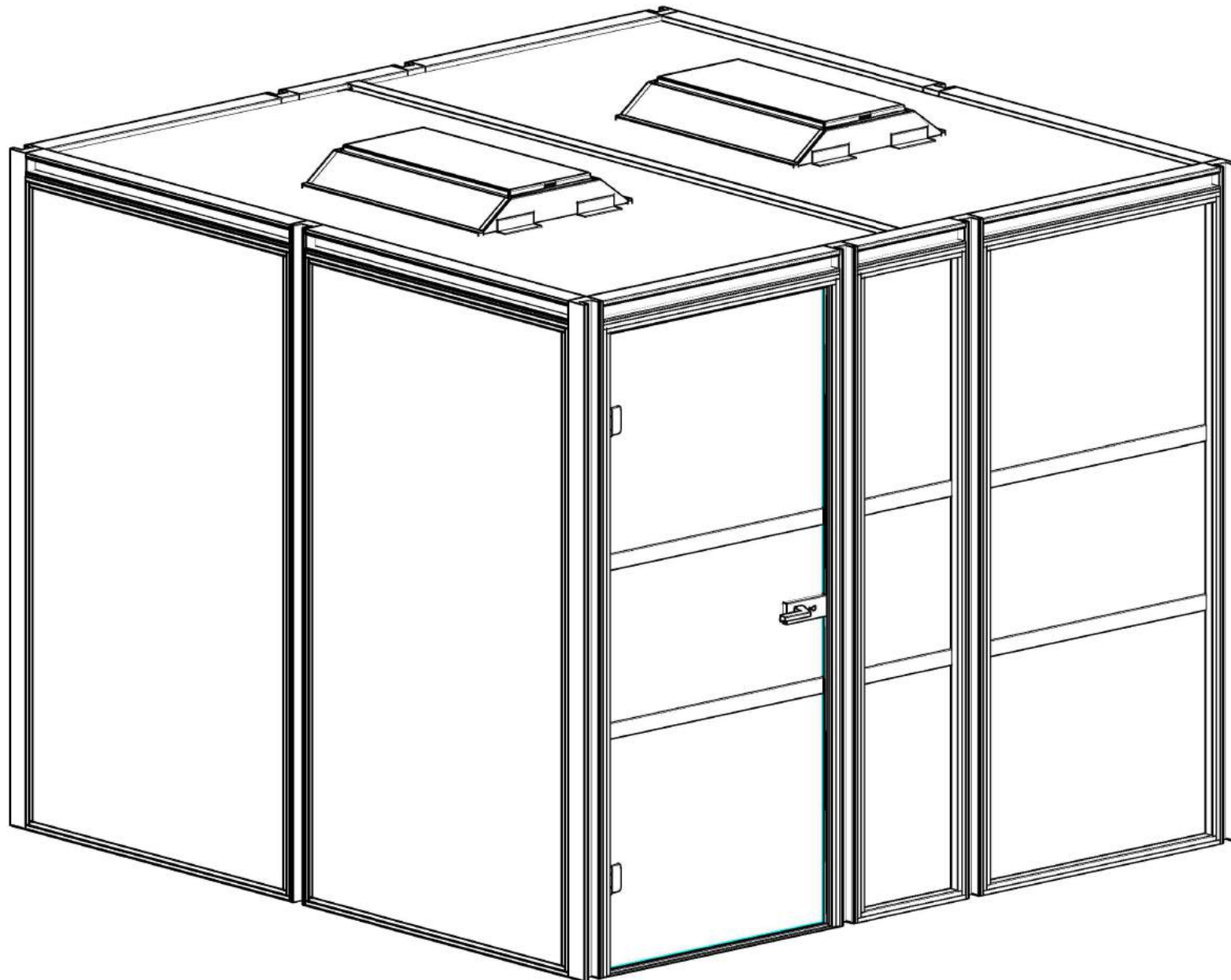


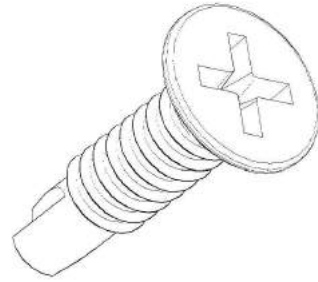
# HK03

.mdd

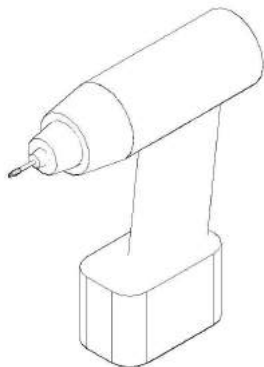
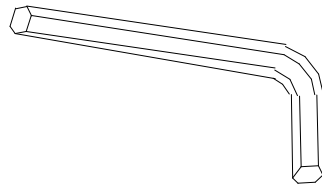




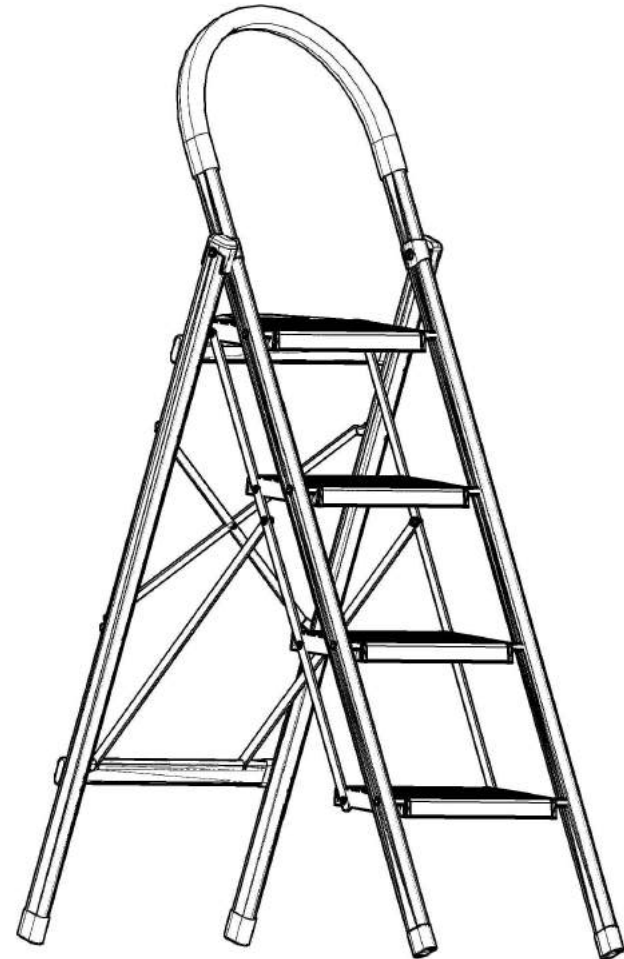
M6x16

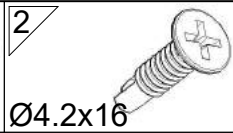
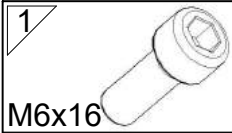


Ø4.2x16



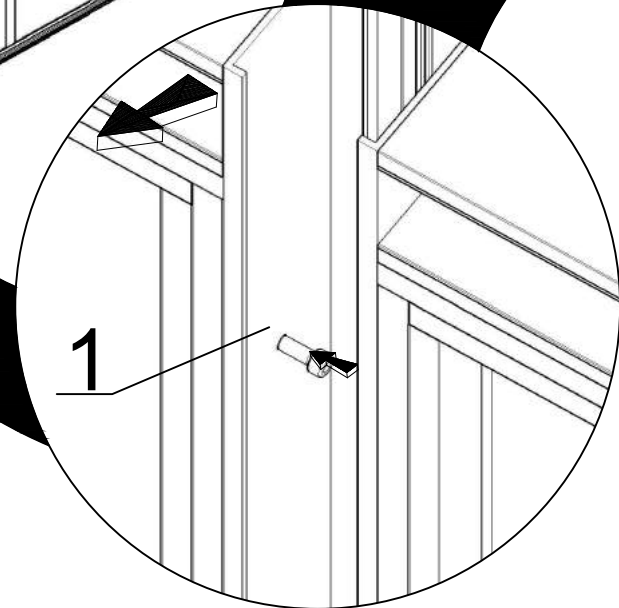
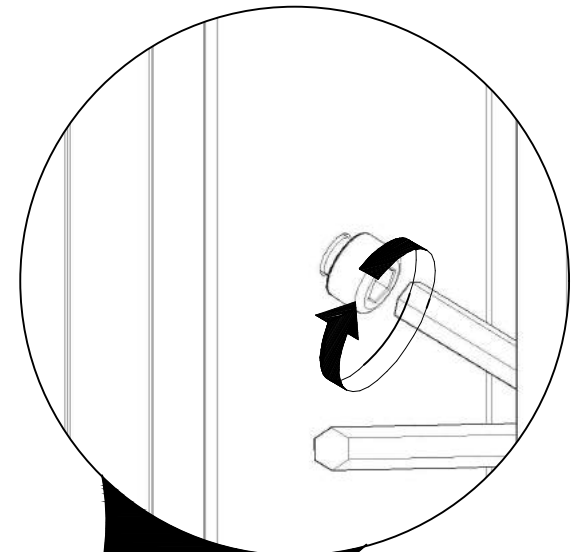
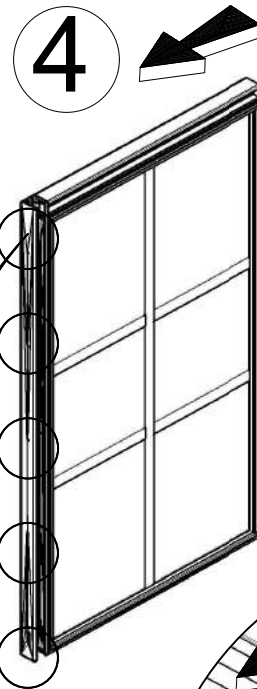
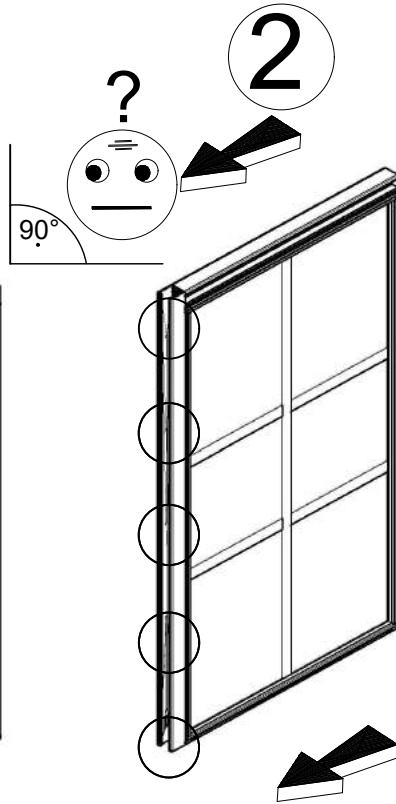
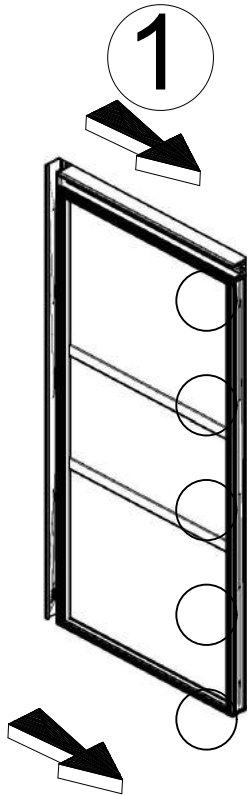
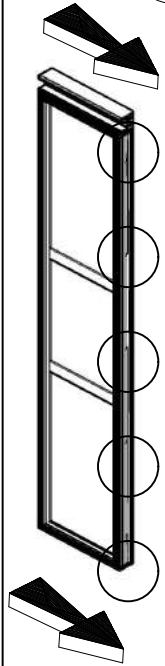
MIN 1,5M



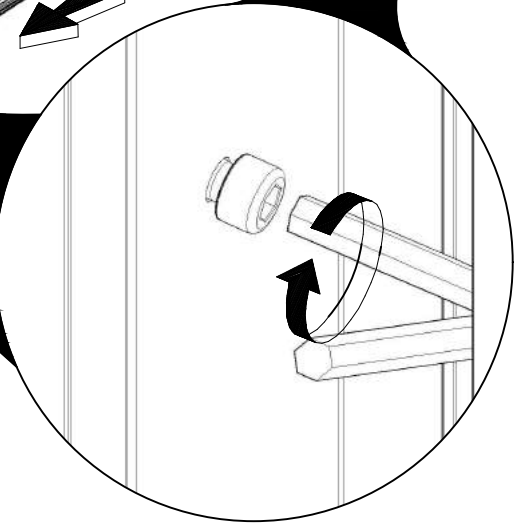
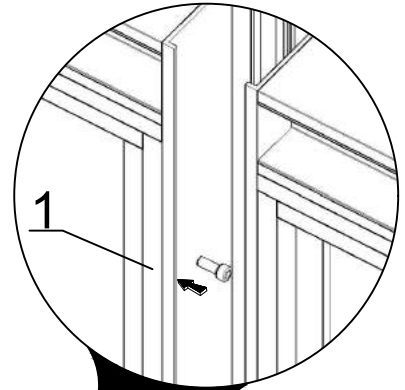
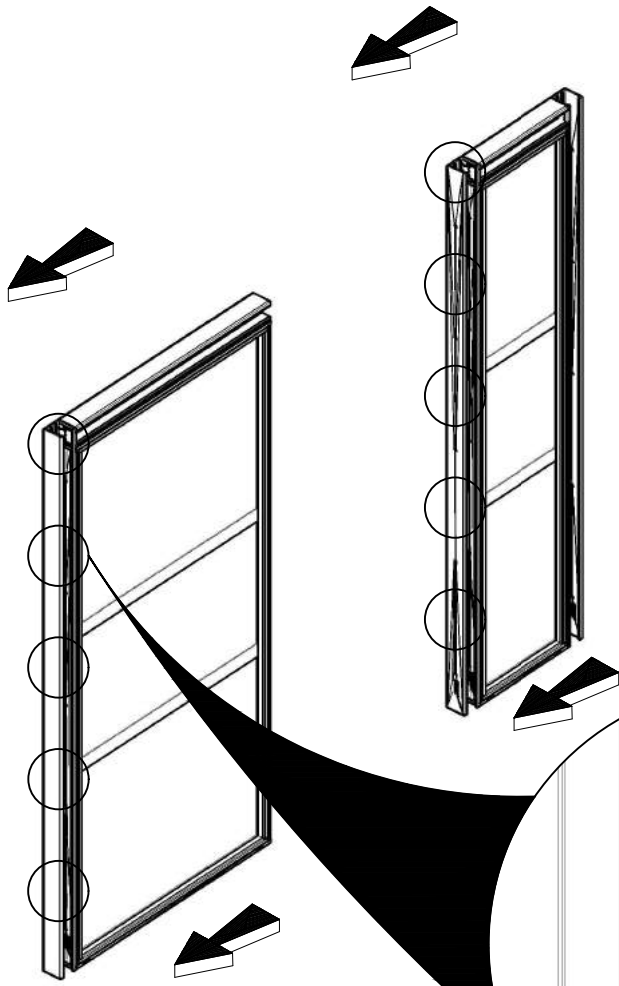
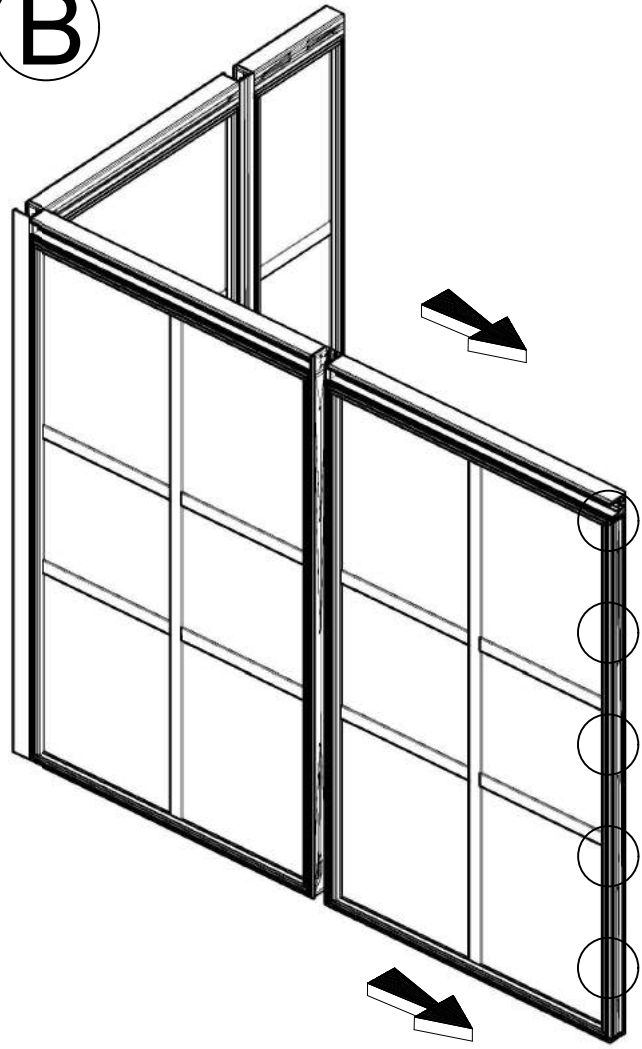


HK03

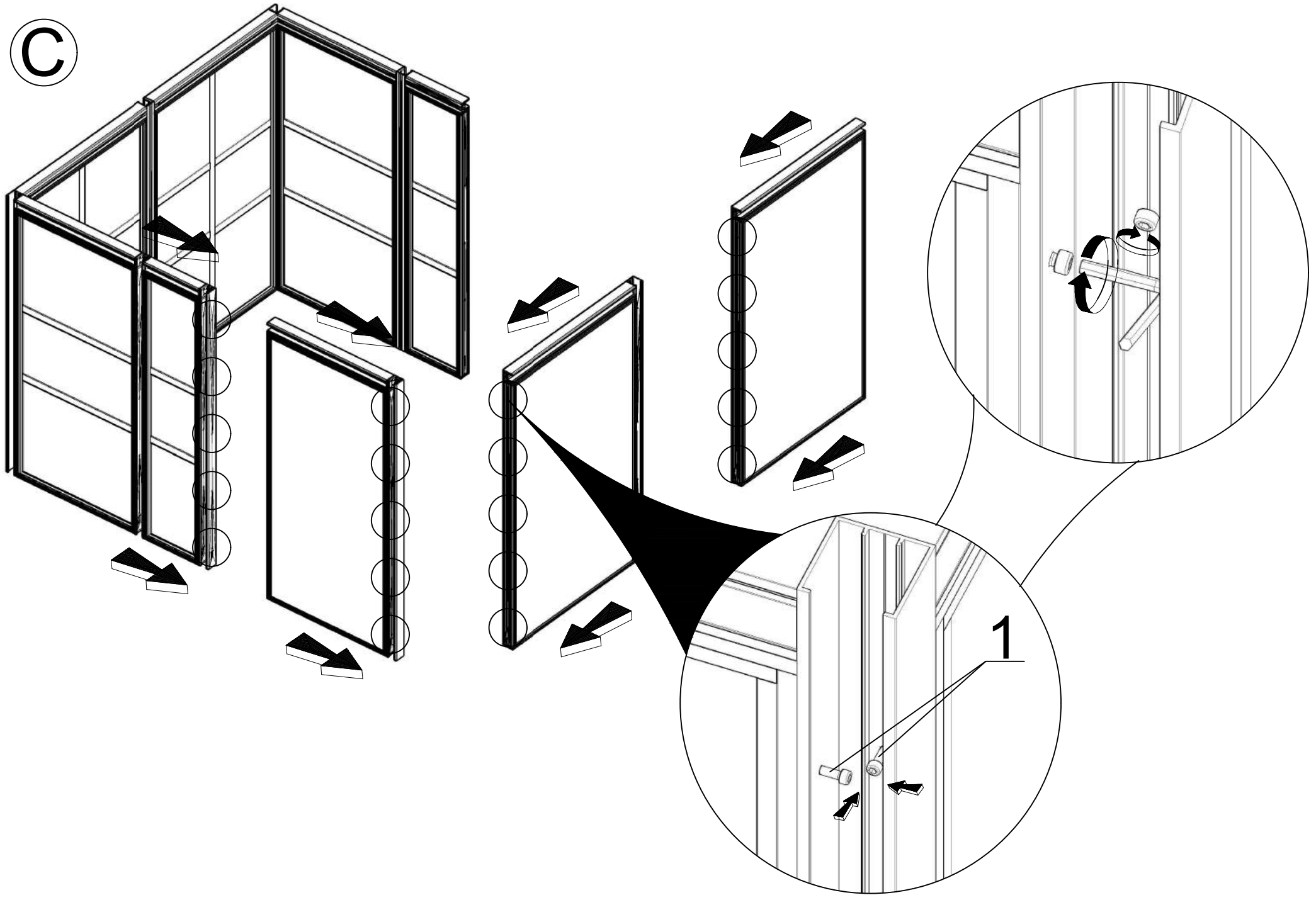
A 3



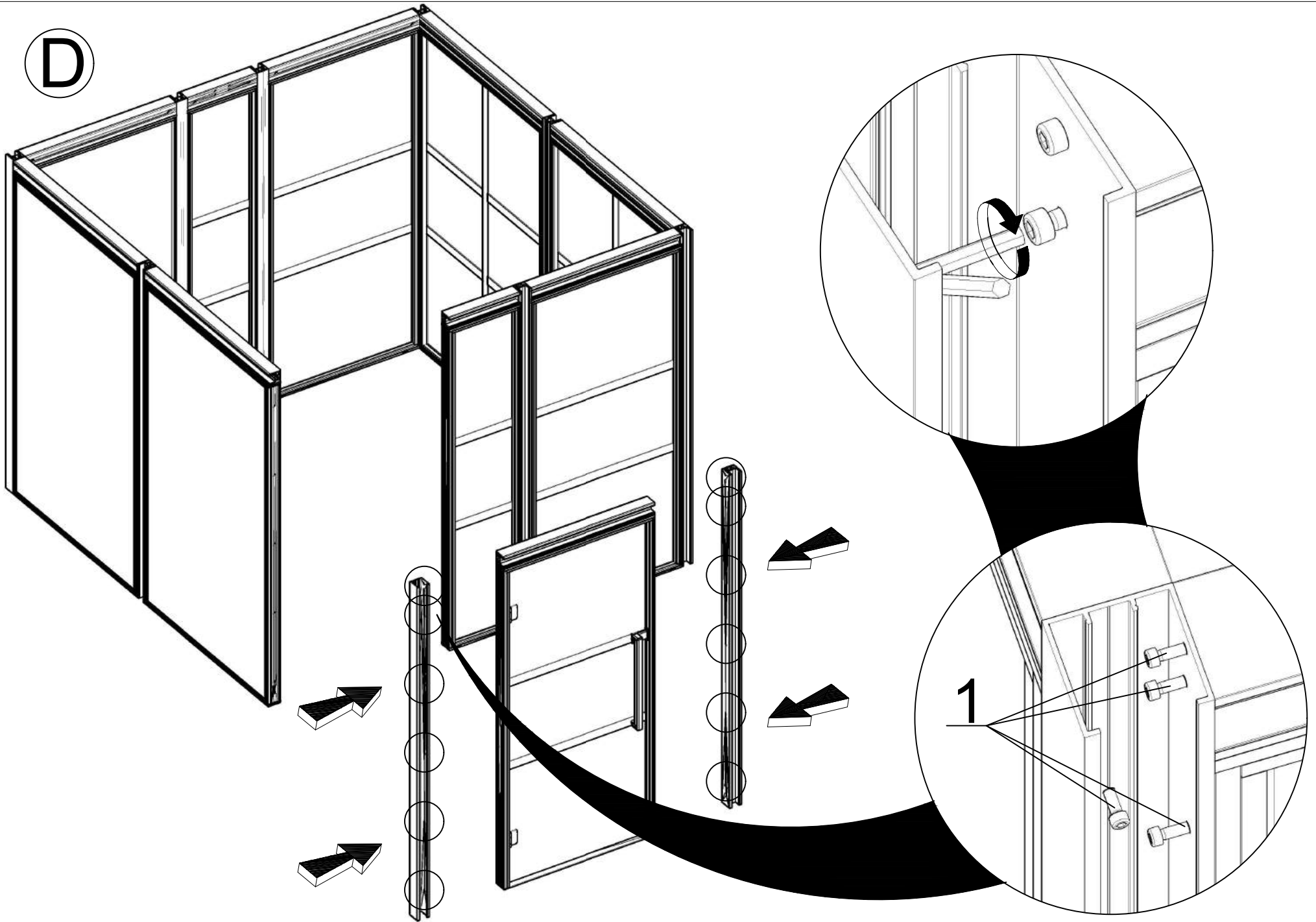
**B**



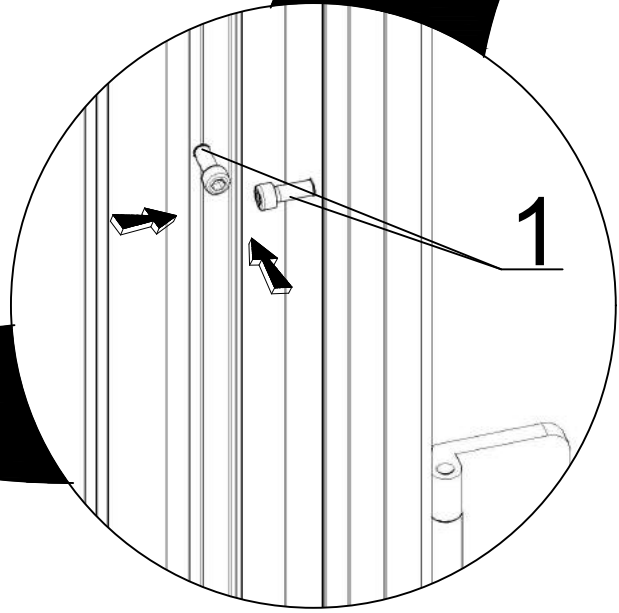
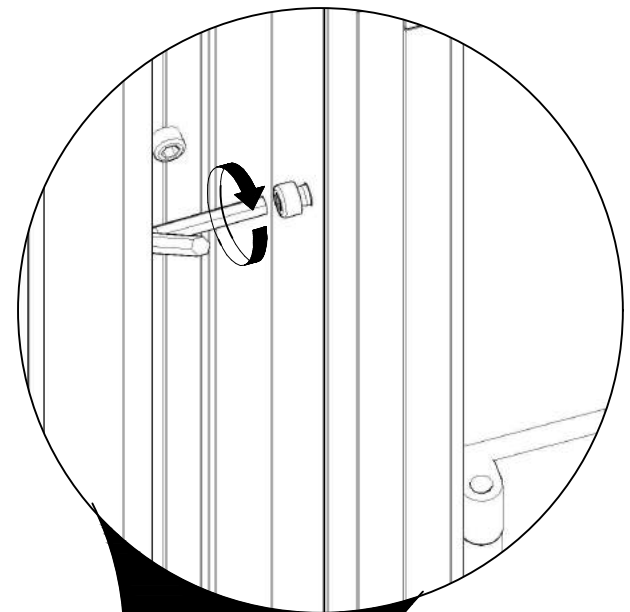
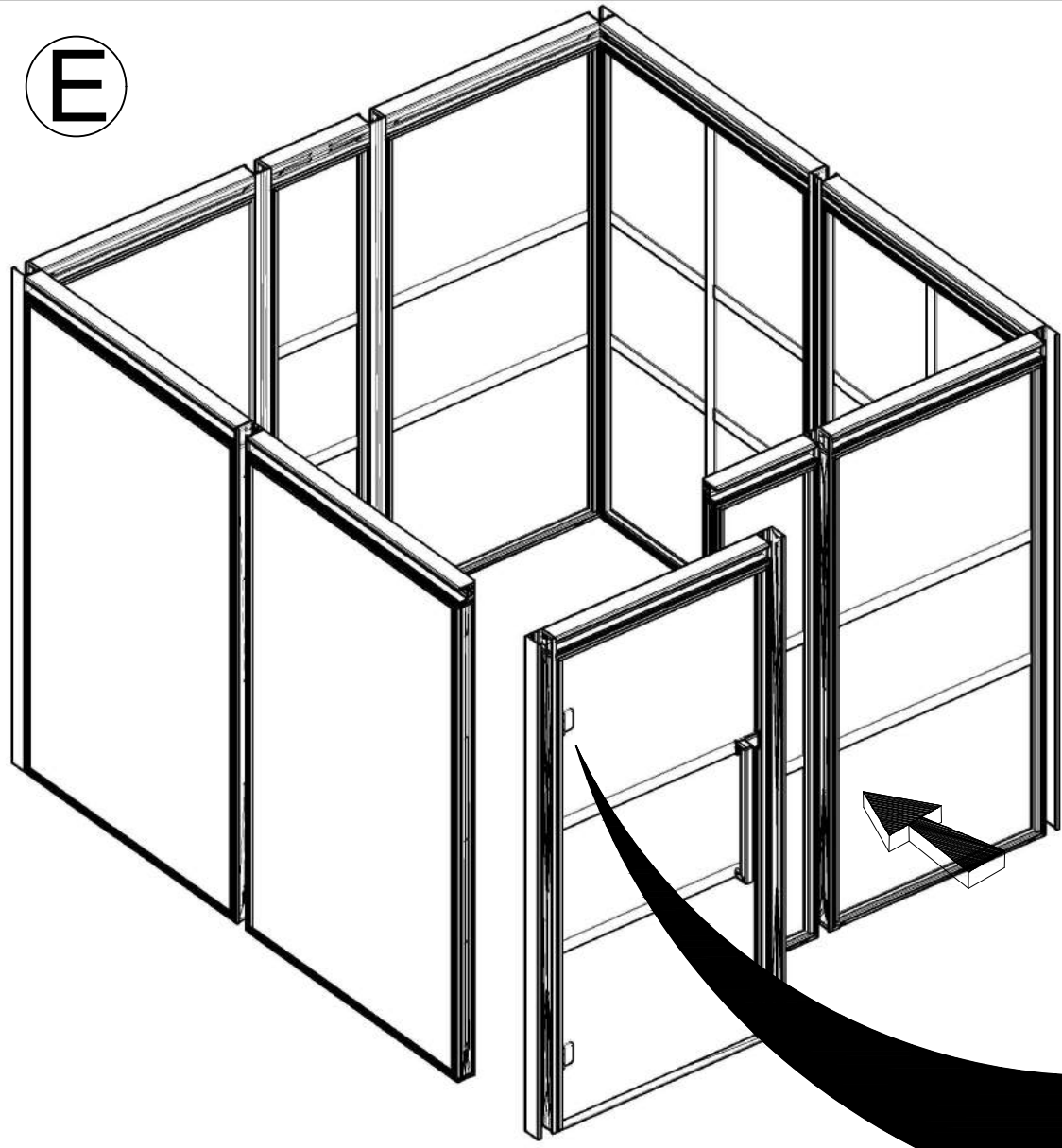
C



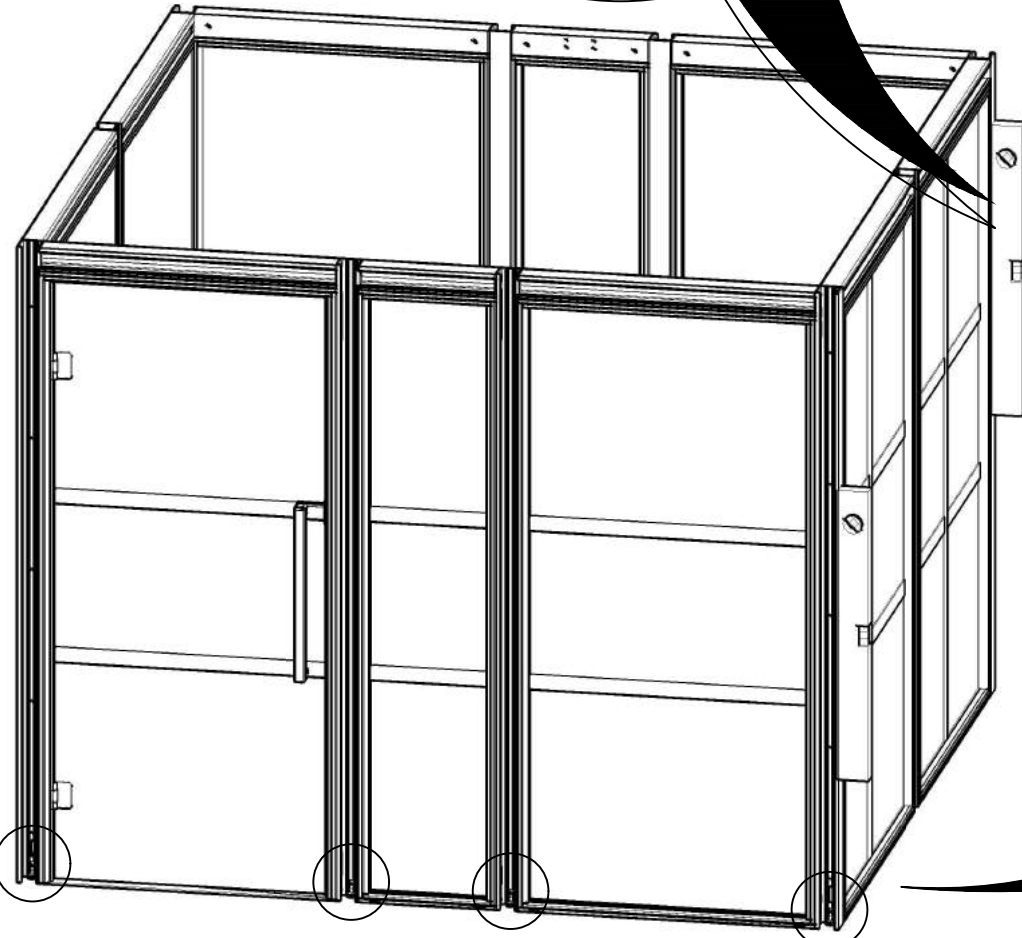
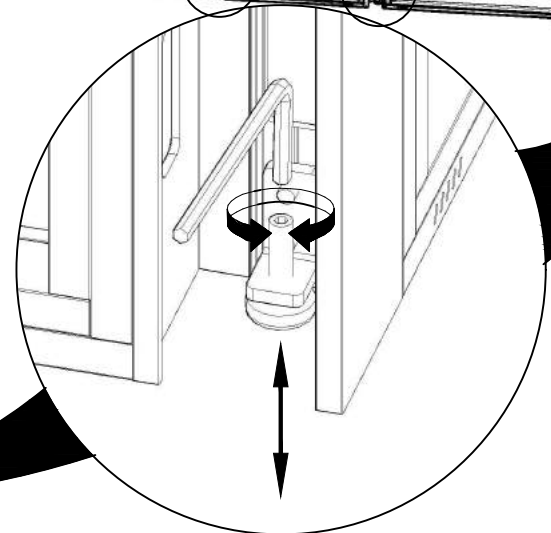
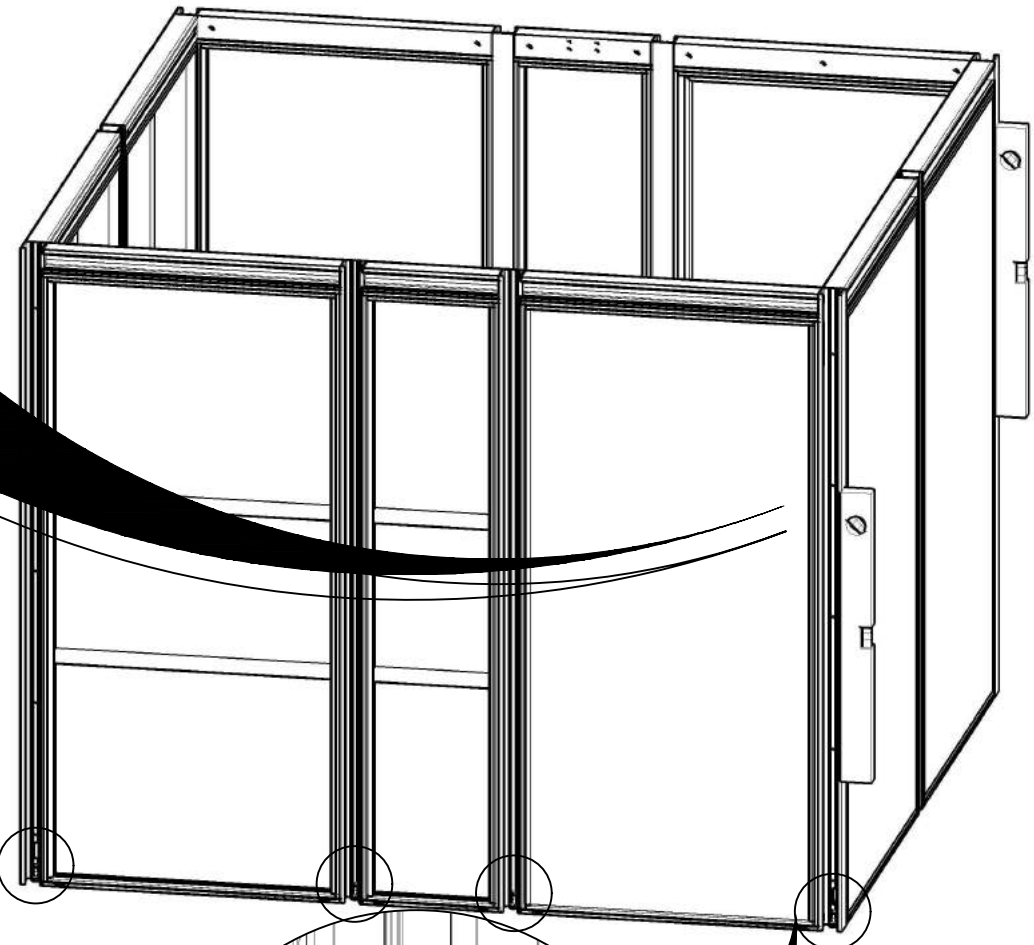
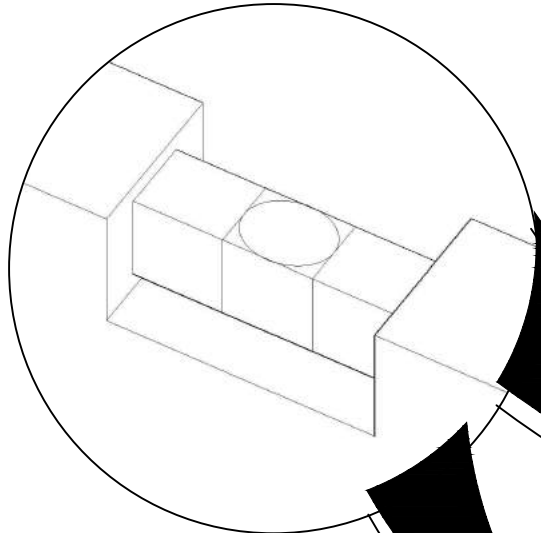
D



E

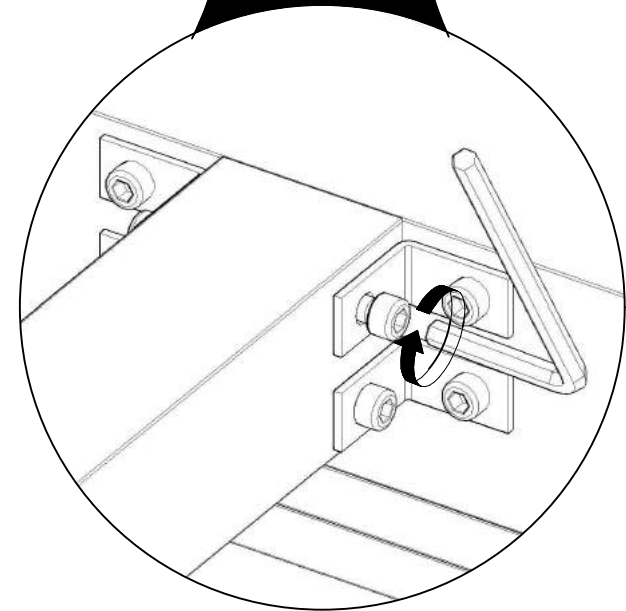
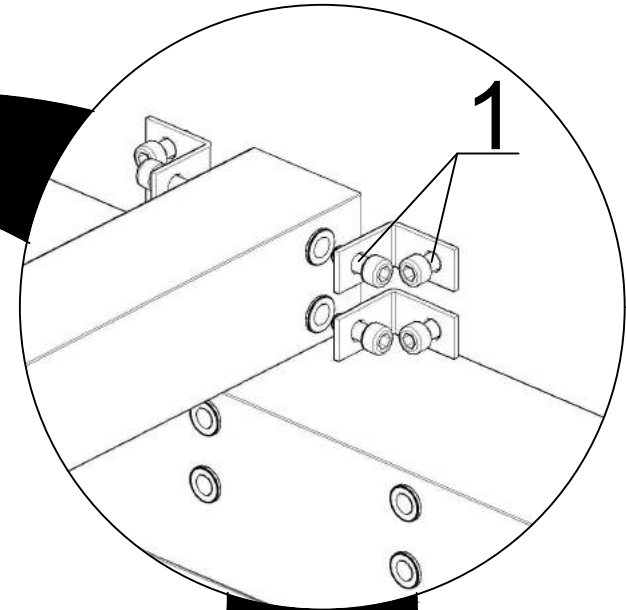
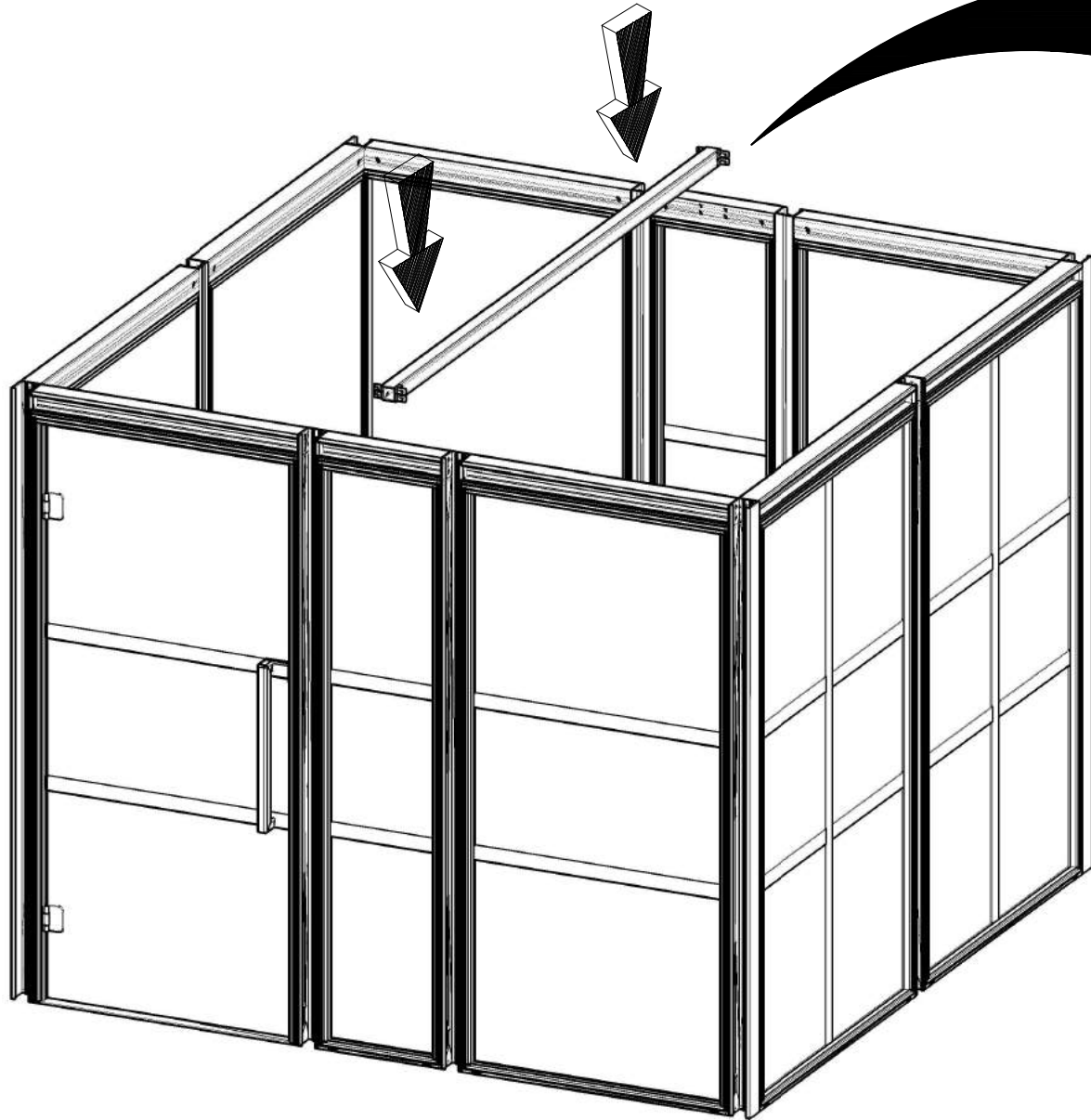


F

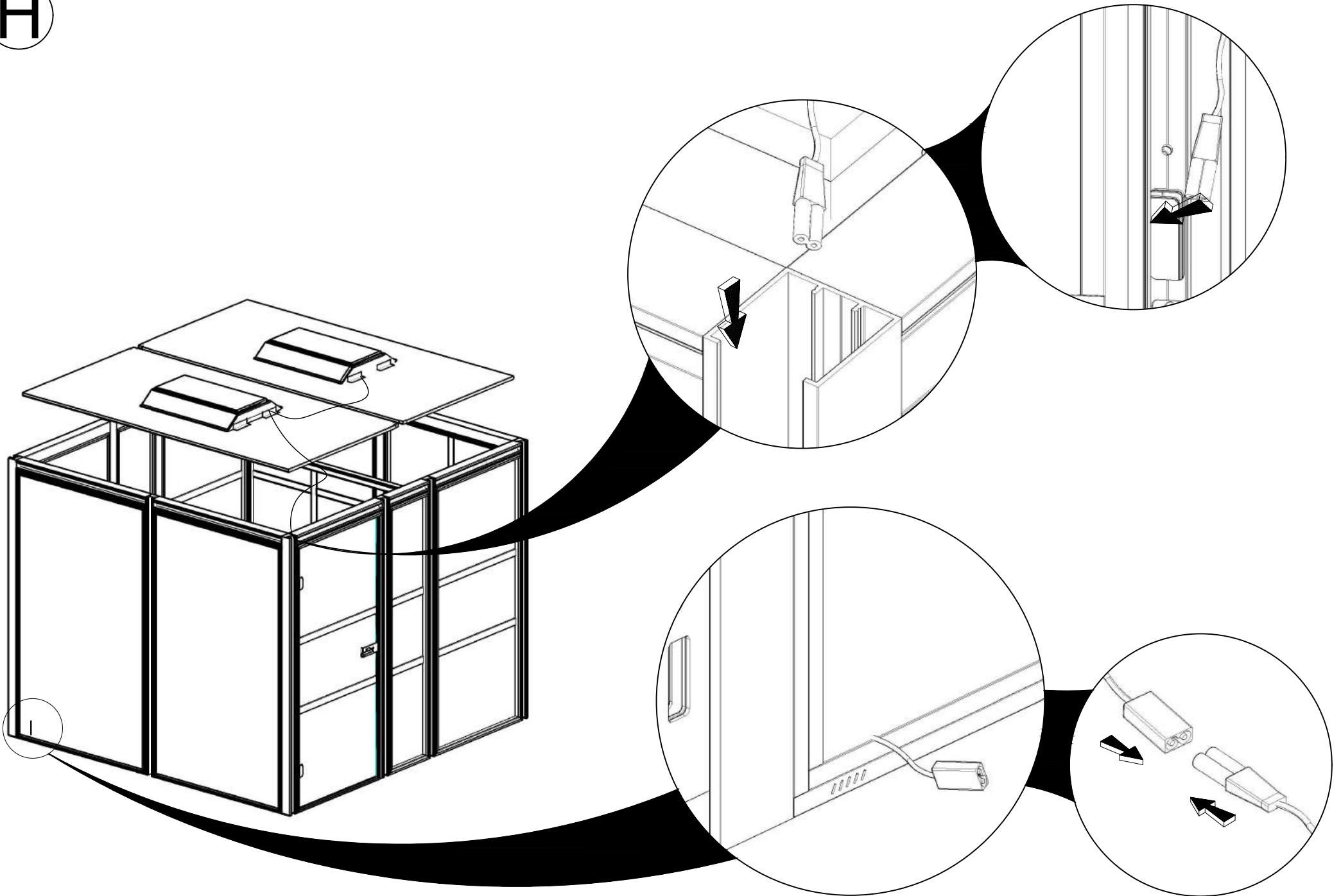




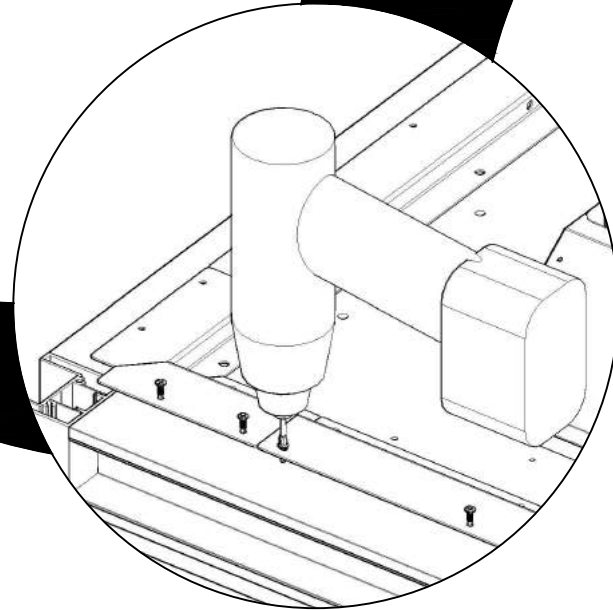
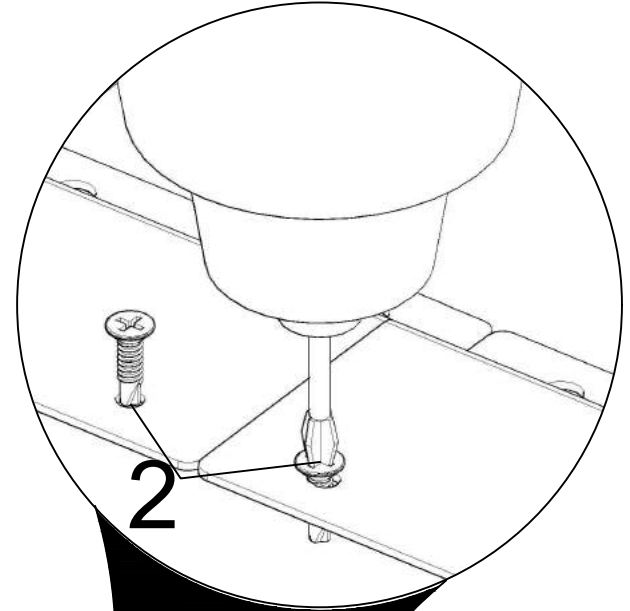
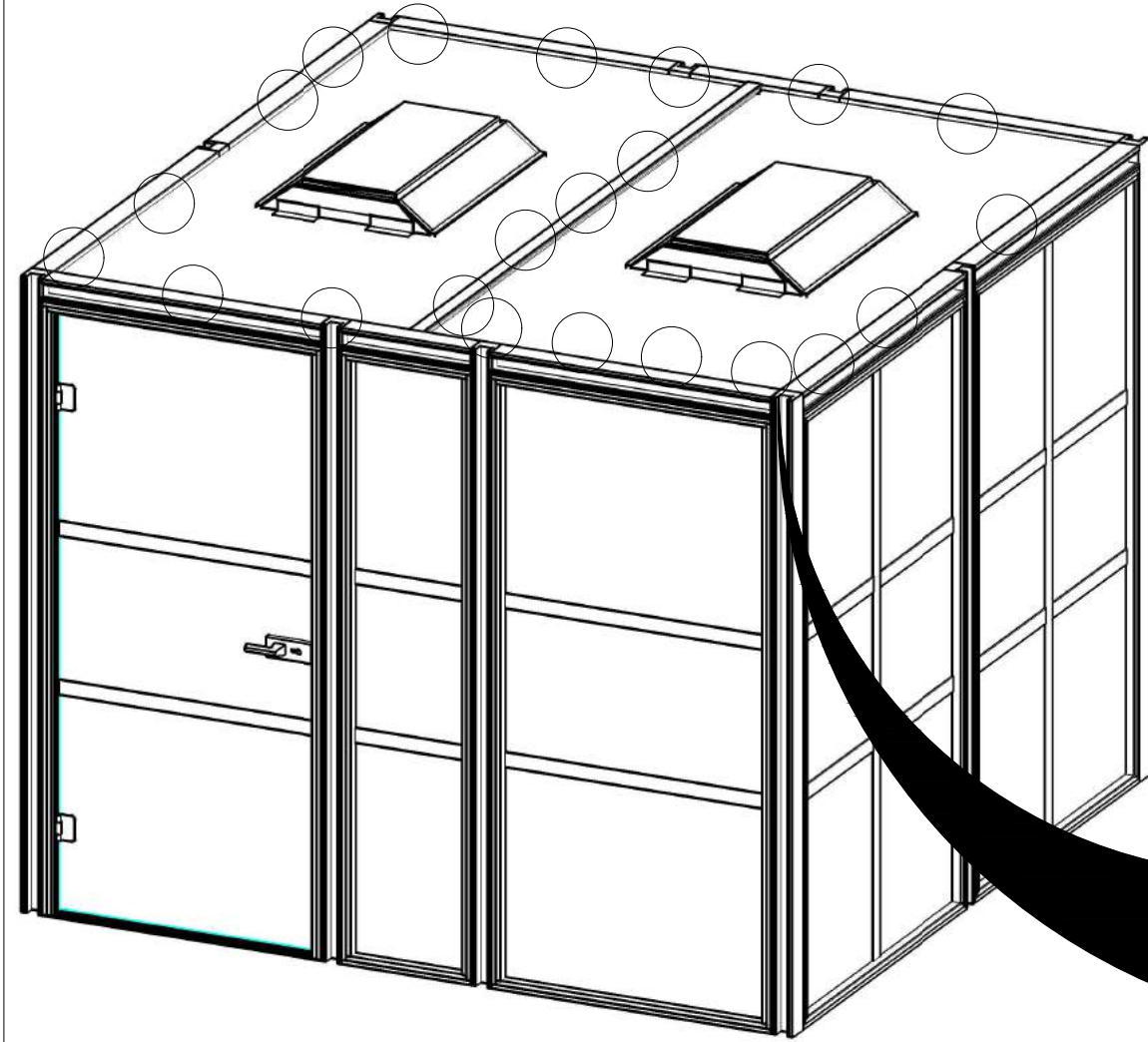
G



H



I



J

