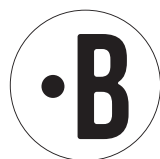
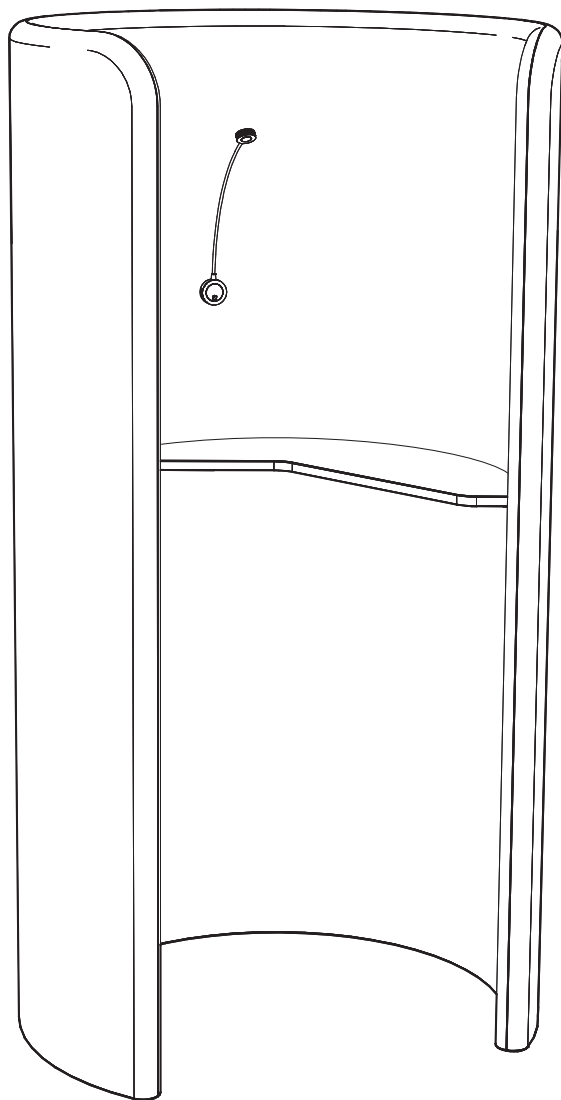
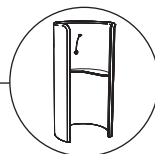


BuzziHug

INSTALLATION MANUAL



BuzziHug



1 PERS.

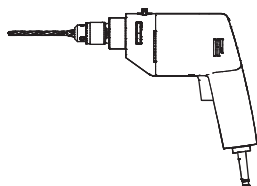
Excluded



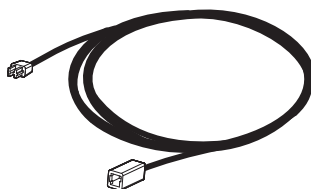
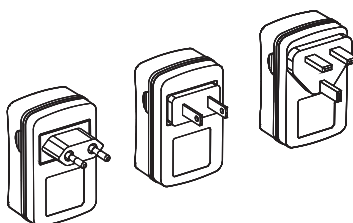
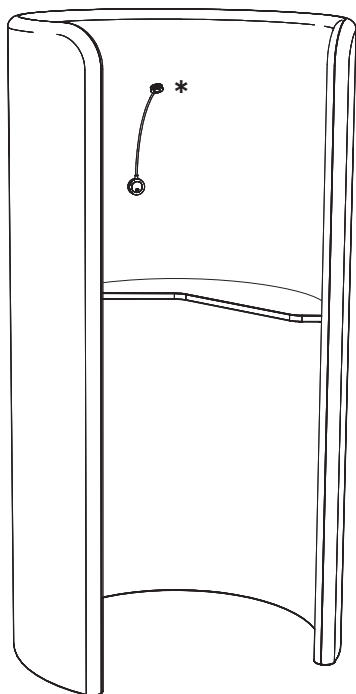
2x



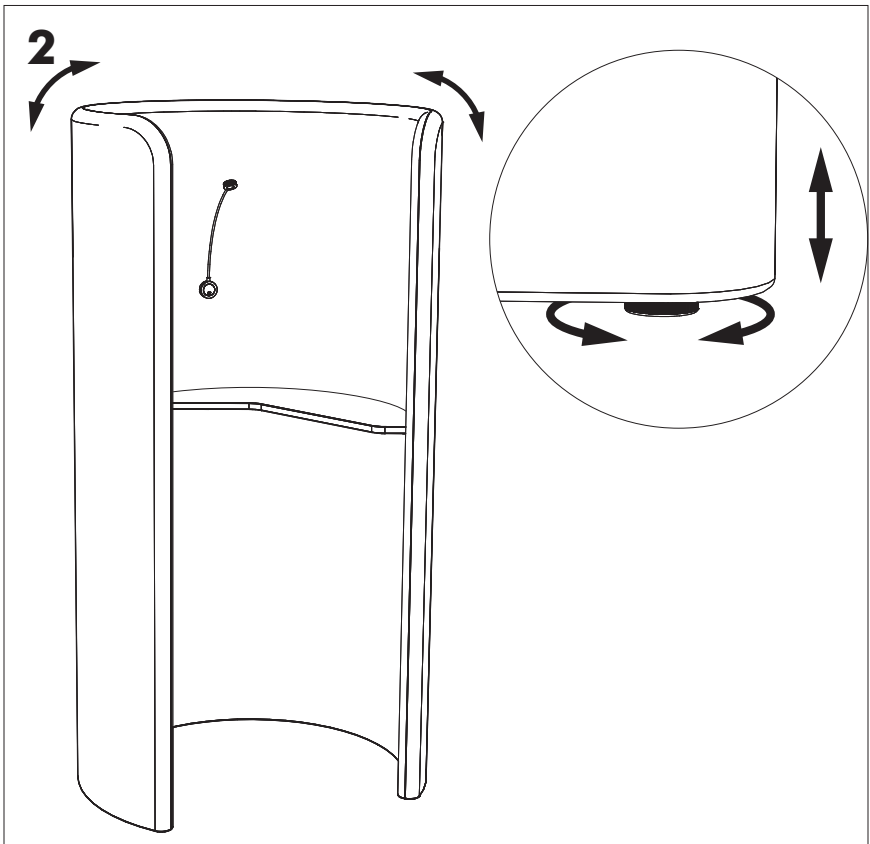
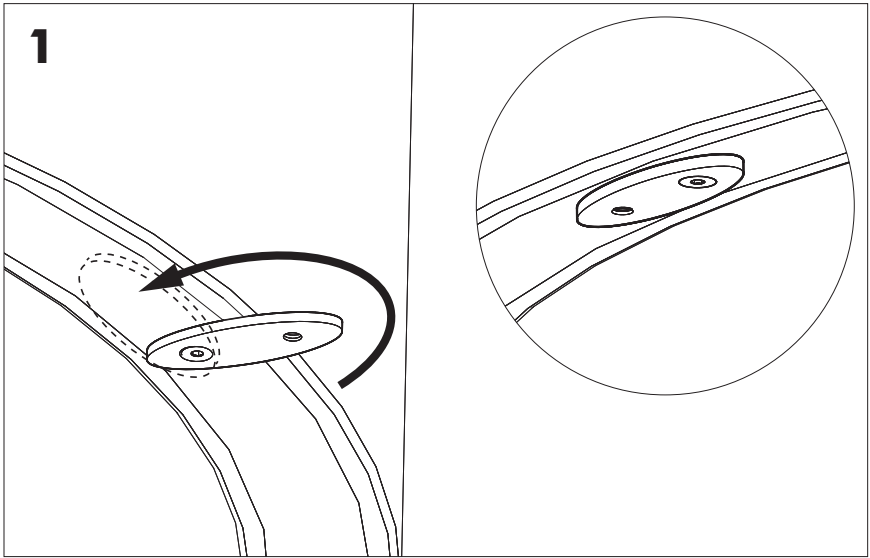
2x



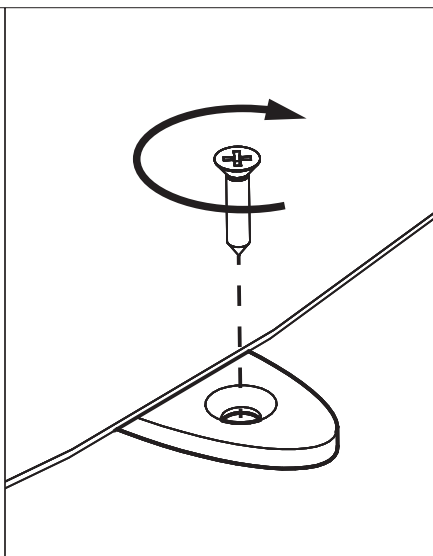
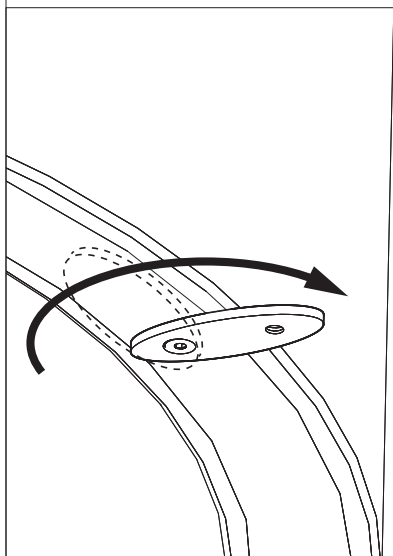
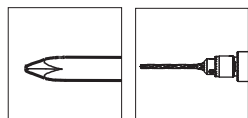
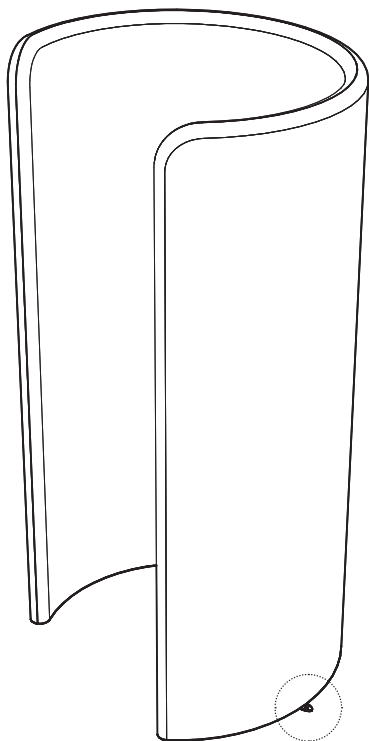
Included



*Optional LED Light

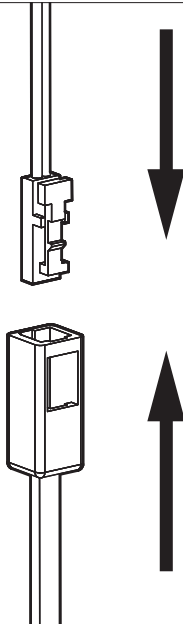


! Optional Step

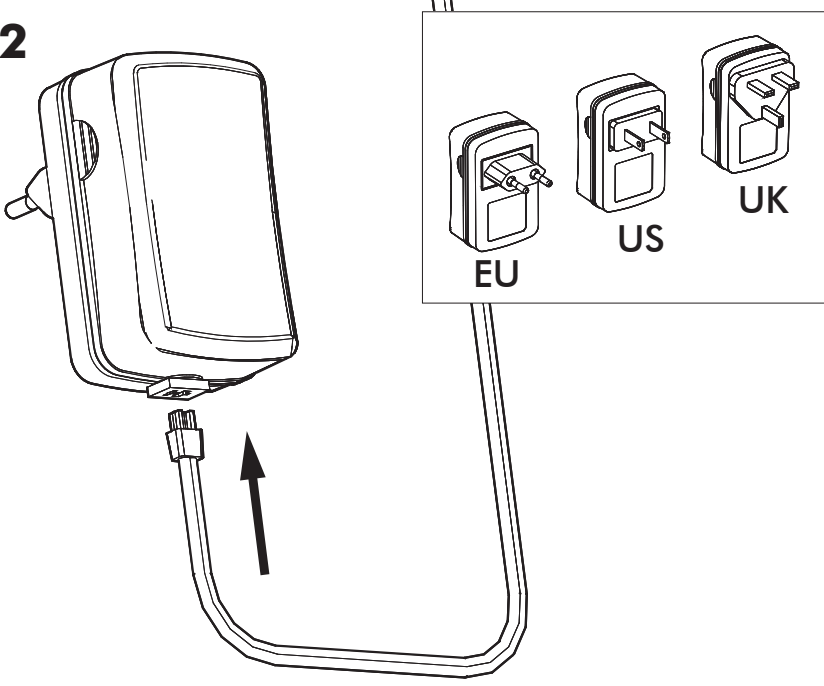


Optional LED Light

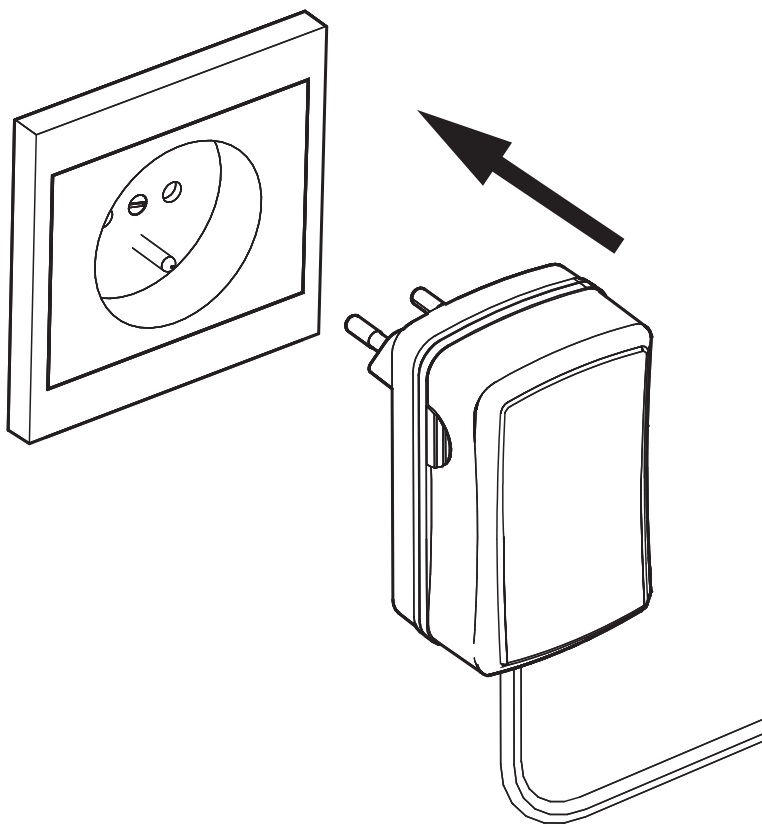
1



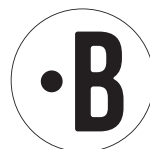
2



3



BuzziSpace
Groeningenlei 141
2550 Antwerp, Kontich
Belgium
☎ +32 (0)3 846 10 00
✉ info@buzzi.space
🌐 www.buzzi.space



Doc nr.: A-0000011501
Last update: 22/02/2021