

Instructions

Journey SHY1 Signe Hytte 2018



Please read these instructions carefully and retain them for future reference to ensure the product is used correctly. For your own safety, please study each step of this instruction manual first. &Tradition is not responsible for any faults or damage caused by not following these instructions correctly. Do not modify this product in any way. If you have any questions or comments, please do not hesitate to contact us by mail on: info@andtradition.com

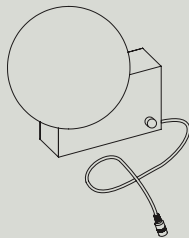
&Tradition®

Jorunej SHY1

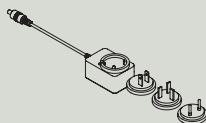
Signe Hytte

2018

A



B



Safety precautions

- Dispose of plastic bag from packaging immediately and keep out of reach of children.
- The lamp is only intended for interior use.
- Do not place the cable within reach of small children or anywhere there is a risk of it becoming a trip hazard.
- If the external cable or cord of the lamp is damaged, it must be replaced by the manufacturer or a similarly qualified person to avoid any potential hazards.
- Consult a professionally qualified electrician if in any doubt.
- The light source contained in this luminaire shall only be replaced by the manufacturer or his service agent or a similar qualified person
- To reduce the risk of strangulation the flexible wiring connected to this luminaire shall be effectively fixed to the wall if the wiring is within arm's reach

Contents

A Lamp

B Transformer with interchangeable plugs

This product contains a light source in energy class G

Tools needed

This lamp can be used both as a table lamp and as a wall lamp. If you choose to install it as a wall lamp the following tools are needed.

- Screws and plugs (for the specific wall type)
- Electric drill
- Screwdriver

Cleaning instructions

- Wipe surface of the shade with a dry cloth.
- Do not use any abrasive cleaning tools such as steel wool, scouring sponges or stiff brushes.
- Never use strong cleaning agents such as white spirit, turpentine, household glass cleaner or cellulose thinners.

04/23

For indoor use only
Built-in LED (non replaceable)
220-240V

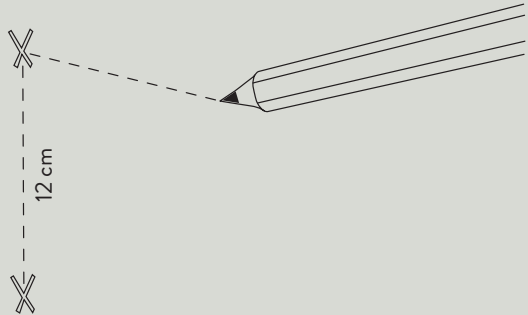


&Tradition®

Please follow steps 1 to 4 for installation of the product on wall.

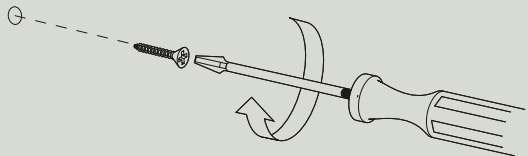
Step 1 / 4

In order to use the lamp as a wall lamp, two screws or hooks are needed. Choose where the lamp shall be placed on the wall and mark it with a pencil. With a ruler and a spirit level, measure a 12 cm distance in a vertical line and mark where the second screw or hook is to be placed.



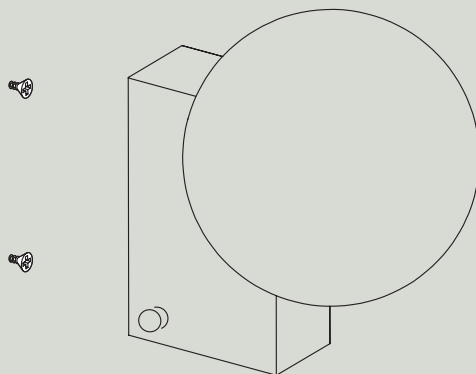
Step 2 / 4

Drill holes on the marks and insert the correct type of screws and plugs, appropriate for the wall of installation.



Step 3 / 4

The lamp is now ready to be installed by placing the holes in the lamp base over the screws.



Step 4 / 4

Adjust the light intensity to desired level by turning the dimmer on the side

