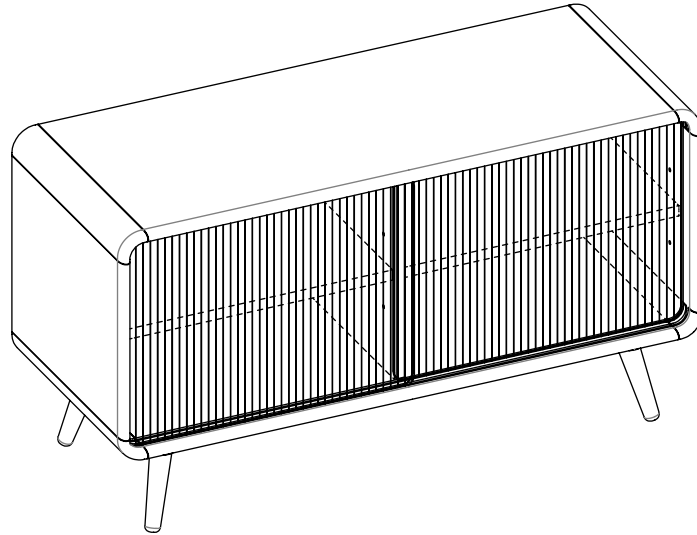


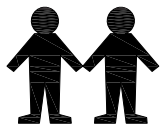
Thank you for purchasing this Sideboard Rise Medium. Please read the instructions carefully before use to ensure safe and satisfactory operation of this product.



Pre-assembly preparation

Please ensure instructions are read in full before attempting to assemble this product.

People to assemble



Tools required



Please check the pack contents before attempting to assemble this product. A full checklist of components is given in this leaflet. If any components are missing, please contact the retailer from whom you bought this product.

This product is **HEAVY**, it should be assembled as near as possible to the point of use. **TAKE CARE WHEN LIFTING** to avoid personal injury and (or) damage to the product.

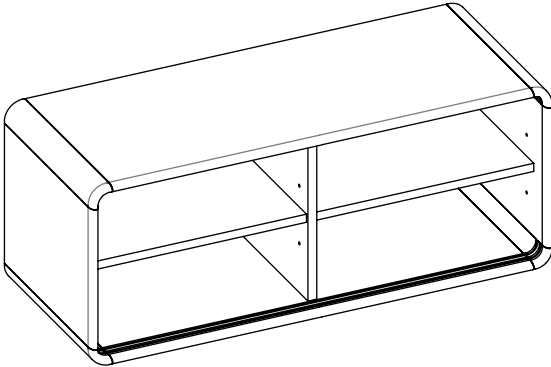
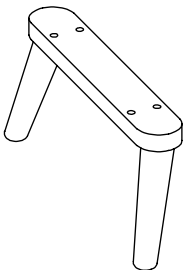
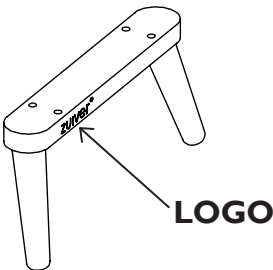
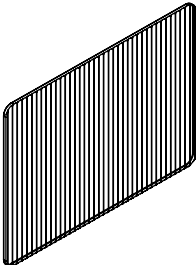
This product takes approximately **15 MINUTES** to assemble with **2 PEOPLE**.

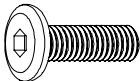
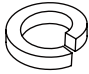
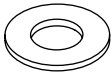

The fittings pack contains **SMALL ITEMS** which should be **KEPT AWAY FROM YOUNG CHILDREN**.

Read this leaflet in full before commencing assembly.

PLEASE KEEP THESE INSTRUCTIONS FOR FUTURE REFERENCE

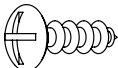


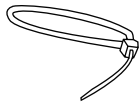
Fittings and parts checklist

Parts checklist				
1	Cabinet x1			
2	Left leg frame x1		3	Right leg frame x1
				
4	Reeded glass door x2			

Fitting checklist				
A	Bolt x8 M6x30mm		B	Spring washer x8 M6-Ø10mm
				
C	Flat washer x8 M6-Ø13mm		D	Allen key #4 x1
				

Wall fixing fittings

Store in separate fittings bag

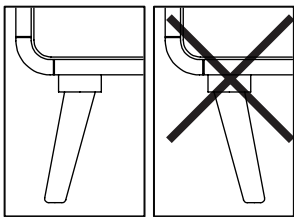
E	Screw x2 Ø3.5x16mm		F	Small flat washer x4 Ø9x1.0mm
				
G	Plastic loop bracket x4		H	Cable tie x2
				

Step by step assembly instructions

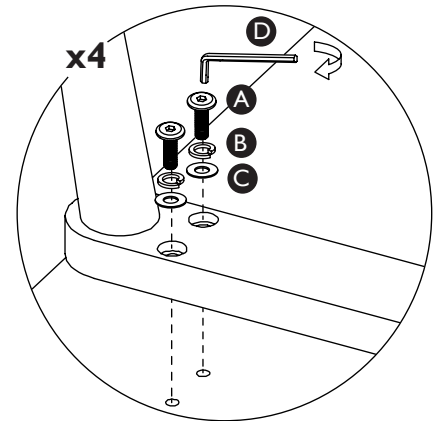
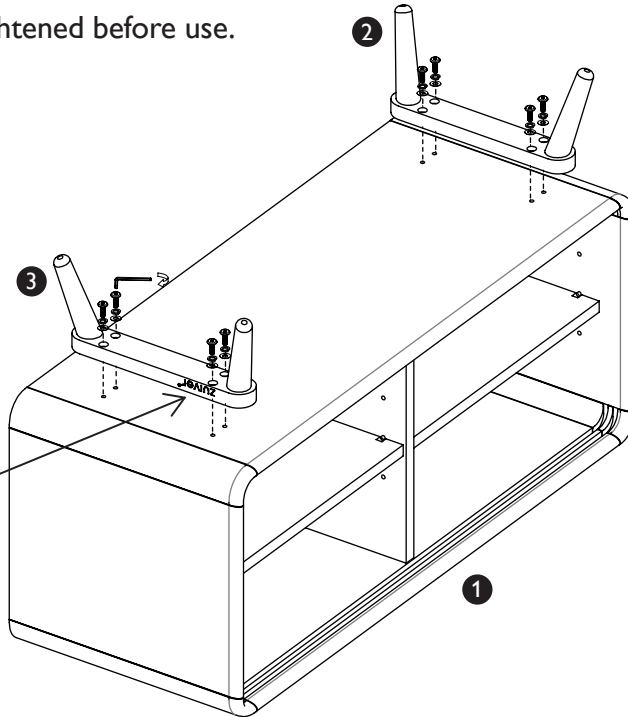
Step 1

With 2 people, carefully place the cabinet (Part 1) upside down on a soft, flat surface near where the unit will be used. Locate the leg frames (Part 2&3) as shown below then secure using the bolt (Part A), spring washer (Part B), flat washer (Part C). To speed up assembly, first screw in the bolts by hand then tighten fully using the Allen key (Part D).

Ensure all bolts are fully tightened before use.

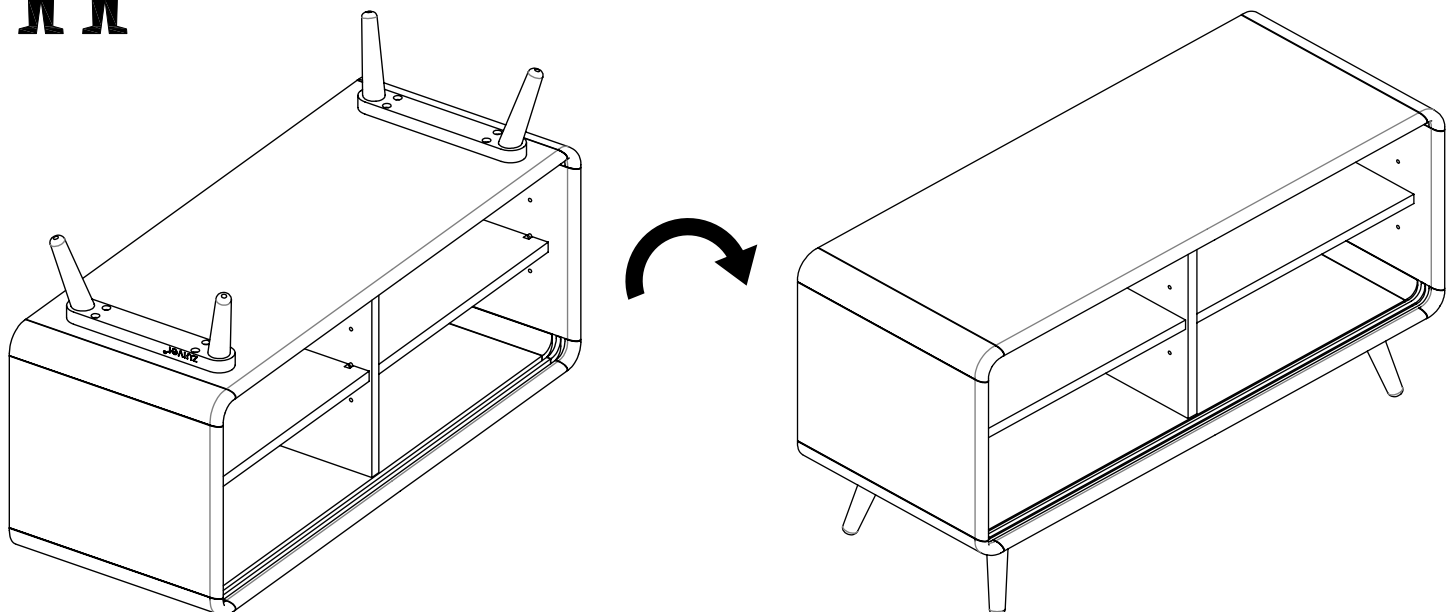


Note: Ensure the LOGO is on the **front** of the cabinet and is visible on the **outer side**.



Step 2

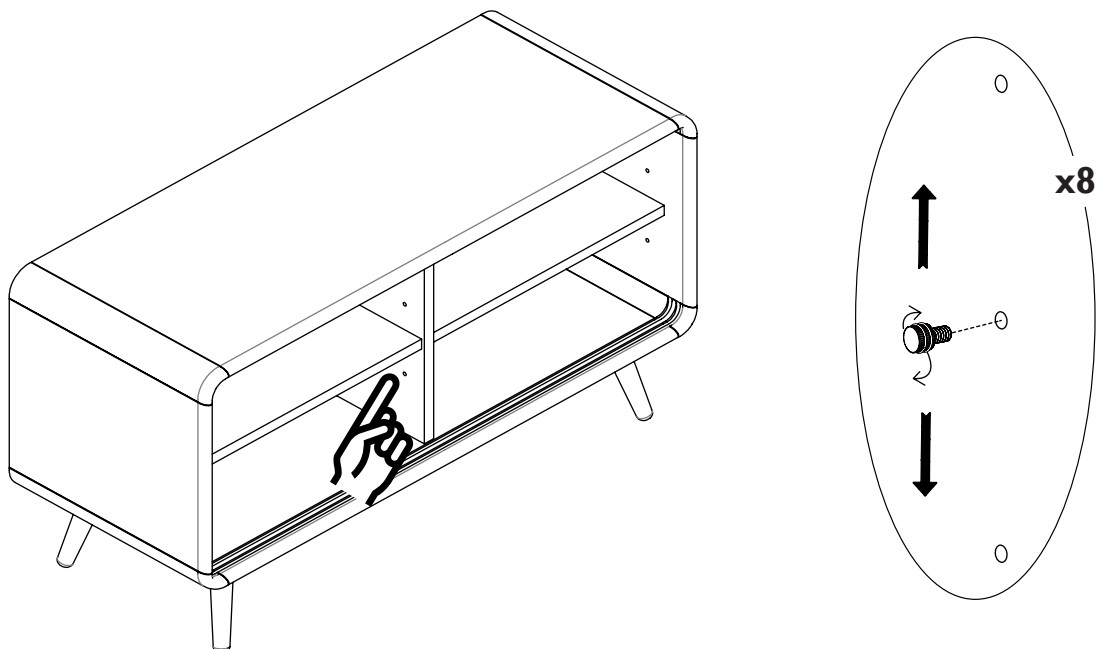
With 2 people, carefully turn the product over and place in position. Do not drag the product when moving, must be lifted to prevent damaging the legs!



Step by step assembly instructions

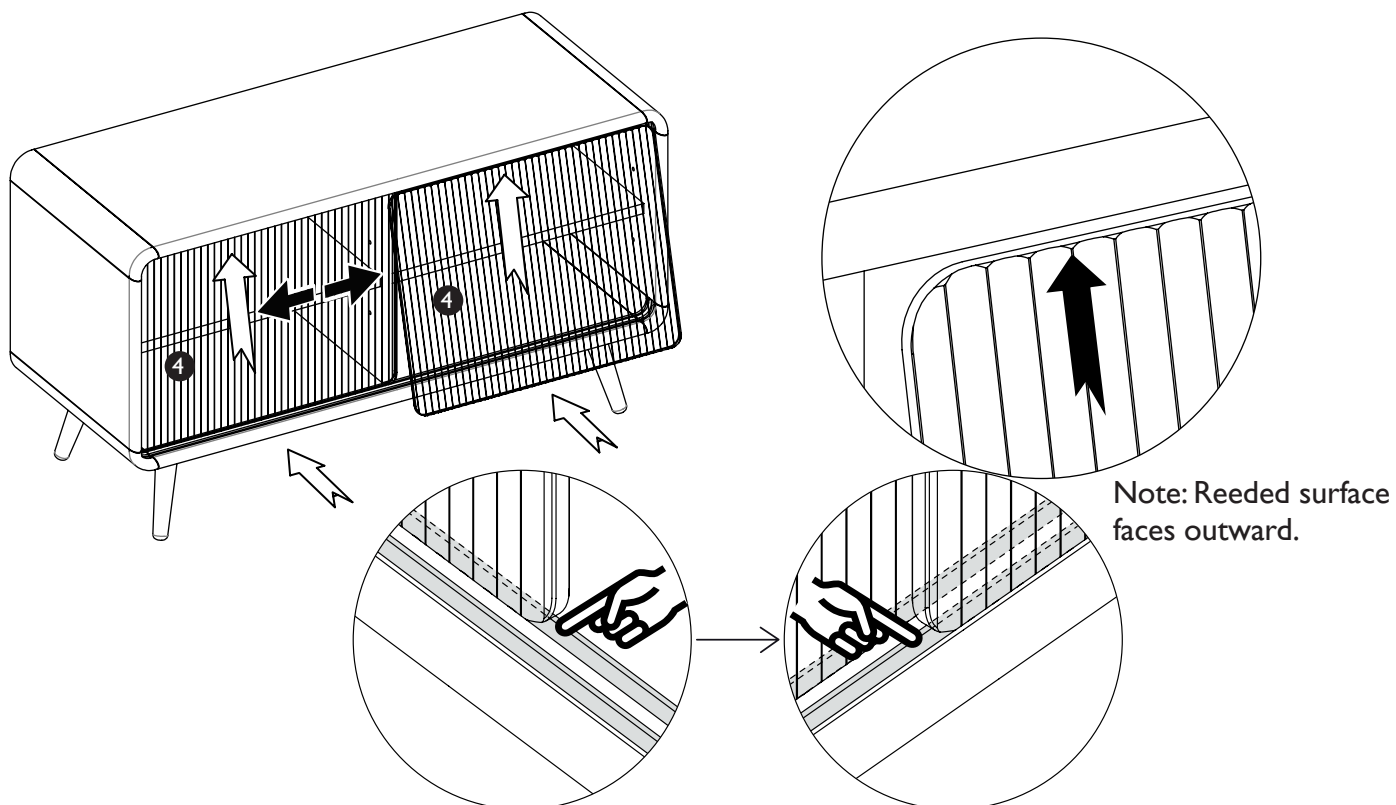
Step 3

Adjust the shelf supports into the desired height if need. After, re-locate the shelf onto shelf supports, as shown below.



Step 4

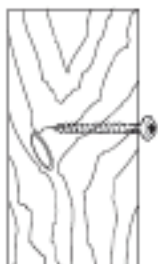
Locate the reeded glass door (Part 4) and carefully insert it into the designated slot as shown below.



Step by step assembly instructions

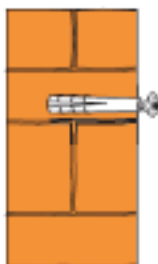
Wall fixing - if in doubt seek professional advice

Please ensure to use the correct size rawl plug when installing the wall bracket to a wall. If your wall is cavity construction or wood you may need to seek appropriate wall fixings.



Wood

If fixing to wood make sure that it isn't chipboard as screws can easily pull away from the core structure.



Brick or Masonry

Use an appropriate wall plug provided you are sure your wall is sound.

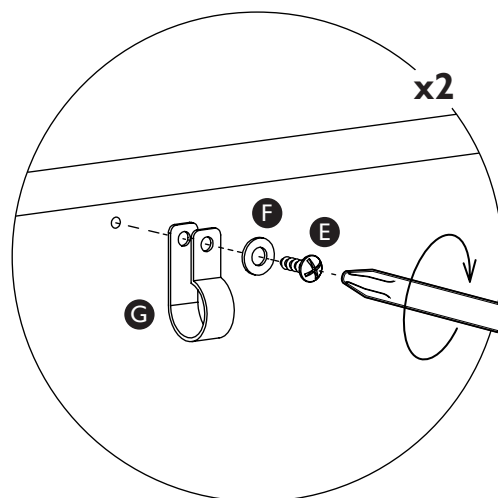
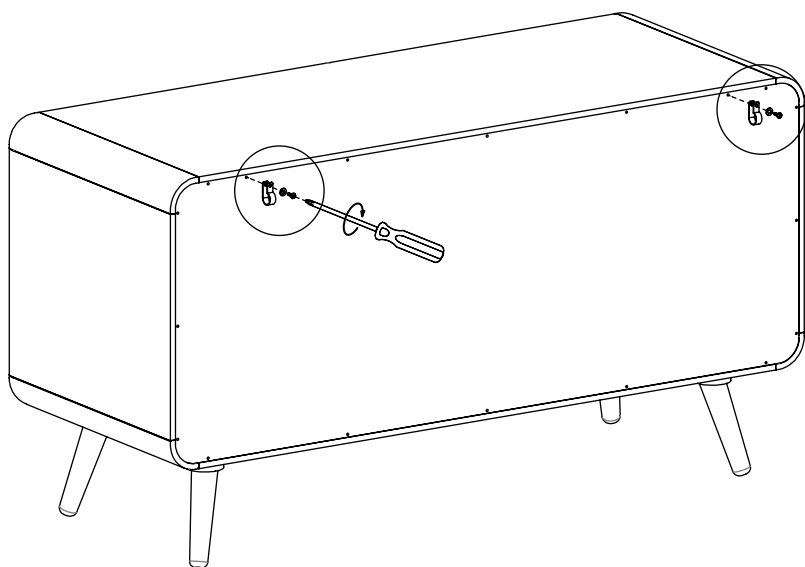


Cavity wall

Special toggle wall plugs are needed. Seek expert advice.

Step 5

With a screwdriver (not included), secure the plastic loop bracket (2x Part G) to the back of product using the screw (2x Part E) and flat washer (2x Part F) into the pre-drilled pilot hole, as shown below.

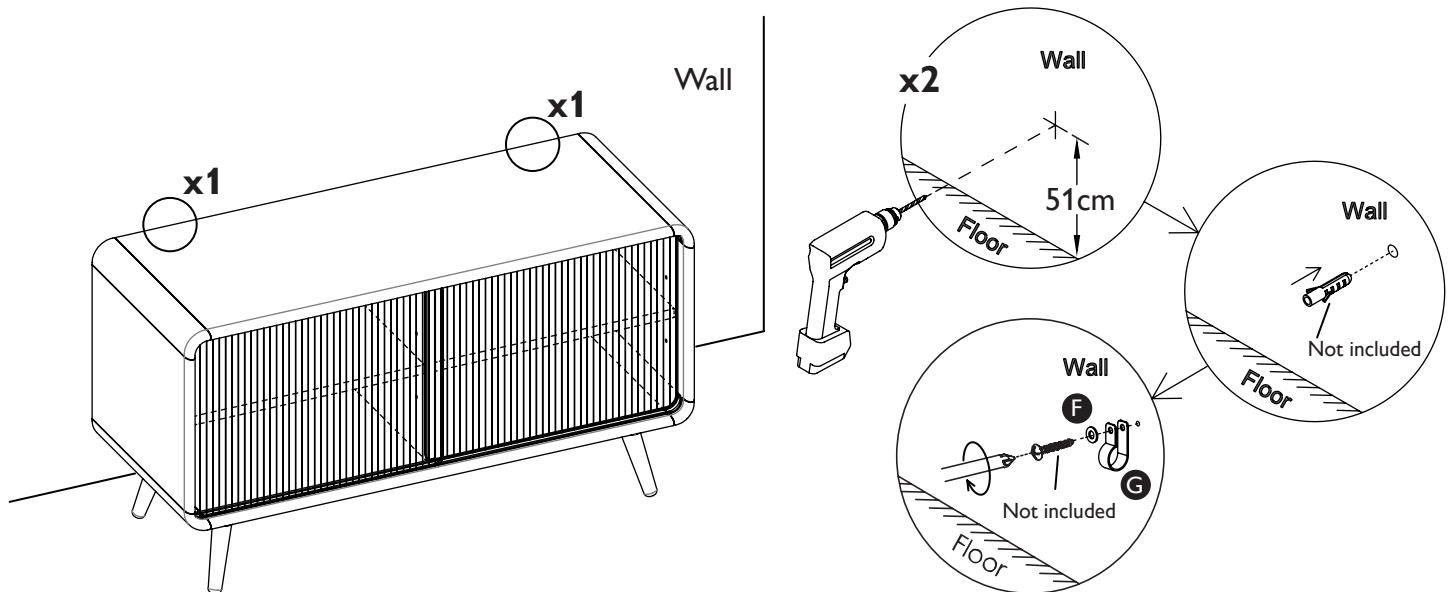


Step by step assembly instructions

Step 6

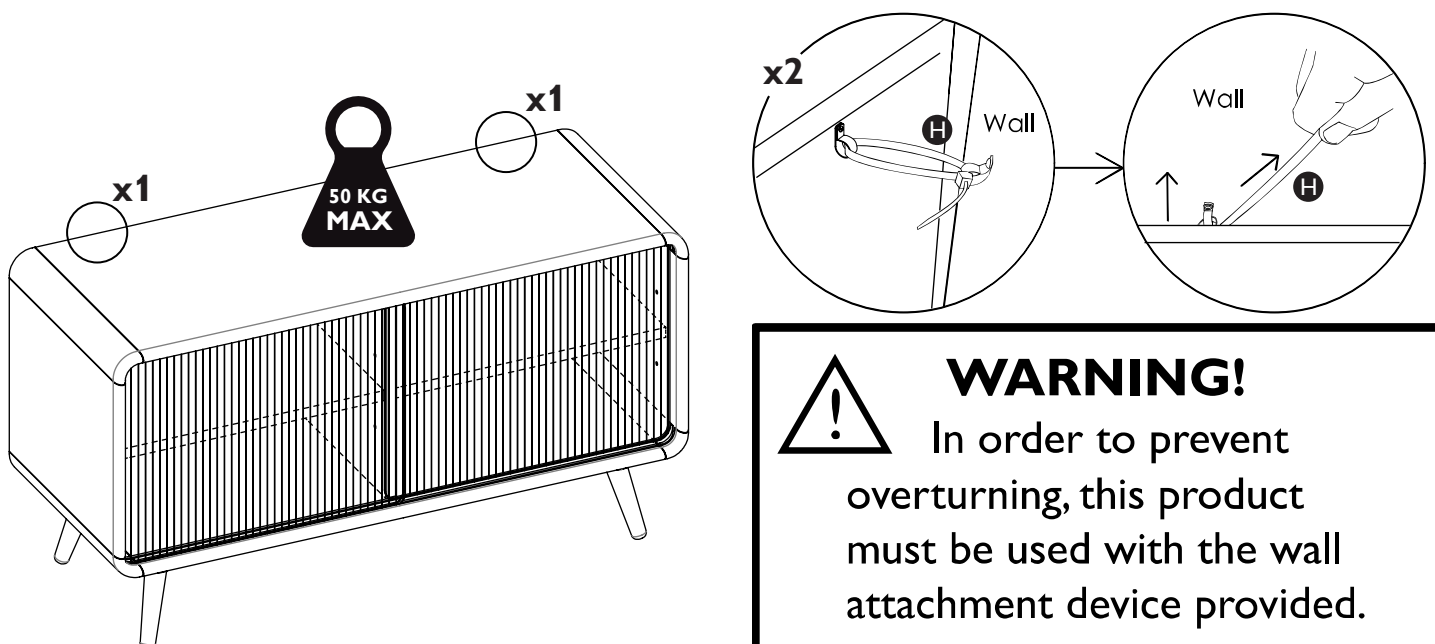
Before drilling, ensure the size of holes will be correct to fit the rawl plug (not included). Drill the hole according to the marked position and push the rawl plug (not included) into position, then with a screwdriver secure the plastic loop bracket (2x Part G) to the wall using the flat washer (2x Part F) and screw (not included), as shown below.

Warning: Ensure the area to be drilled is free from hidden electrical wires, water and gas pipes.



Step 7

Thread the cable tie (Part H) through the two plastic loop brackets (Part G) as shown below. Move the product back towards the wall and into position. Never drag furniture when moving it, always lift it. Tighten the cable tie (Part H) to secure in place.



Care and Maintenance

Wood furniture

- Wood displays different grain patterns depending on how it is cut. For example, the 'medullary rays' that can appear are a mark of good-quality timber. These are simply characteristics of the natural beauty of the wood. Some furniture is also deliberately aged and given a rustic finish.
- Wood veneers also allow distinctive patterns to be created on flat surfaces, such as table tops and drawer fronts by the way the slivers are arranged.
- All timber surfaces will change colour and mellow over time. New furniture will initially vary in shade from items that have been previously purchased.

How to care for your glass and wood furniture

- Furniture with a hard lacquer, wax polish or painted surface should be dusted with a dry cloth.
- Spray polishes are best avoided as they contain silicones which may spoil the furniture's surface by building up over time.
- Make sure all surfaces are protected from heat and liquids by mats and coasters. Wipe up spills immediately and ensure that a mat or pad is placed under paper if you are writing.
- Our furniture will endure most temperatures in the home but it is best to avoid placing furniture next to heat sources such as radiators or fires. Be particularly careful with solid wood as the lack of humidity caused by central heating can cause damage such as warping.
- For glass elements use glass cleaner or soapy water for cleaning, do not use anything abrasive as this may damage the surface of the product.

Safety instructions

- Never drag furniture when moving it, always lift it.
- Do not sit or stand upon this product.
- Periodically check all fixings to ensure none have come loose and re-tighten where necessary.
- Please take care when handling or moving the furniture, careless handling may cause damage or injury.
- Furniture can be dangerous if incorrectly installed. Assembly should be carried out by a competent person. No liability will be accepted for damage or injury caused by incorrectly installed or assembled furniture.
- It is recommended that before moving heavy objects to a new location they are completely dis-assembled to avoid personal injury or damage to the furniture. Please be careful to retain all fittings when doing this.
- **Maximum Load Capacity:** 50kg for the top surface.

Glass furniture warning

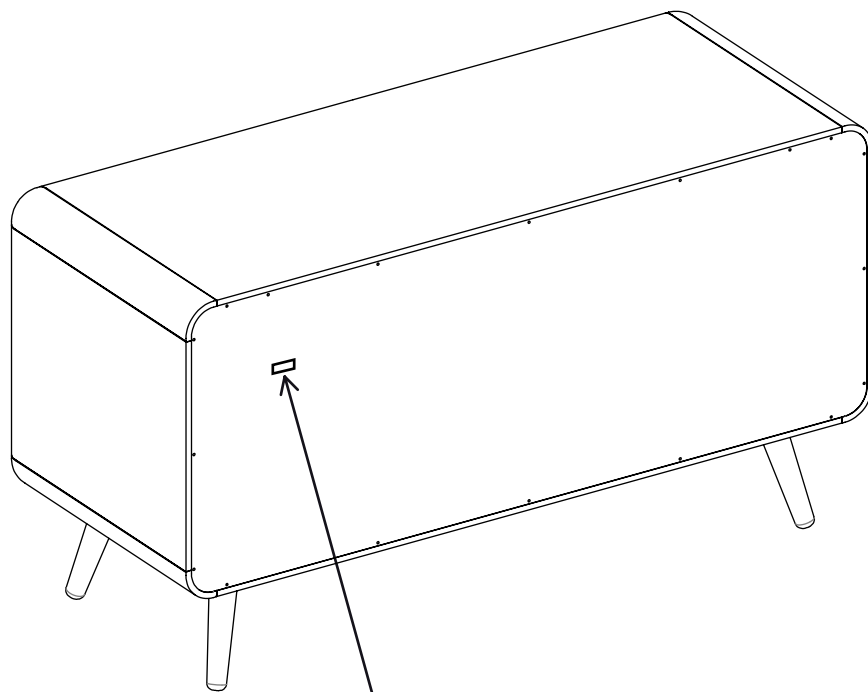
- Do not use the glass as a chopping surface. Do not strike the glass with hard or pointed items.
- Do not sit or stand upon glass surface(s).
- Tempered glass is designed to break into very small fragments for customer safety. On very rare occasions including when not in direct use, glass can break for the following reasons:
 - Surface damage and scratches. Please take extra care to ensure no heavy or sharp objects impact this product.
 - Extremes of temperature. Avoid areas where the item can become very hot and cold.

Experiencing problems with your new product?

Before calling customer service, please have your item's batch code ready.

You can find the batch code on the back or bottom of your product as shown below.

(example batch code: 200510)



Batch Code
Placement