

# Cila

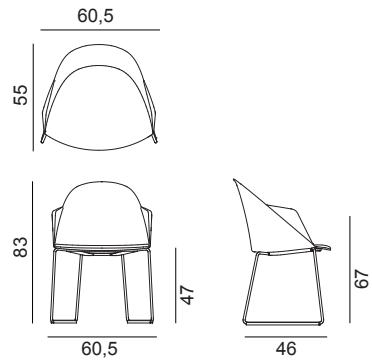
Design by Lievore Altherr, 2018

## Art. 2228

Armchair on sled base in chromed or powder-coated steel. Shell fully upholstered in fabric, leather, coated fabric, or customer's material. Optional glides with felt for wooden floors are available upon request.



Dimensions \*



\* File CAD 2D - 3D available for download at [www.arper.com](http://www.arper.com)

Frame Base



arper

www.arper.com

info@arper.com

# Cila

## Design by Lievore Altherr, 2018


---

### SHIPMENT DETAILS

#### Art.2228

1 pz = 1  - kg / m³

1 pz = 1  - kg 9,19/ m³

1 pz = 2  - kg 14,2/ m³ 0,398

4 pz = 2  - kg 43,34/ m³ 0,564

---

### TECHNICAL SPECIFICATIONS

#### Art.2228

COL requirement m² 3.3

H 140 cm. COM Meterage m 1.47

\*Classe 1, 2, 1IM: fire retardant version available with surcharge and eventual minimum batch

---

### FIRE RETARDANT TEST

---

Thickness

arper

### GLIDES

#### Standard

#### Optional



Wood  
1MN0404

info@arper.com

www.arper.com