

# Saya Bar Stool

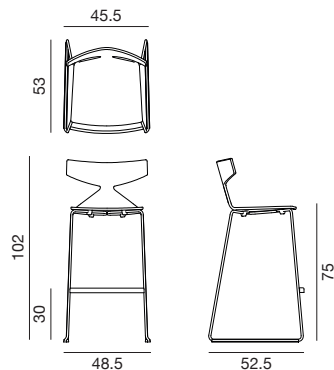
Design by Lievore Altherr Molina, 2012

## Art. 3713

Bar stool with chromed or powdercoated steel sled base and oak veneer shell. It is available in 4 finishes and with fabric, leather, coated fabric or customer's material upholstered cushion applied on the seat. Optional glides with felt for wooden floors are available upon request. Seat height 75 cm.

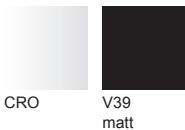


Dimensions \*



\* File CAD 2D - 3D available for download at [www.arper.com](http://www.arper.com)

Frame Base



Shell

Wood



arper

www.arper.com

info@arper.com


# Saya Bar Stool


## Design by Lievore Altherr Molina, 2012

---

### SHIPMENT DETAILS

#### Art.3713

1 pz = 2  - kg 11,22/ m³ 0,42

4 pz = 2  - kg 33,34/ m³ 0,47

---

### TECHNICAL SPECIFICATIONS

Art.3713

COL requirement m² 0.564

H 140 cm. COM Meterage m 0.48

---

### RESISTANCE TEST

- EN 1728:2012 - EN 16139:2013 6.15
- EN 1728:2012 - EN 16139:2013 6.17
- EN 1728:2012 - EN 16139:2013 6.21
- EN 1728:2012 - EN 16139:2013 6.25
- EN 1728:2012 - EN 16139:2013 6.5
- EN 1728:2012 - EN 16139:2013 6.9
- EN 1728:2012 - EN 16139:2013 6.16
- EN 1728:2012 - EN 16139:2013 6.18
- EN 1728:2012 - EN 16139:2013 6.24
- EN 1728:2012 - EN 16139:2013 6.4
- EN 1728:2012 - EN 16139:2013 6.8

---

### FIRE RETARDANT TEST

---

### ENVIRONMENTAL CERTIFICATIONS



arper

www.arper.com  
info@arper.com