

Duna 02

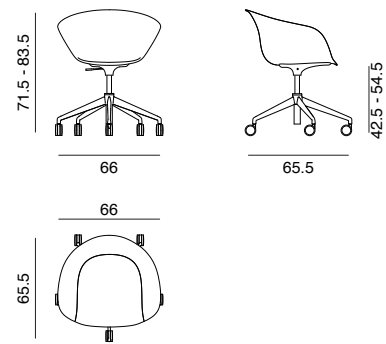
Design by Lievore Altherr Molina, 2014

Art. 4239

Chair with polished or powder-coated aluminium five-star base, mounted on self braking castors and equipped with gas mechanism. Shell fully upholstered in leather, coated fabric, fabric or customer's own material.

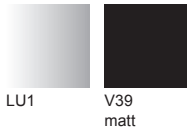


Dimensions *



* File CAD 2D - 3D available for download at www.arper.com

Frame Base



Shell

Carded In



Graded In

kvadrat

camira

Gabriel®

arper

info@arper.com


www.arper.com


Duna 02

Design by Lievore Altherr Molina, 2014

SHIPMENT DETAILS

Art.4239

1 pz = 2  - kg 19,08/ m³ 0,41

4 pz = 5  - kg 61,6/ m³ 1,14

TECHNICAL SPECIFICATIONS

Art.4239

COL requirement m² 2.66

H 140 cm. COM Meterage m 1.72

RESISTANCE TEST

- EN 1728:2012 - EN 16139:2013 6.10
- EN 1728:2012 - EN 16139:2013 6.17
- EN 1728:2012 - EN 16139:2013 6.20
- EN 1728:2012 - EN 16139:2013 6.26
- EN 1728:2012 - EN 16139:2013 6.5
- EN 1728:2012 - EN 16139:2013 6.11
- EN 1728:2012 - EN 16139:2013 6.18
- EN 1728:2012 - EN 16139:2013 6.25
- EN 1728:2012 - EN 16139:2013 6.4

FIRE RETARDANT TEST

ENVIRONMENTAL CERTIFICATIONS



arper

www.arper.com
info@arper.com