

# Adell

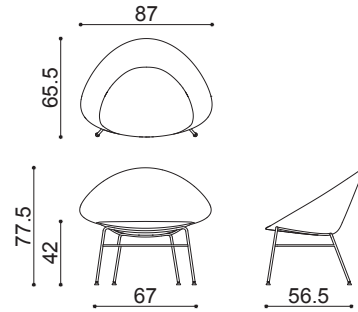
Design by Lievore + Altherr Désile Park, 2020

## Art. 6802

Lounge chair on a four-legged base in powder-coated steel. Polypropylene shell with distinctive texture made with 80% recycled materials, entirely covered with fabric, leather, coated fabric or a covering of the client's choice.

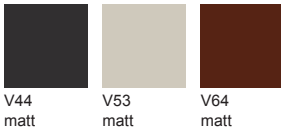


Dimensions \*



\* File CAD 2D - 3D available for download at [www.arper.com](http://www.arper.com)

Frame Base



Shell

arper

www.arper.com

info@arper.com


# Adell


## Design by Lievore + Altherr Désile Park, 2020

---

### SHIPMENT DETAILS

**Art.6802**

1 pz = 2  - kg 16,4/ m³ 0,501

4 pz = 2  - kg 49,6/ m³ 0,887

### TECHNICAL SPECIFICATIONS

**Art.6802**

COL requirement m² 3.84

H 140 cm. COM Meterage m 1.96

\*Classe 1, 2, 1IM: fire retardant version available with surcharge and eventual minimum batch

### RESISTANCE TEST

### FIRE RETARDANT TEST

---

### ENVIRONMENTAL CERTIFICATIONS



arper

www.arper.com  
info@arper.com

www.arper.com