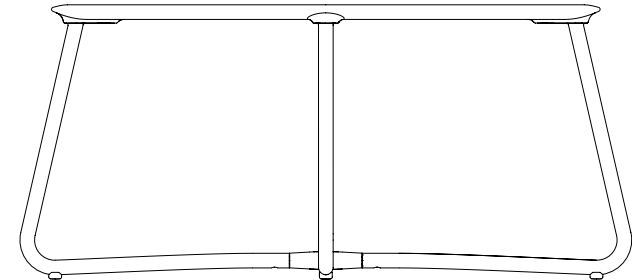


# mater

## Assembly Instruction



Considering the planet,  
its resources and its people.

@materdesign

[www.materdesign.com](http://www.materdesign.com)

## Lily Lounge Table

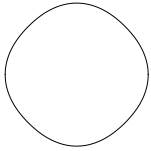
Designed by OEO Studio

Thank you for purchasing the Lily Lounge Table

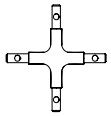
---

## Included in package

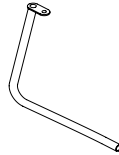
Tabletop x 1



Connector x 1



Leg x 4



Countersunk screw x 4



Socket screw x 4



Allen Key x 1

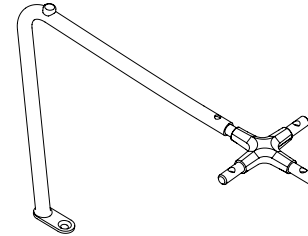
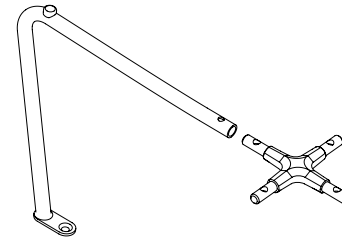


---

## Important Notice

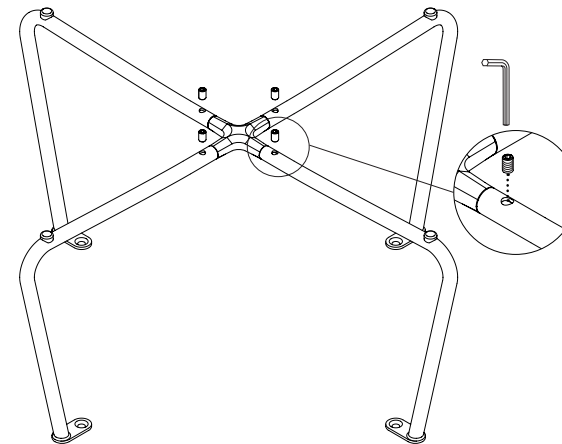
Only use the listed tool when assembling your product. Do not use power tools. Tighten the screws in accordance with the assembly instructions and avoid over-tightening. There is no need for strong force.

1



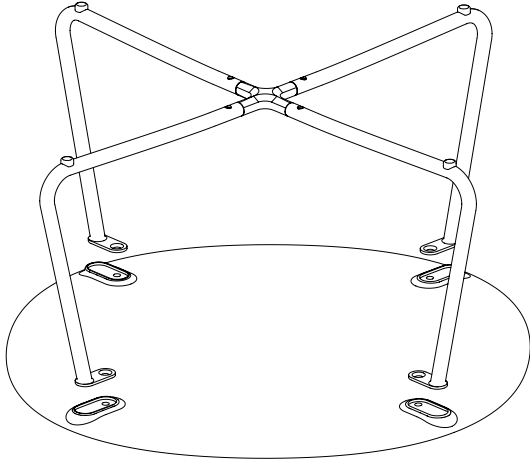
Start with the connector and place onto a carpet or another surface that does not scratch the components. Then apply one leg at a time by pressing the legs towards the center of the connector.

2



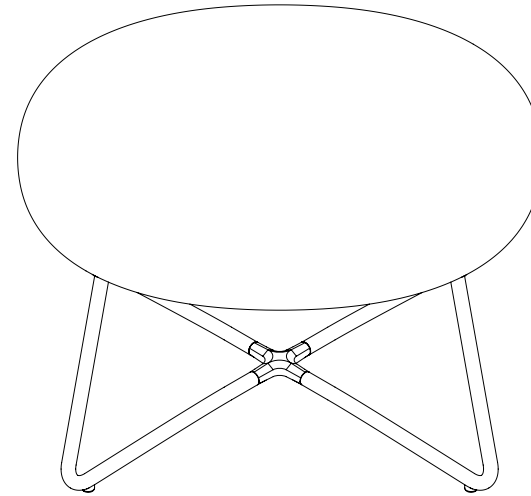
Use the allen key and one of the socket screws to fasten the legs to the connector parts.

3



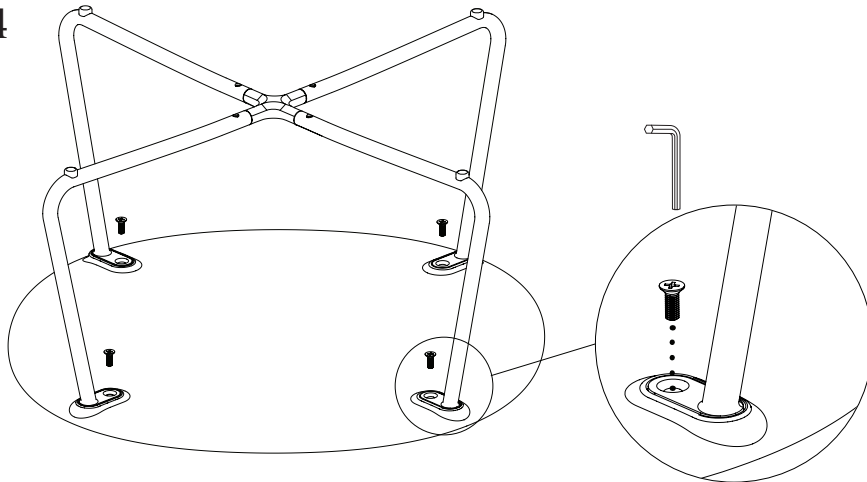
Place the tabletop downwards on a carpet or another surface that does not scratch the surface of the tabletop. Place the assembled legs onto the tabletop. Make sure to check that all four legs align with the leg slot on the tabletop.

5



Now the table is ready for use!

4



Fasten each of the four countersunk screws using the allenkey.