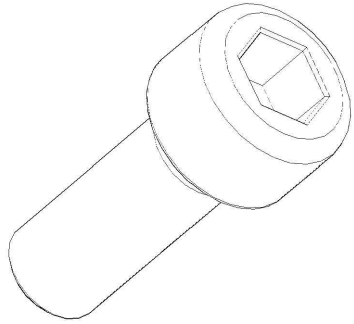


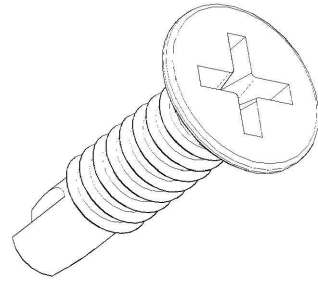
# HK021

.mdd

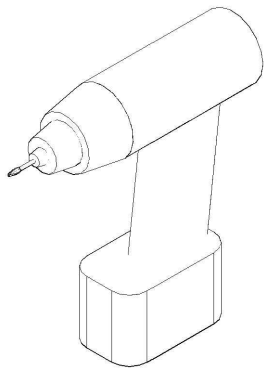
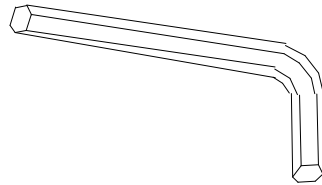




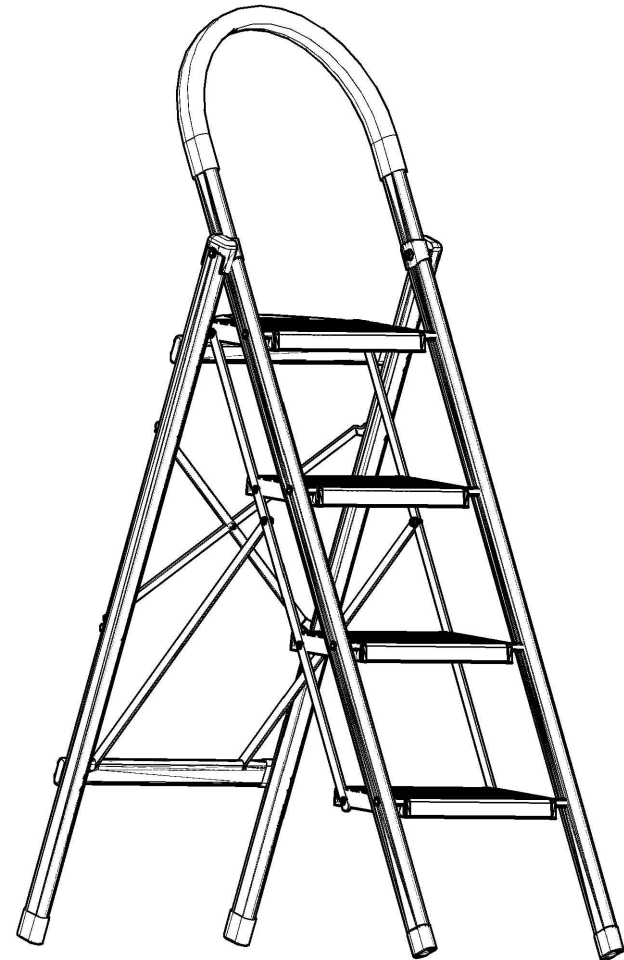
M6x16

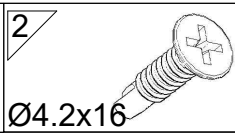
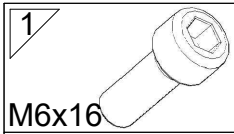


Ø4.2x16



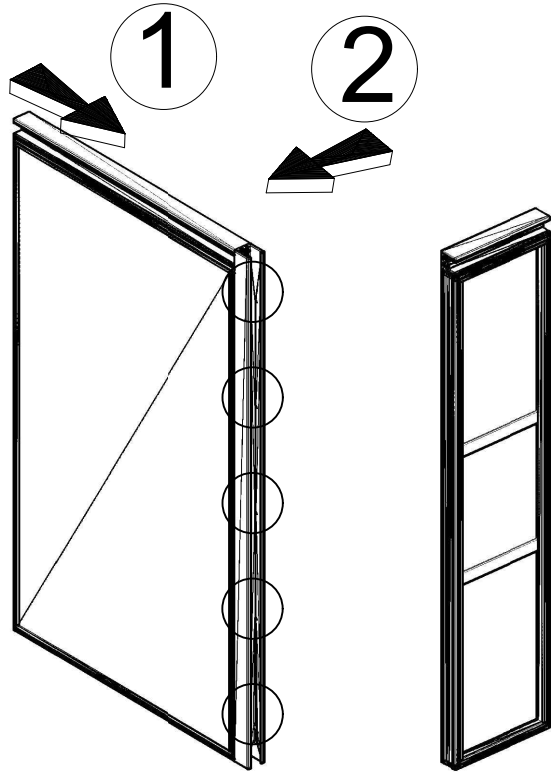
MIN 1,5M



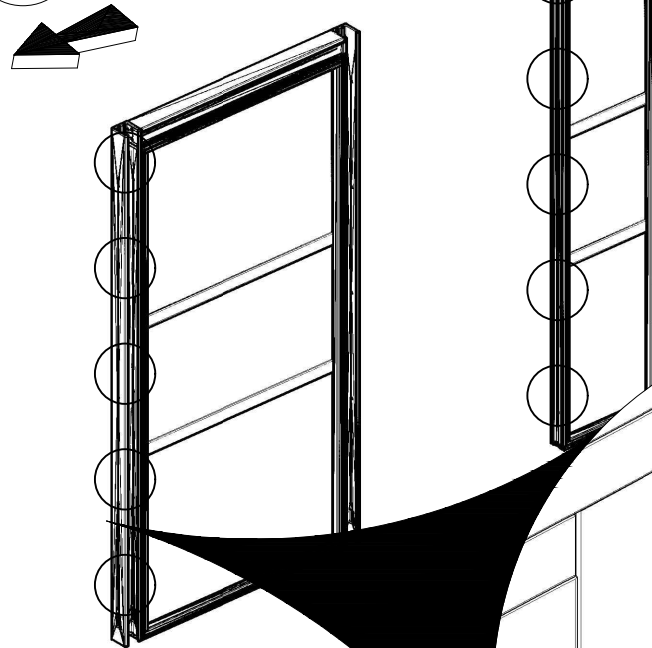


HK021

A



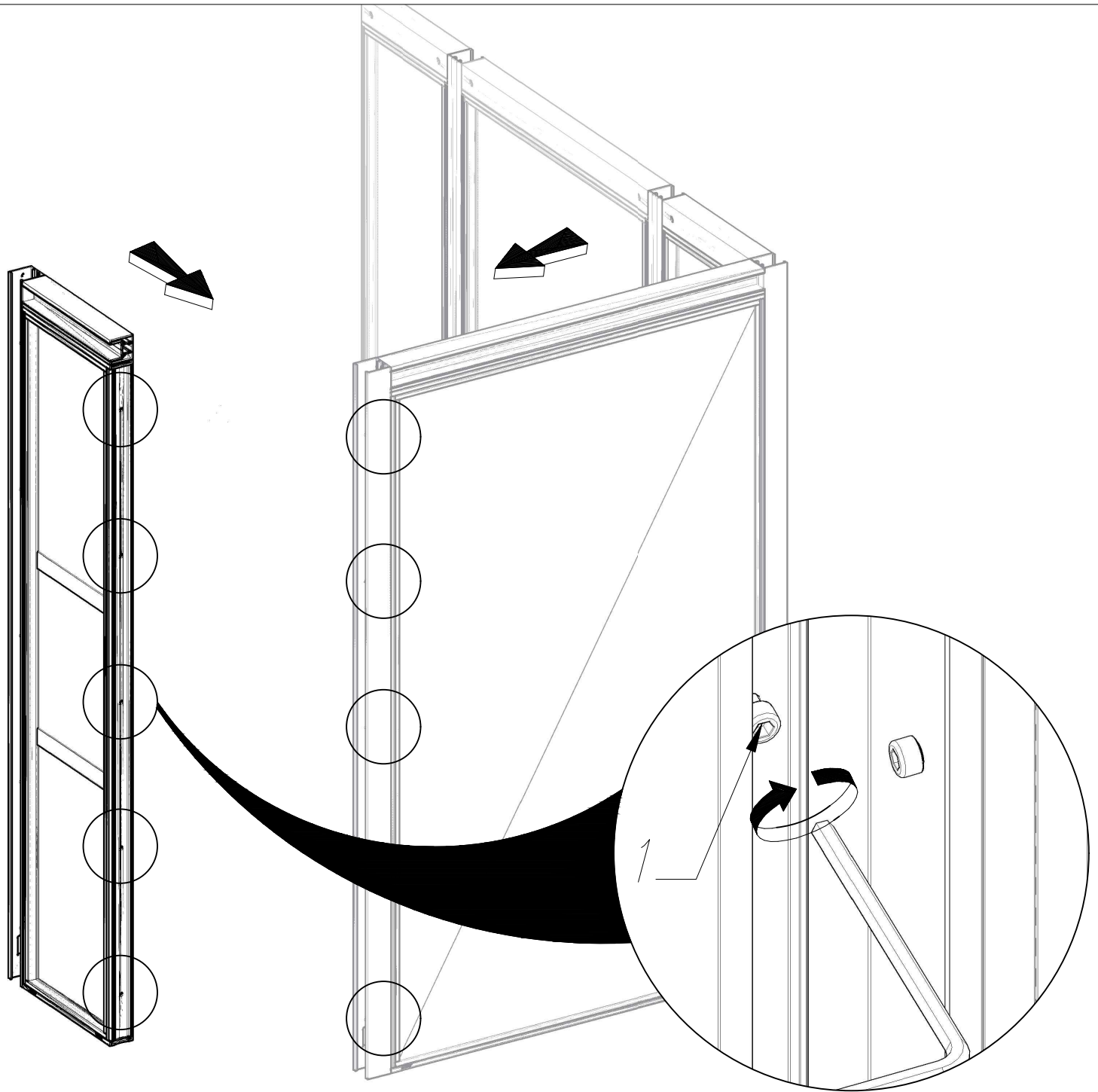
3



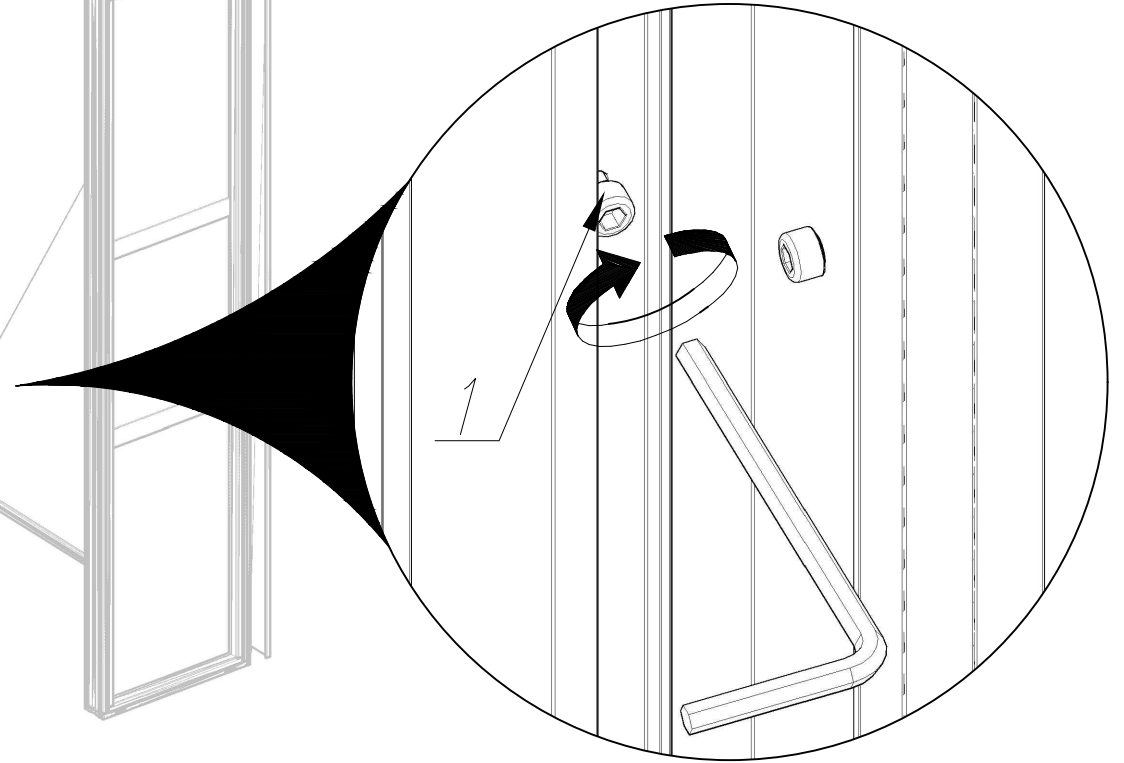
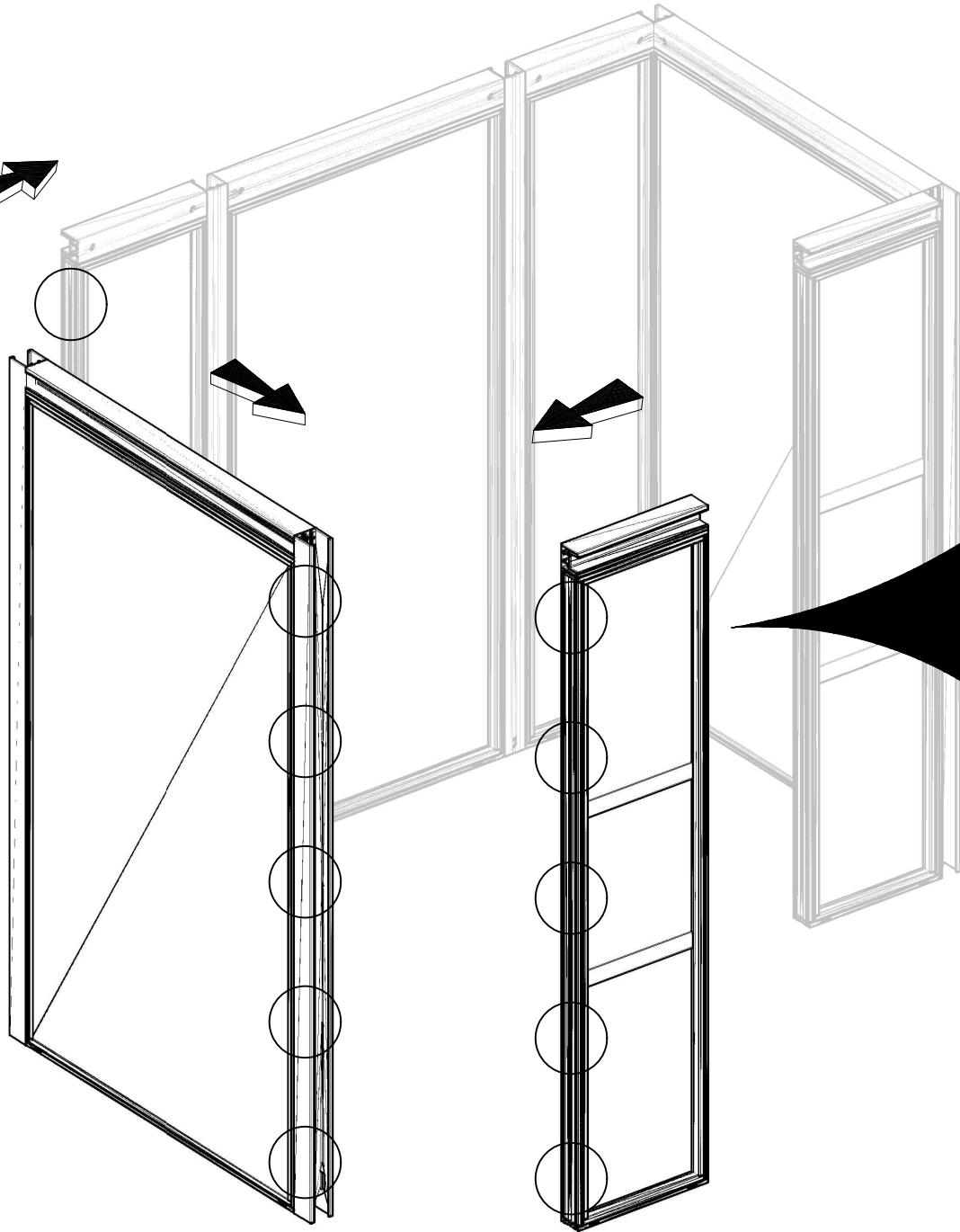
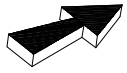
4



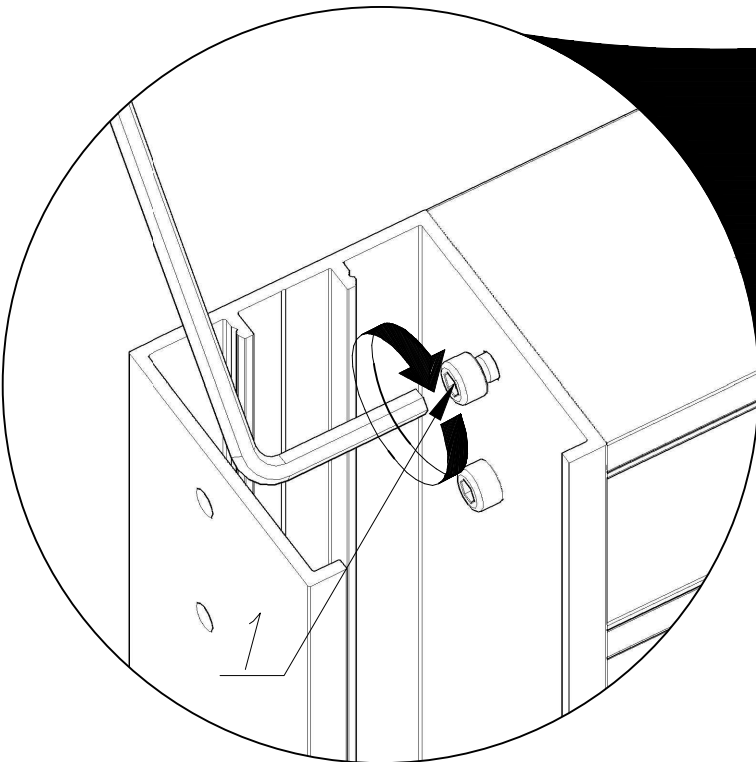
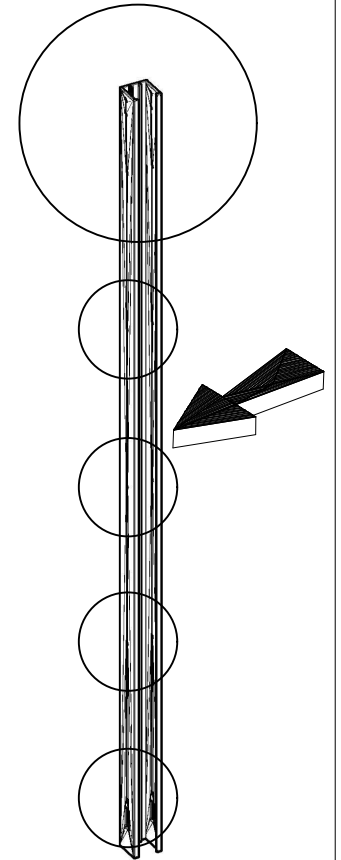
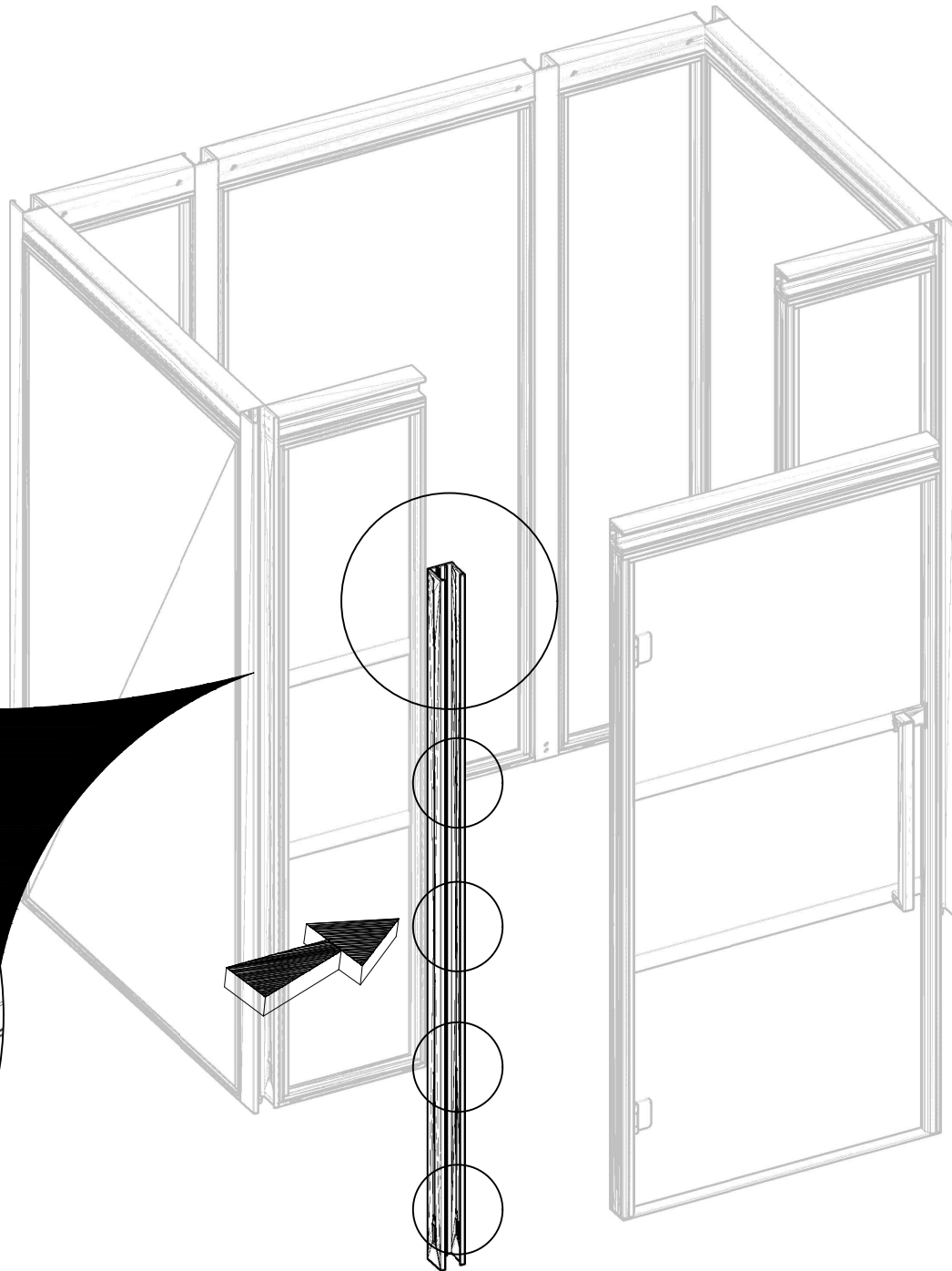
B



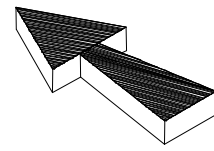
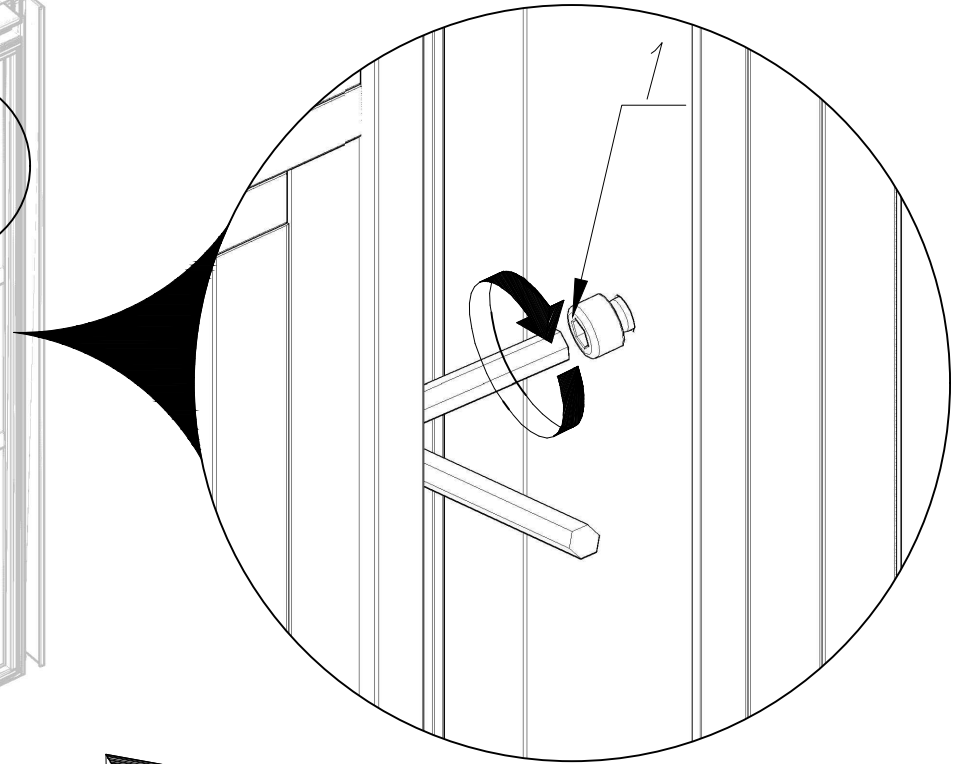
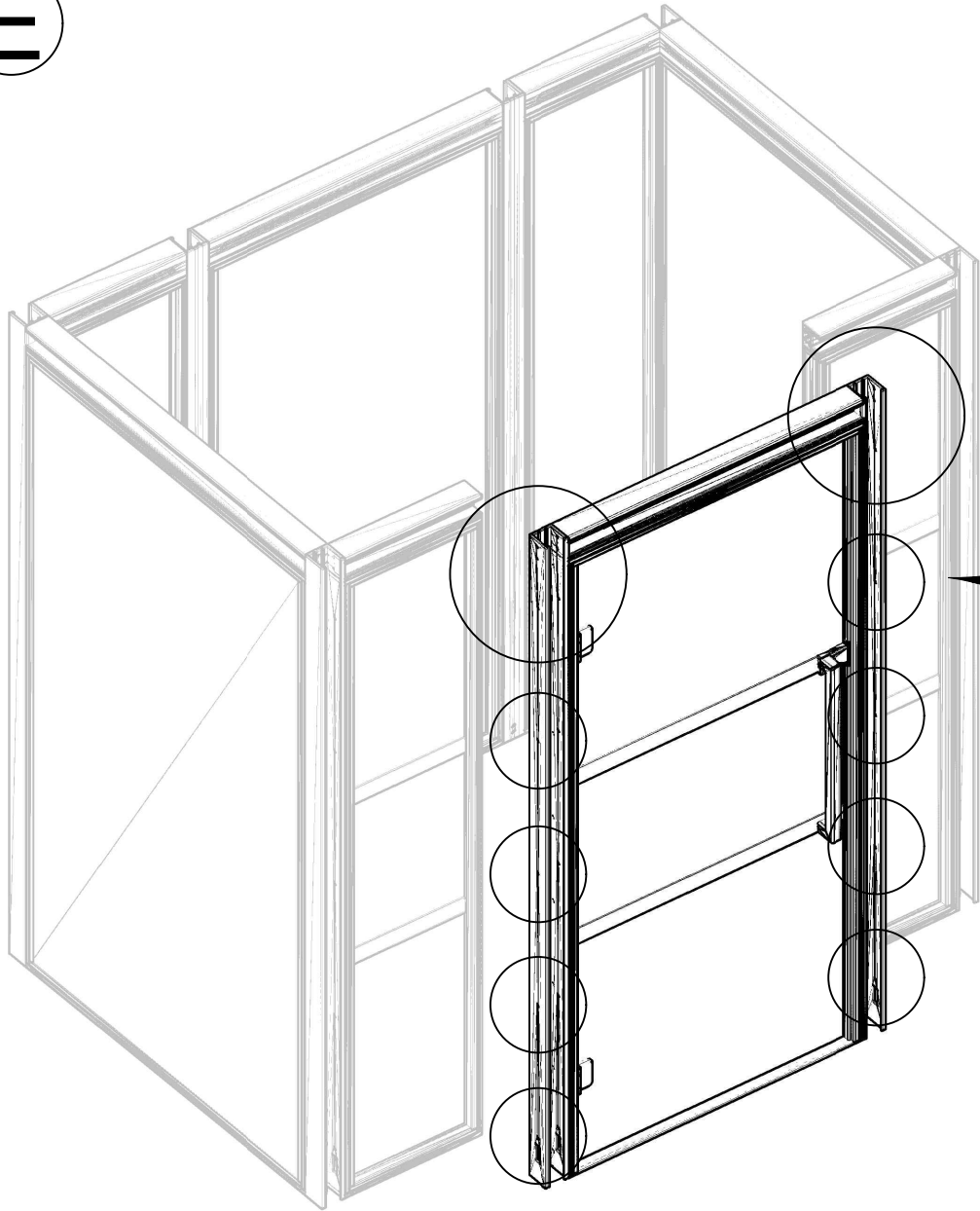
C



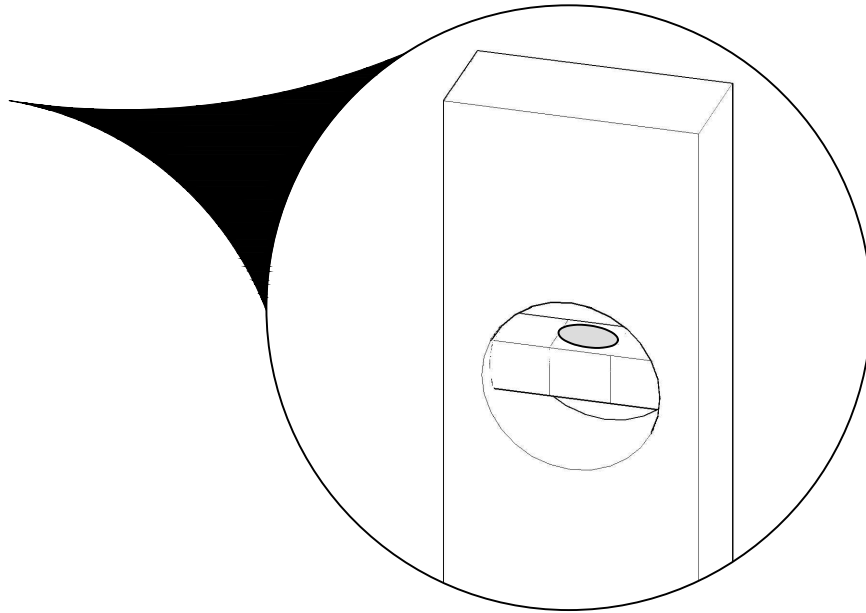
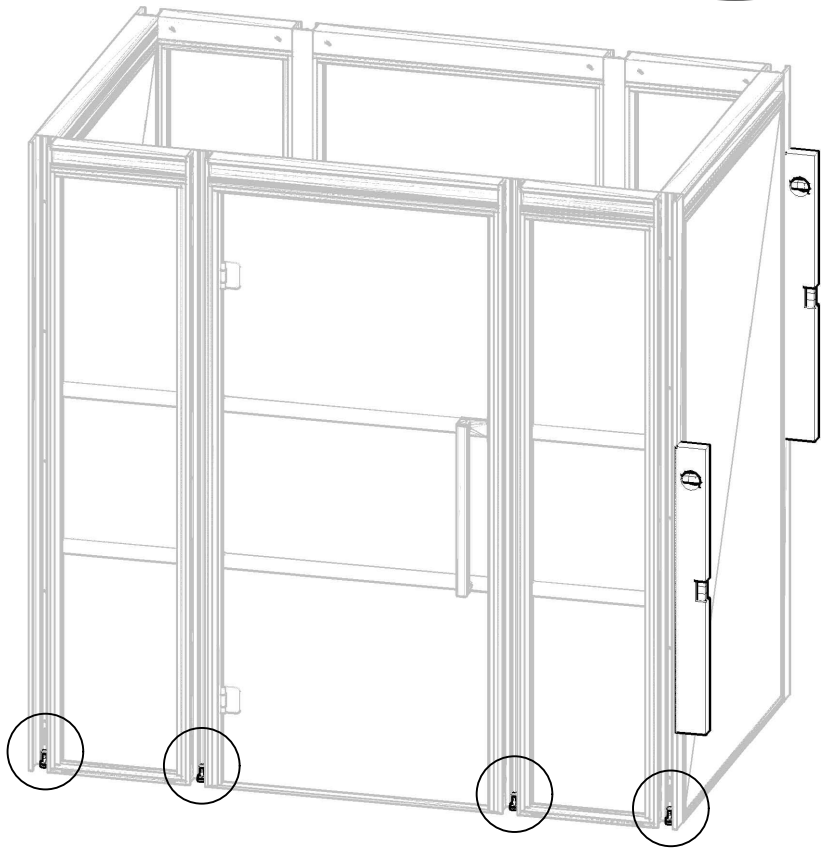
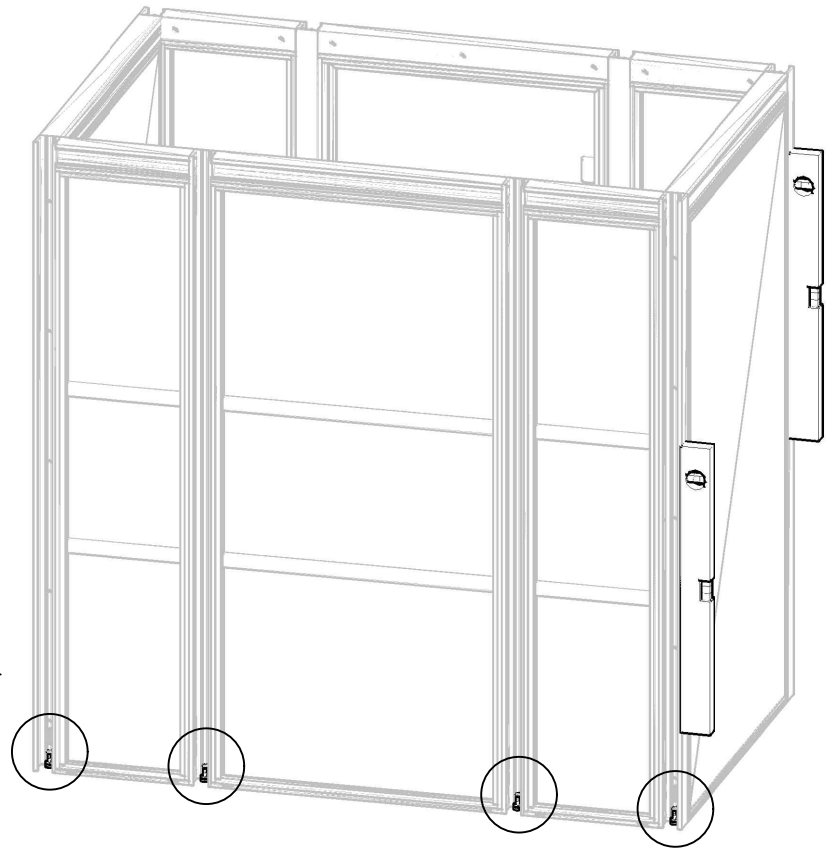
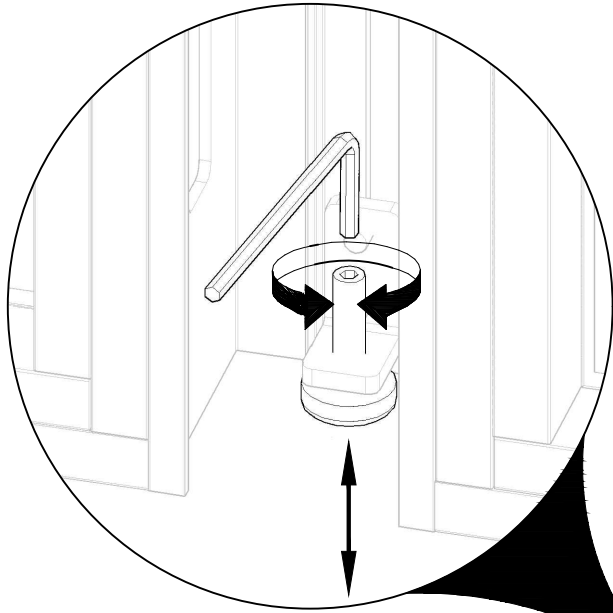
D



E

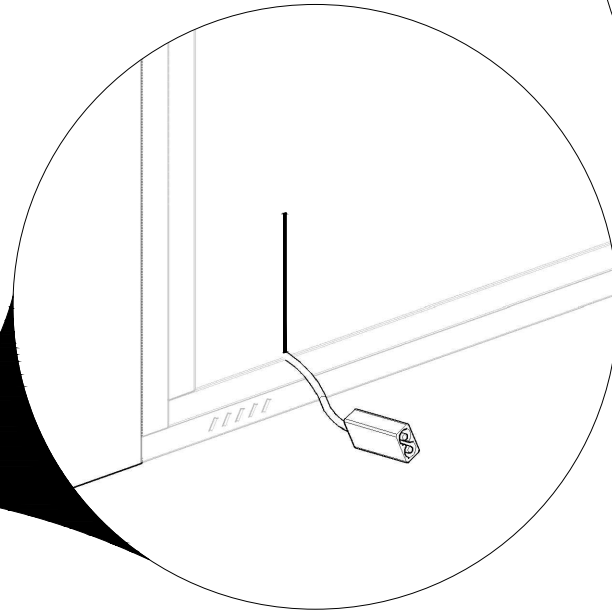
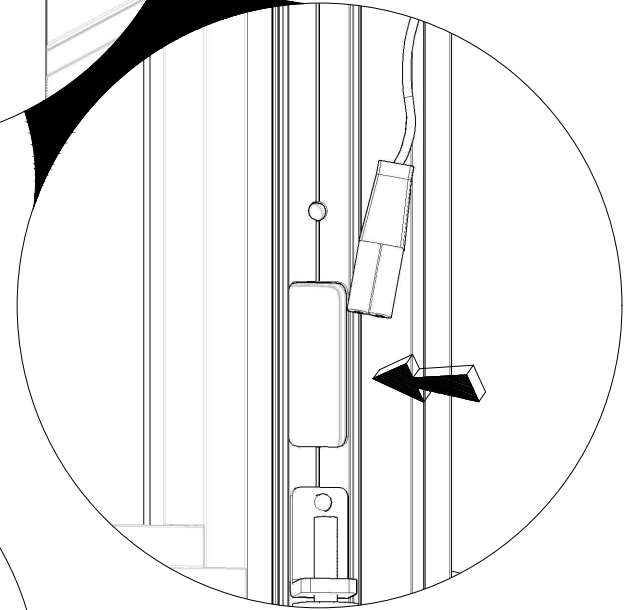
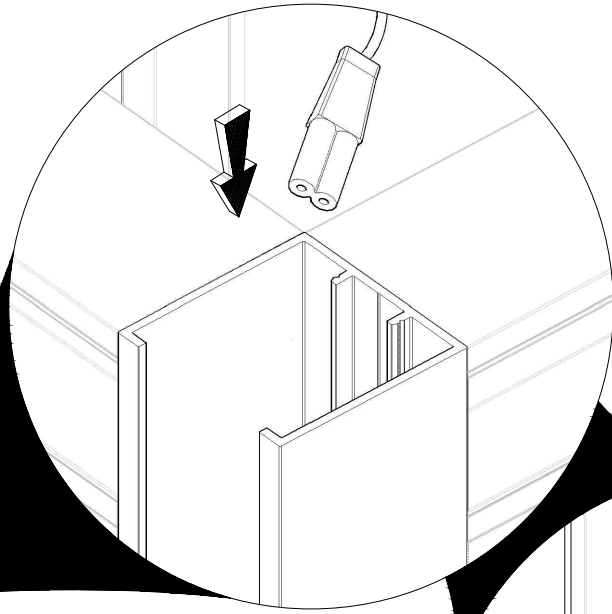
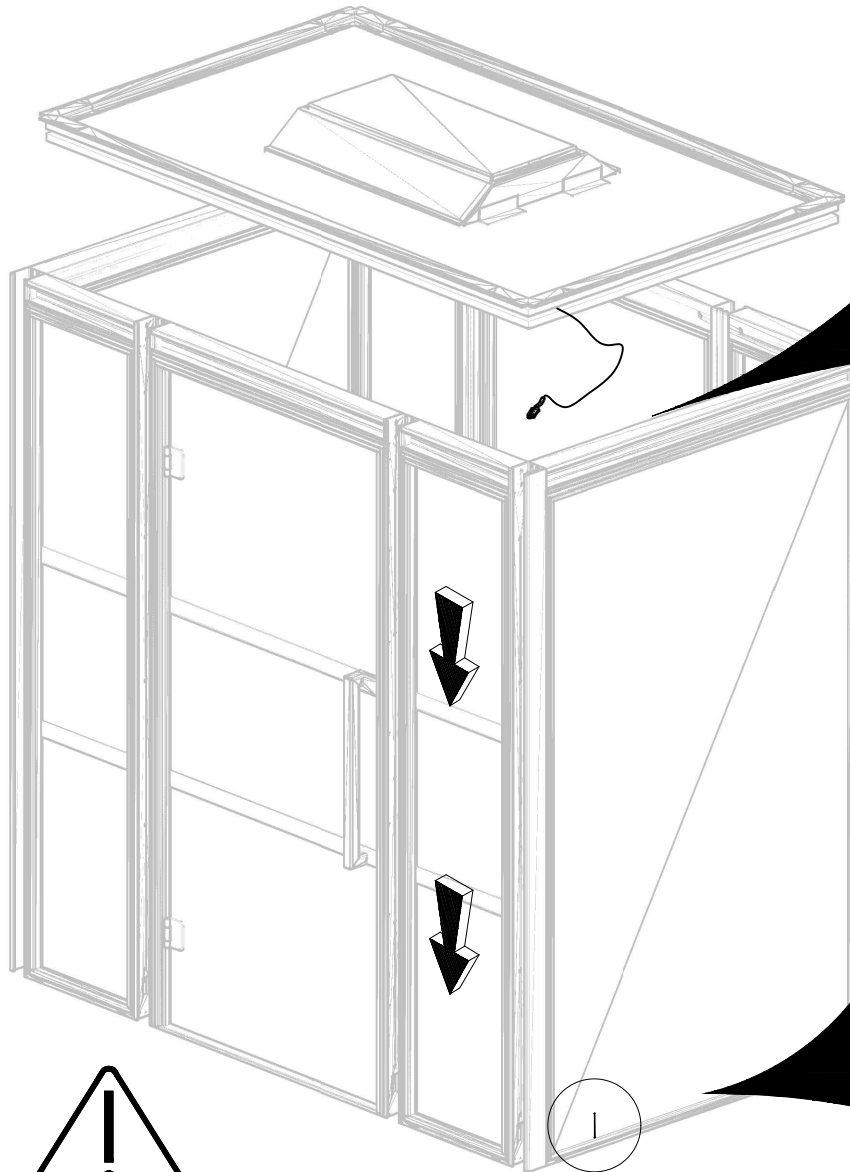


F

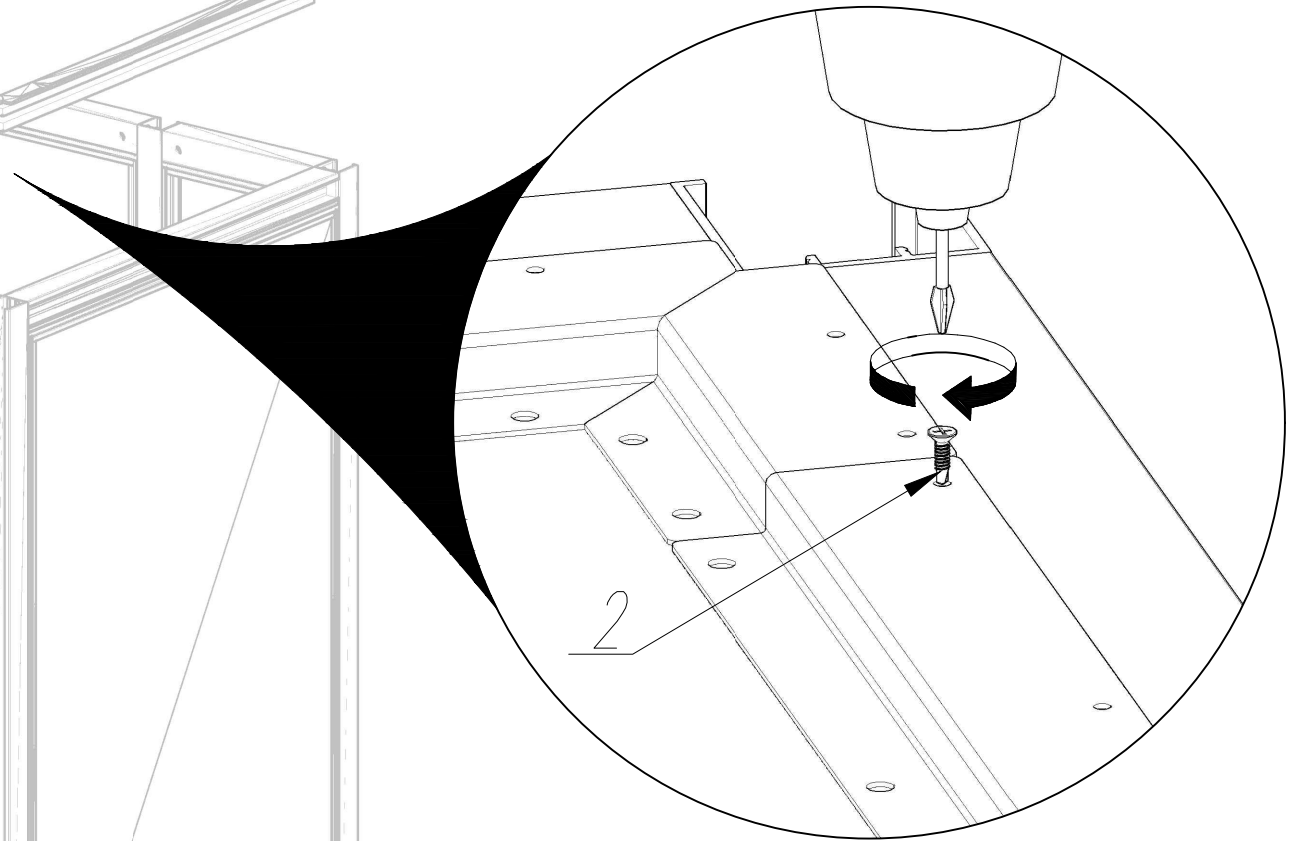
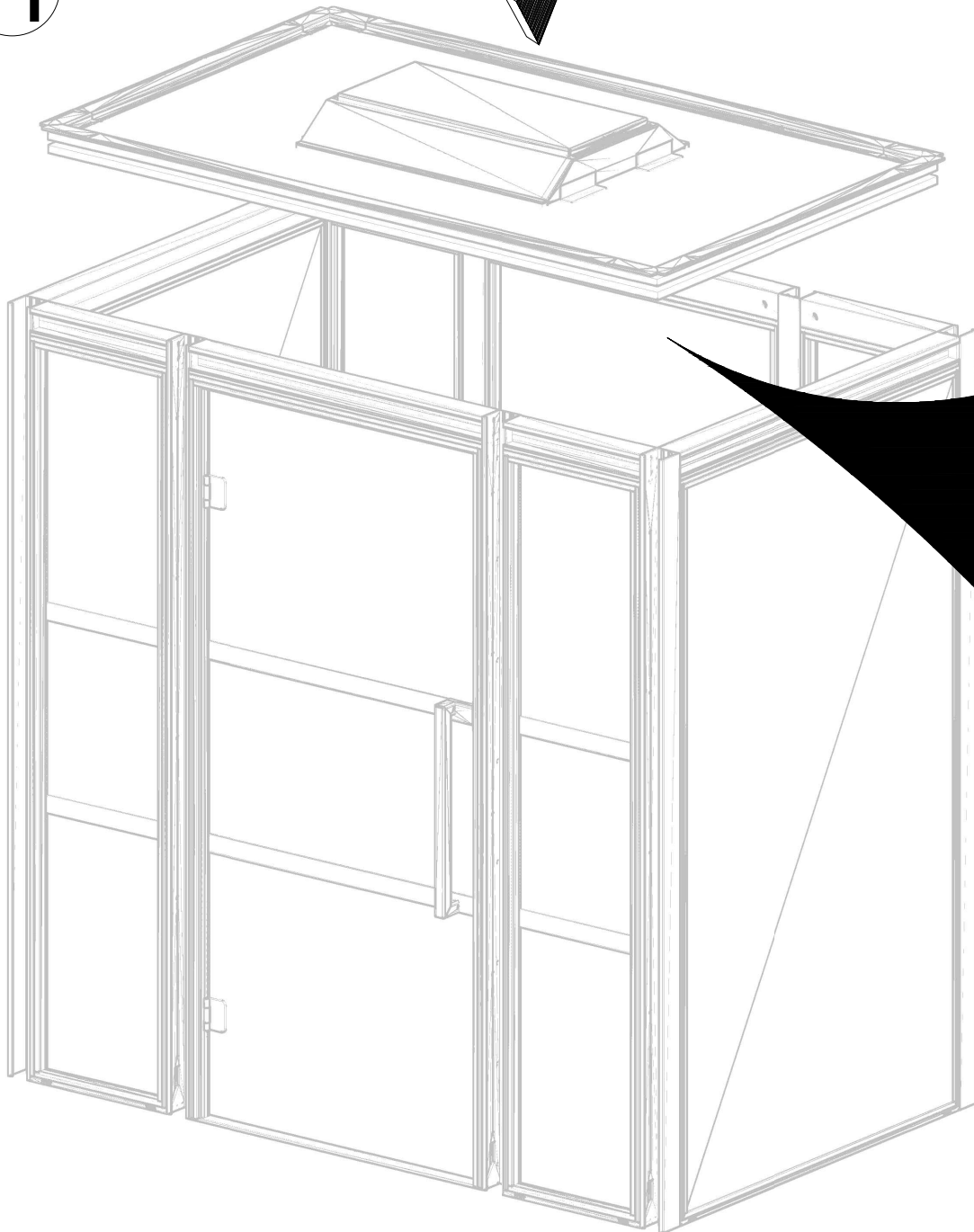
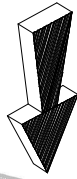




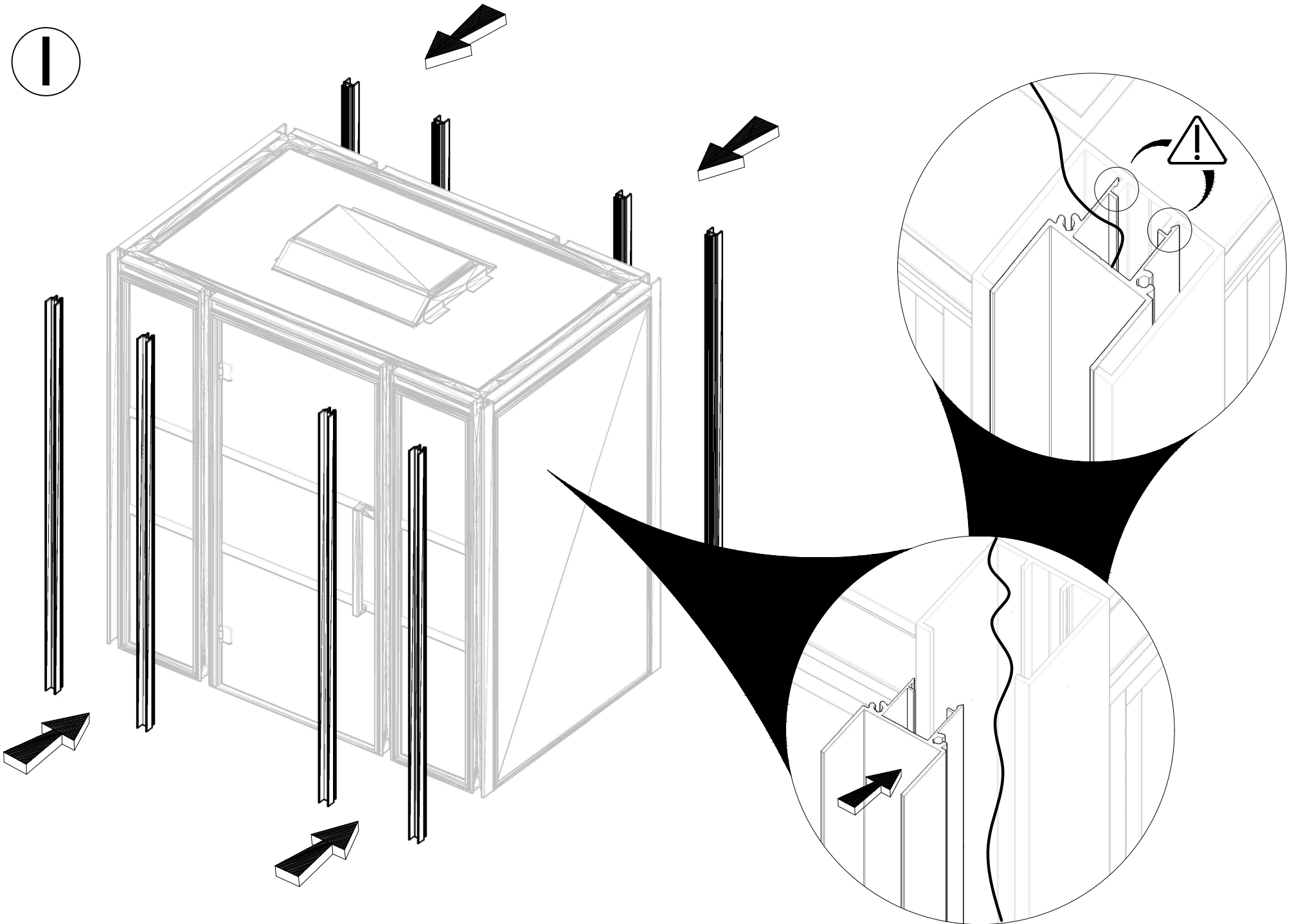
G



H



1



J

