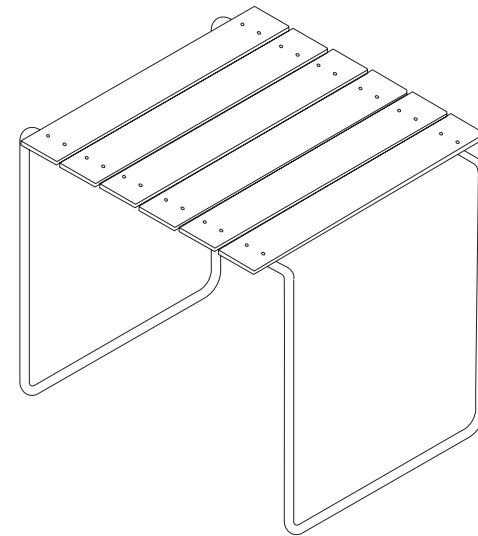


mater



Considering the planet,
its resources and its people.

@materdesign

www.materdesign.com

Ocean Table, 2 pers.
Designed by Jørgen & Nanna Ditzel

Thank you for purchasing the Ocean Table

Ocean Table, 2 pers.

Discarded fishing nets & recycled hard plastic



Designed by
Jørgen & Nanna Ditzel

Dimensions
W 70 cm D 70 cm H 74 cm /
W 28" D 28" H 29"

Weight
9.1 kg / 19 lbs

Materials
Slats made from discarded fishing nets mixed with recycled hard plastic. One table contains up to 2460g / 86.7oz of waste materials.

Steel tube, 20% recycled steel,
Gun metal finish

Gliders
Hard plastic gliders installed as standard

Made from recycled fishing nets

The Ocean collection was originally designed in 1955 by some of the 20th century's most renowned designers, Joergen and Nanna Ditzel. The design has since been relaunched by Mater in recycled waste materials. The series is characterized by its light structure with repeated slats and metal frames, made and tested for outdoor use. The Ocean collection is designed for disassembly, meaning that the design allows each component in its purest form to recycle into new production circles.

Maintenance guide

The products in the Ocean Collection have an outdoor primer which provides a barrier to corrosive elements making it suitable for outdoor use and designed to last. All products in the Ocean Collection are handcrafted and minor blemishes and imperfections may be visible. These are not considered defects and do not interfere with the quality and function of the product. Always remove stains quickly before they can do any permanent damage to the furniture. When you move your furniture make sure you lift it rather than pulling or pushing it to avoid damaging the floor, legs and mountings.

On chairs, avoid improper use such as sitting on the back or armrests, tilting the seats on their back legs, putting your feet on the furniture or standing on it. Be careful not to damage or scratch the surface with sharp objects. Direct placement on a seafront can lead to corrosion. Wipe off bird droppings quickly as they may lead to staining or permanent corrosion.

Wipe off the furniture if it becomes wet after rain or snowfall as this will damage the surface over time. Sharp tips and points can also appear on the surface, which can be removed with a metal file. Take care not to scratch the chairs against each other when stacking them. Do not move or drag the chairs around when stacked as the weight will damage the legs.

We recommend tightening the screws 1-2 times per year to ensure stability and optimal performance of the furniture. With the Ocean Tables, it is advisable to tighten the screws after one or two months use.

Recycled plastics

Our recycled plastics offer a strong durable surface. It is easy to clean and requires very little maintenance. The plastic surface can be cleaned with a soft cloth wrung in lukewarm water. Avoid contact with sharp objects that can scratch or damage the surface of the material.

Powder Coated Steel

A powder-coated steel surface is durable and requires very little maintenance. It is recommended to use only a soft, dry cloth to clean powder-coated surfaces; however, if more thorough cleaning is needed, a soft cloth wrung out in lukewarm water can be gently applied. Always dry the surface immediately after cleaning with a soft, dry cloth. Avoid using abrasive cleaning agents or aggressive detergents on powder-coated surfaces, as these may permanently damage the finish. Minor scratches or damages to the surface can lead to corrosion.

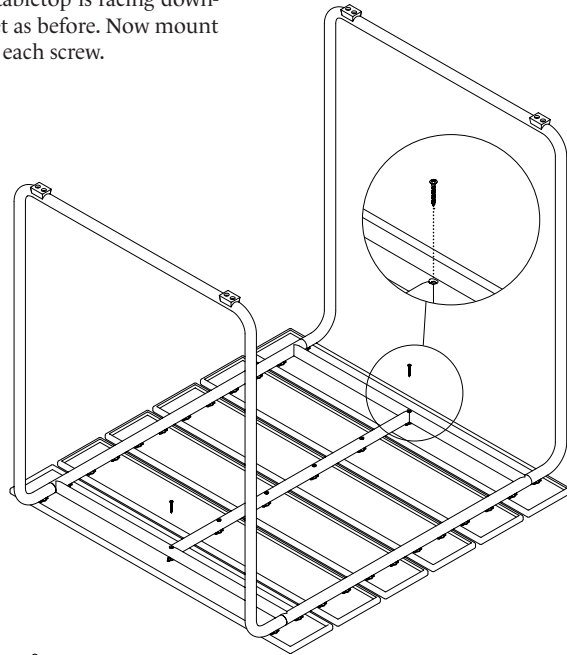
Storage

The life expectancy of your furniture will vary depending on the weather and type of use. We recommend that you store the furniture in a dry, ventilated place during winter and keep it protected from scratches and bumps.

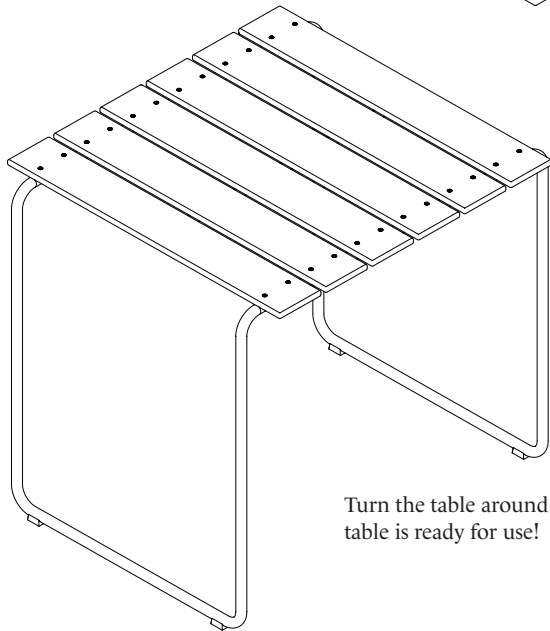
Furniture made from recycled plastic should not be placed outside in temperatures below -5°C, as this may cause the material to splinter.

5

Turn the table around so the tabletop is facing downwards again on the same carpet as before. Now mount the two oval screws and fasten each screw.



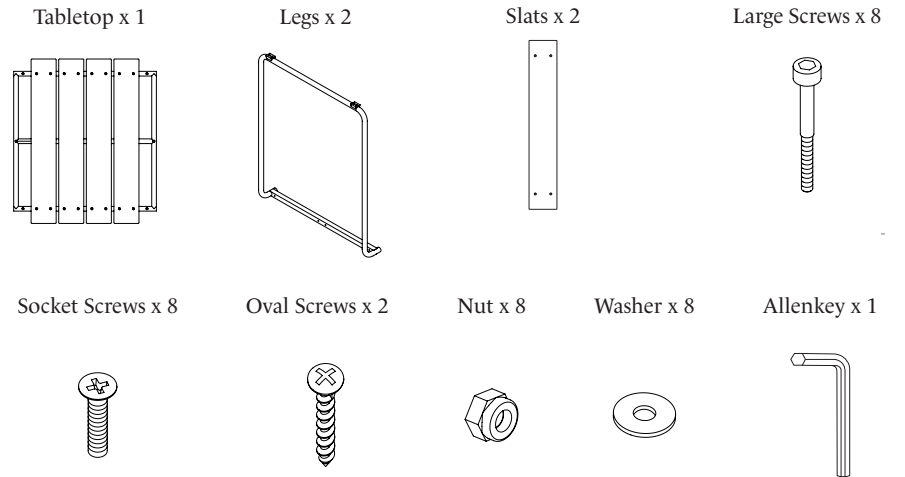
6



Turn the table around so it stands on its legs. Now the table is ready for use!

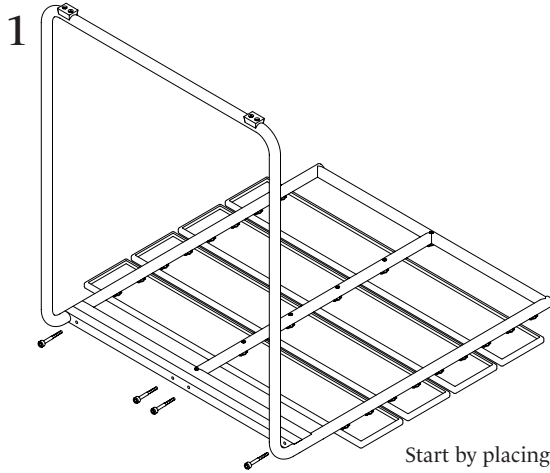
Assembly Instruction

Included in package



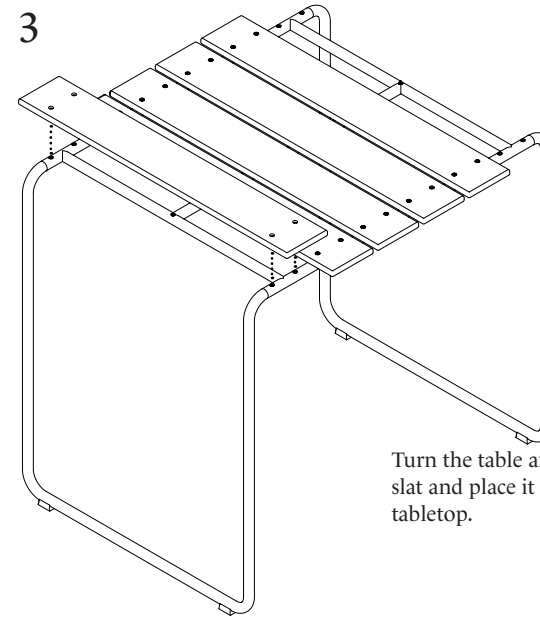
Important Notice

Only use the listed tool when assembling your product. Do not use power tools. Tighten the screws in accordance with the assembly instructions and avoid over-tightening. There is no need for strong force.

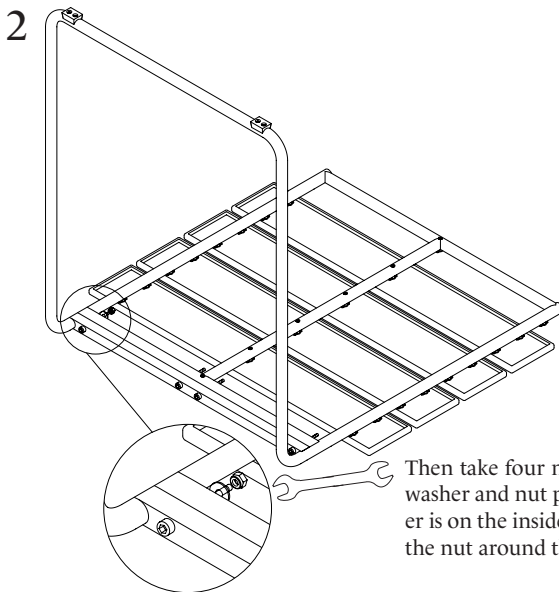


1 Start by placing the tabletop downwards on a carpet or a surface that will not scratch the table.

Align the first leg with the steel frame on the tabletop. Then insert the large screws in each of the four holes. Do not tighten the screws yet.

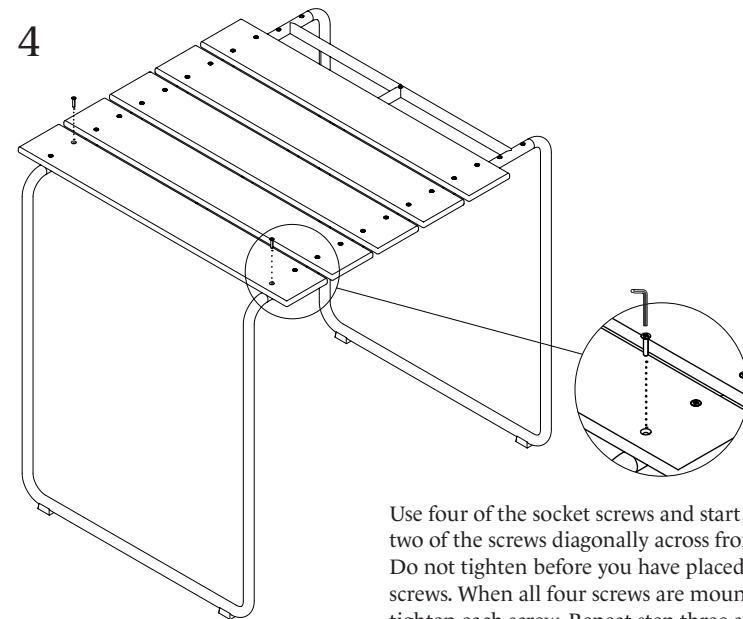


3 Turn the table around to stand on its legs. Take one slat and place it so it aligns with the holes on the tabletop.



2 Then take four nuts and four washers and place one washer and nut per screw, making sure that the washer is on the inside of the nut. Use a spanner to tighten the nut around the screw.

Repeat this with the three remaining screws and afterward repeat step one and two with the other leg.



4 Use four of the socket screws and start by screwing two of the screws diagonally across from each other. Do not tighten before you have placed the two other screws. When all four screws are mounted, then tighten each screw. Repeat step three and four with the other slat.