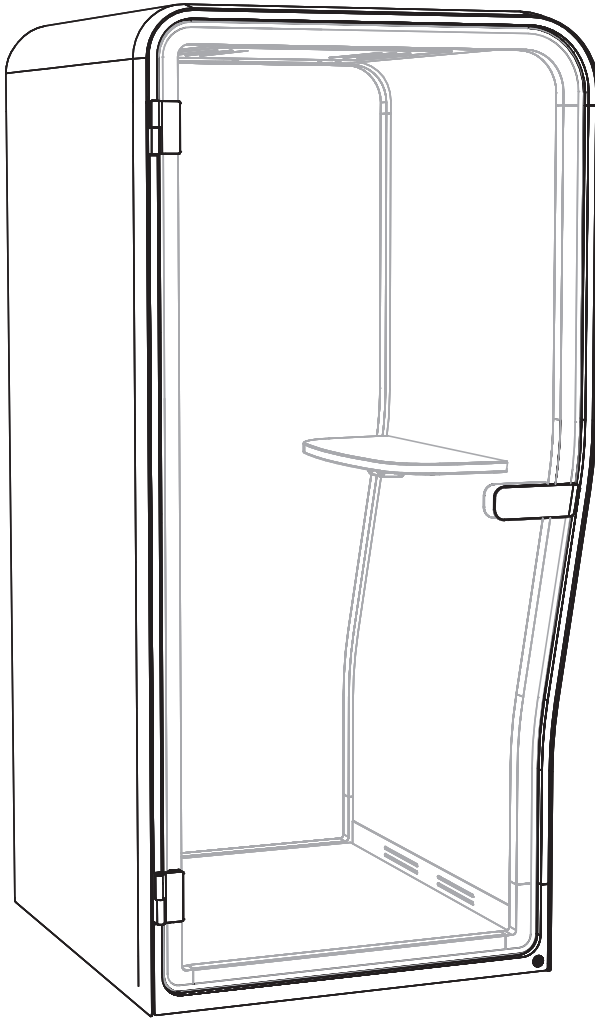


# BuzziNest Booth

INSTALLATION MANUAL

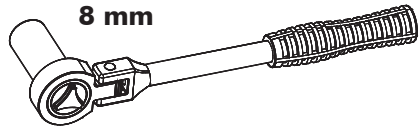
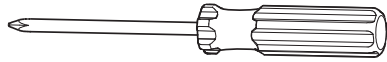


# BuzziNest Booth

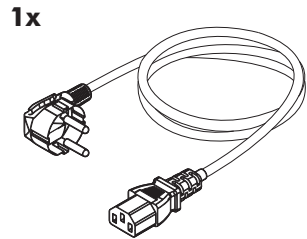
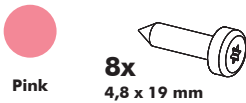
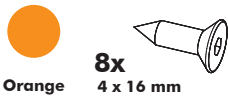
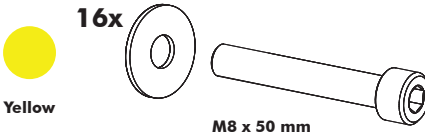
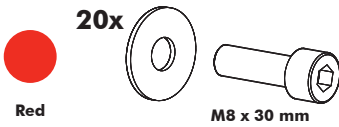


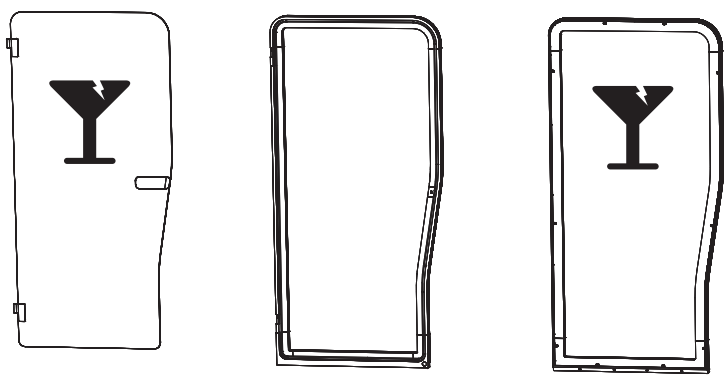
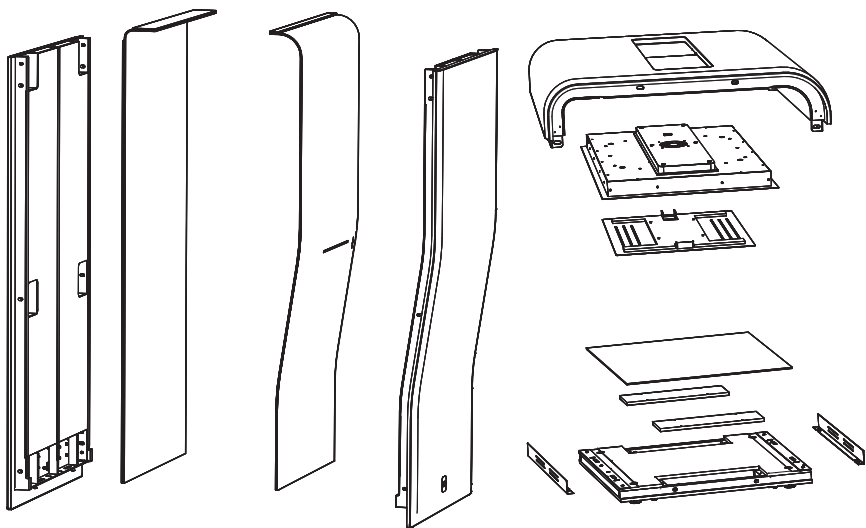
2 PERS. 

## Excluded



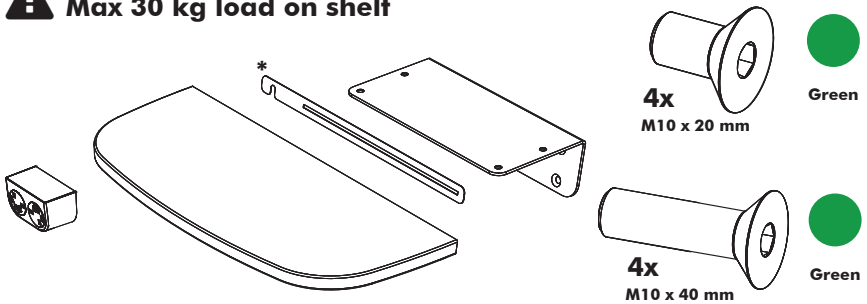
## Included





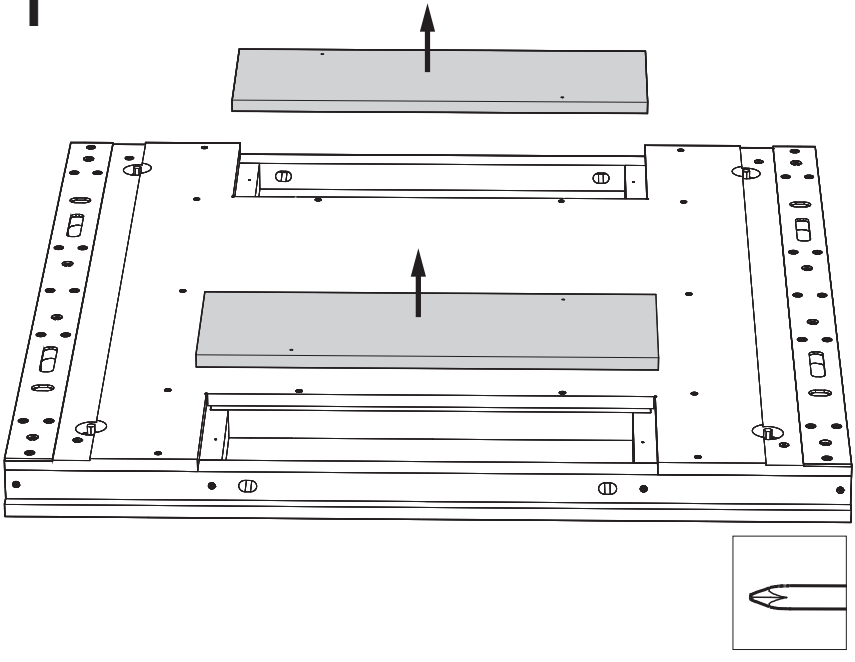
## Optional shelf and electrification

**⚠ Max 30 kg load on shelf**

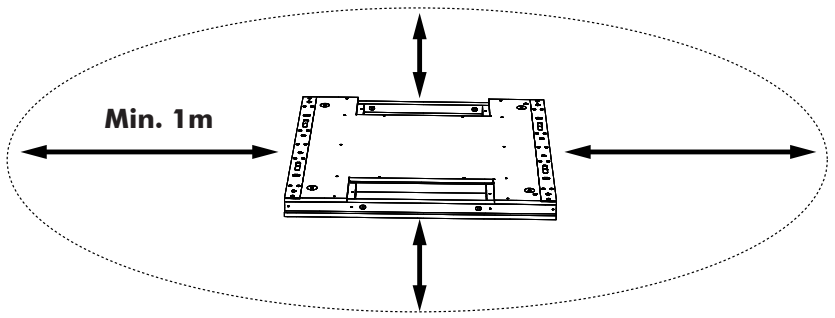


**\* Only for 3D Rib panel**

**1**

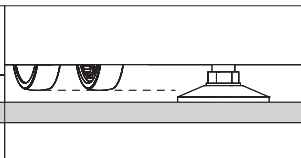
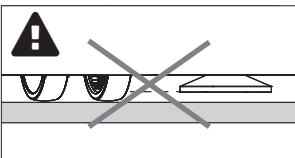
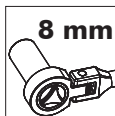
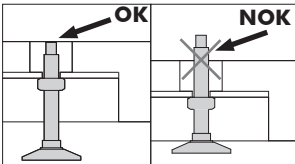
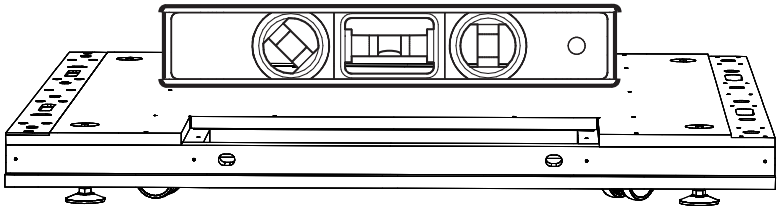
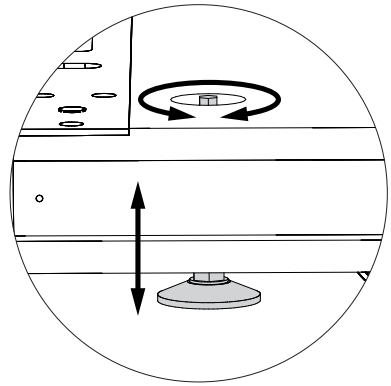


**2**

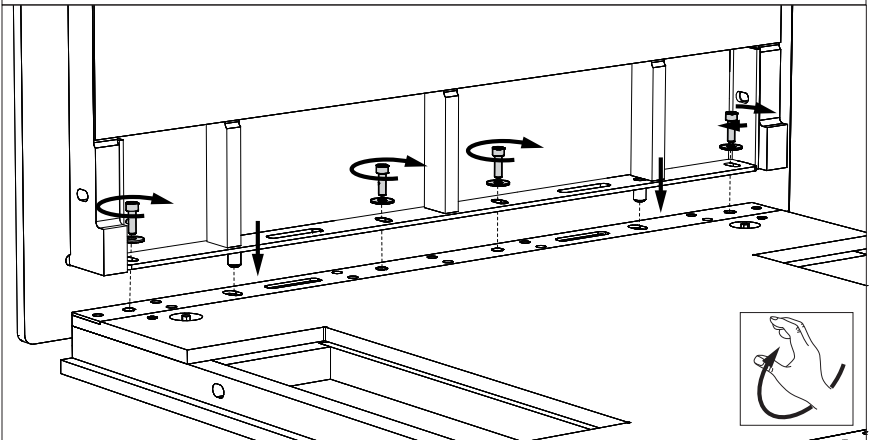
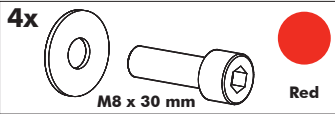
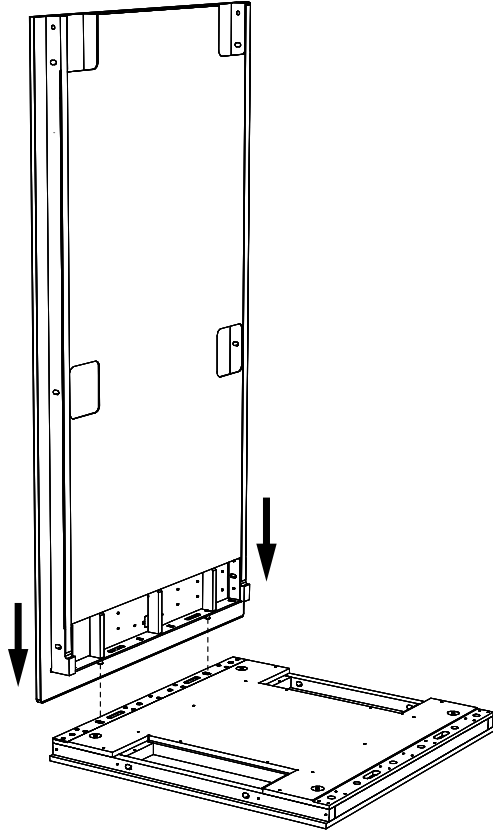




**3**

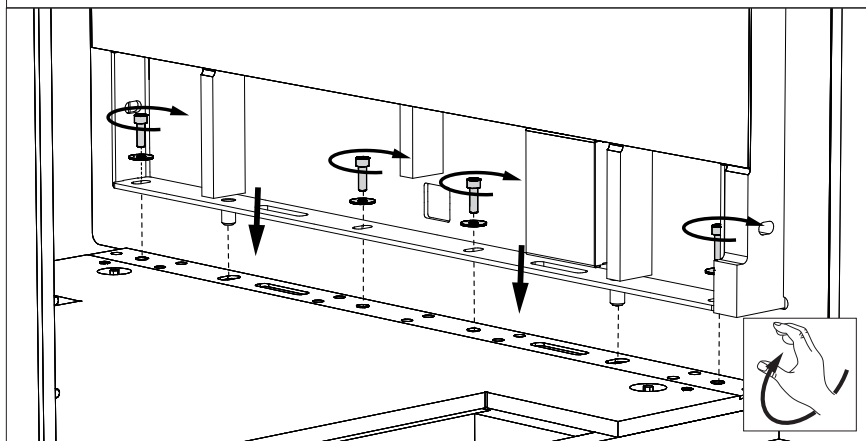
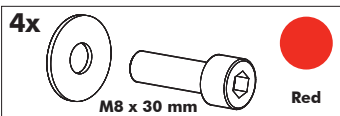
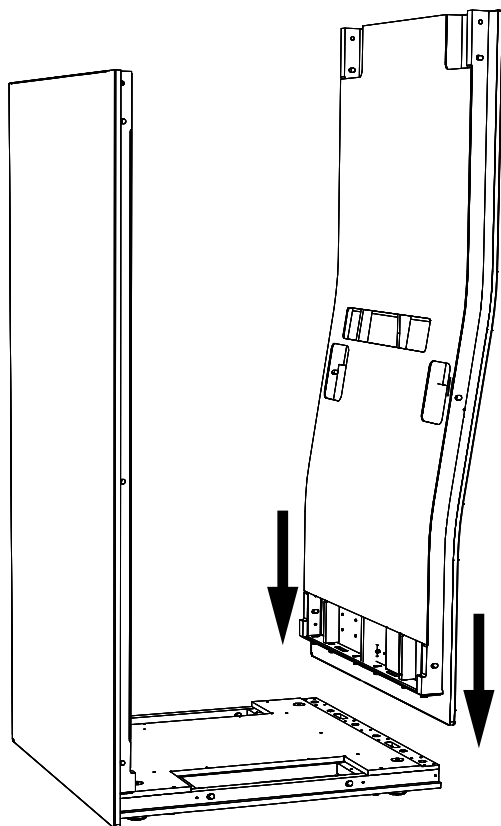


4

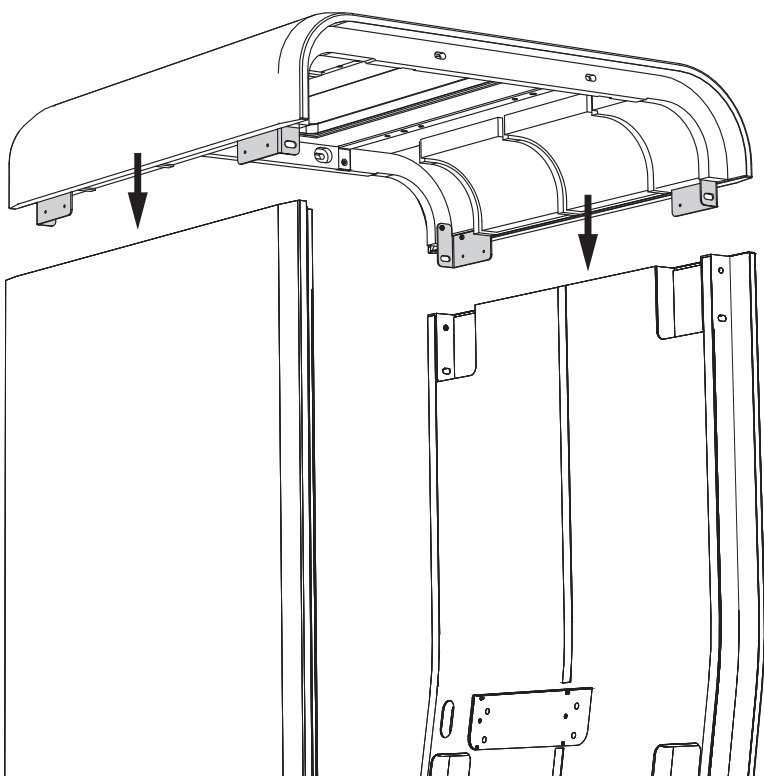
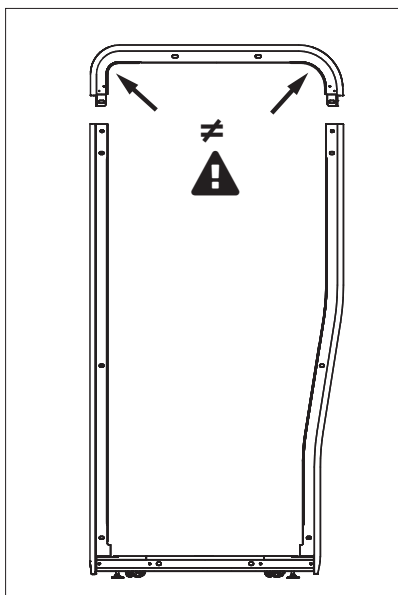


6

5

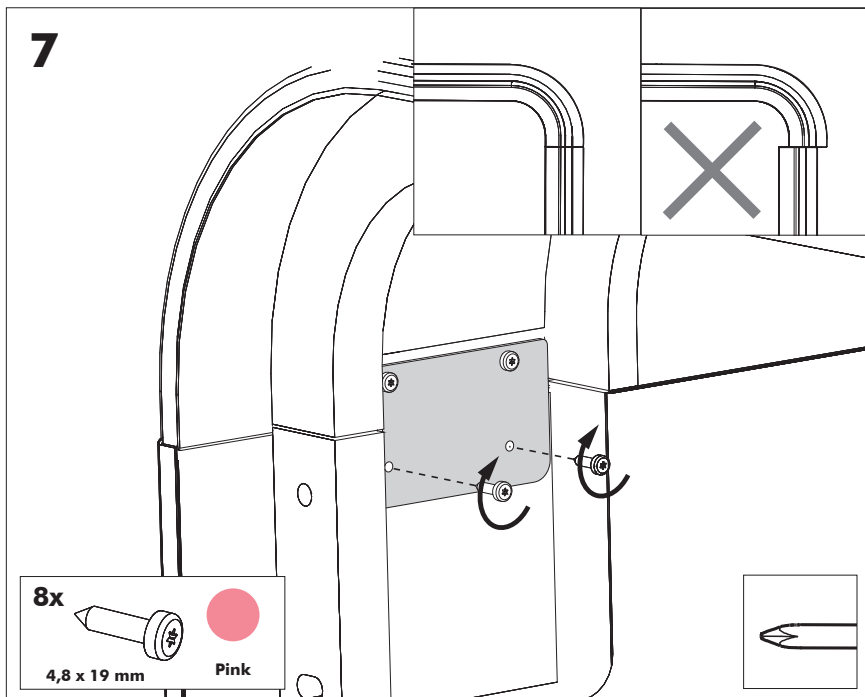


6

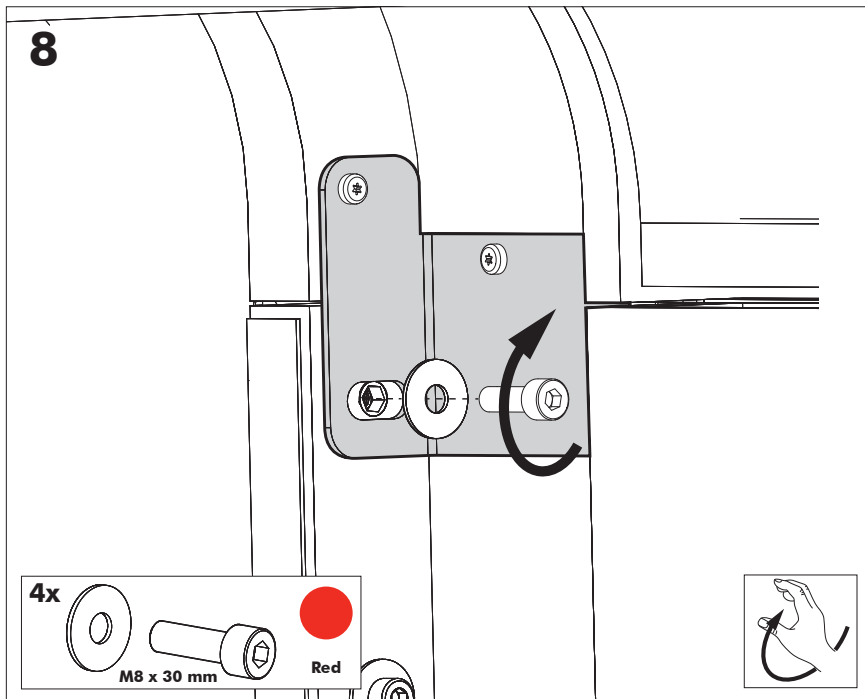


8

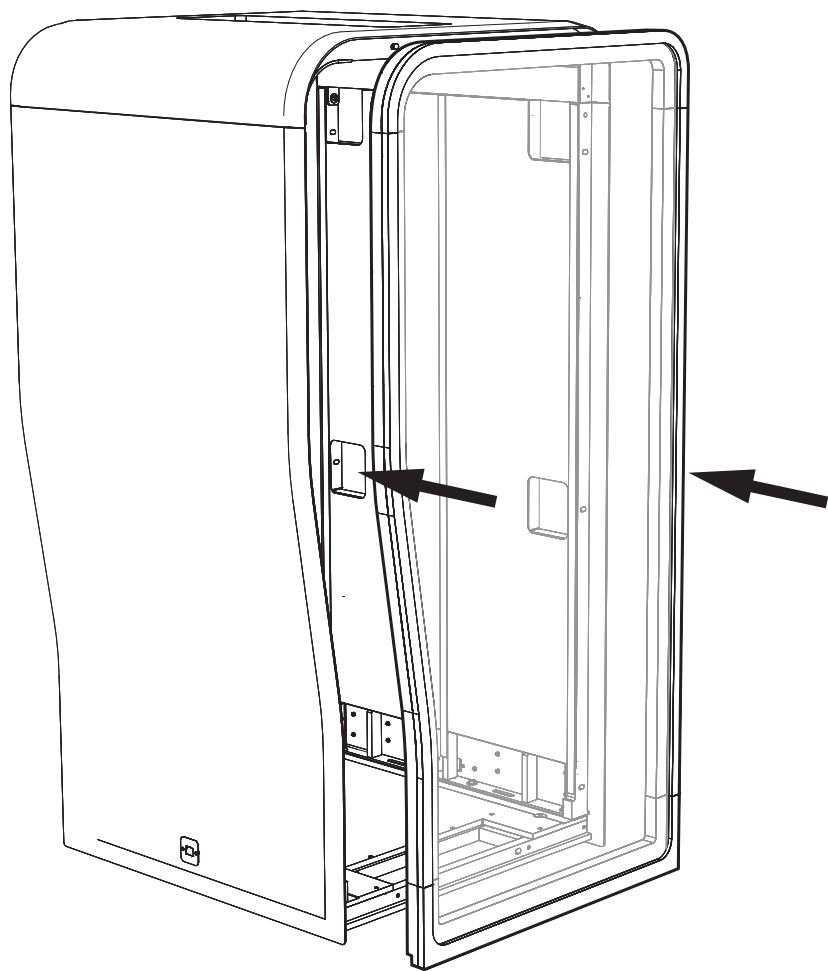
7



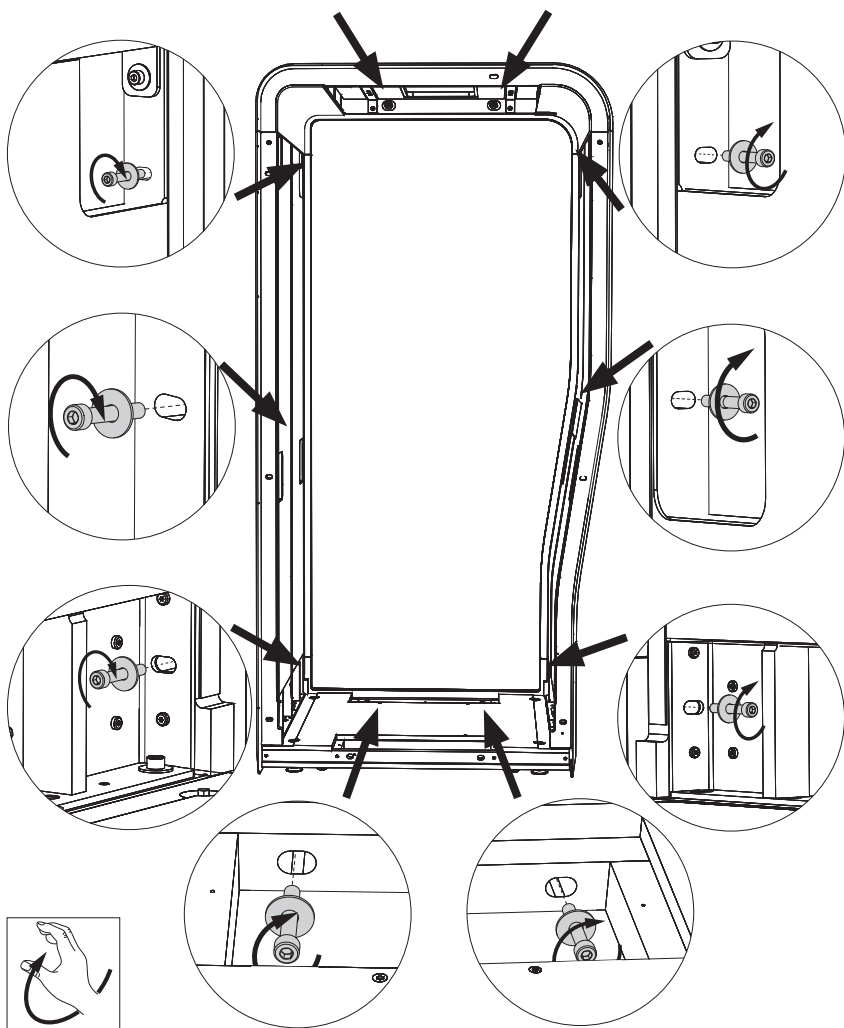
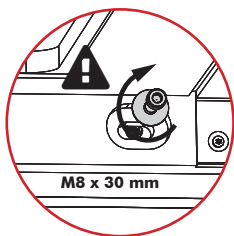
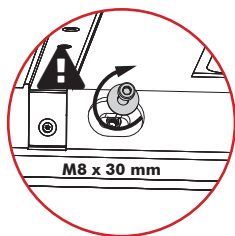
8



9



10



8x



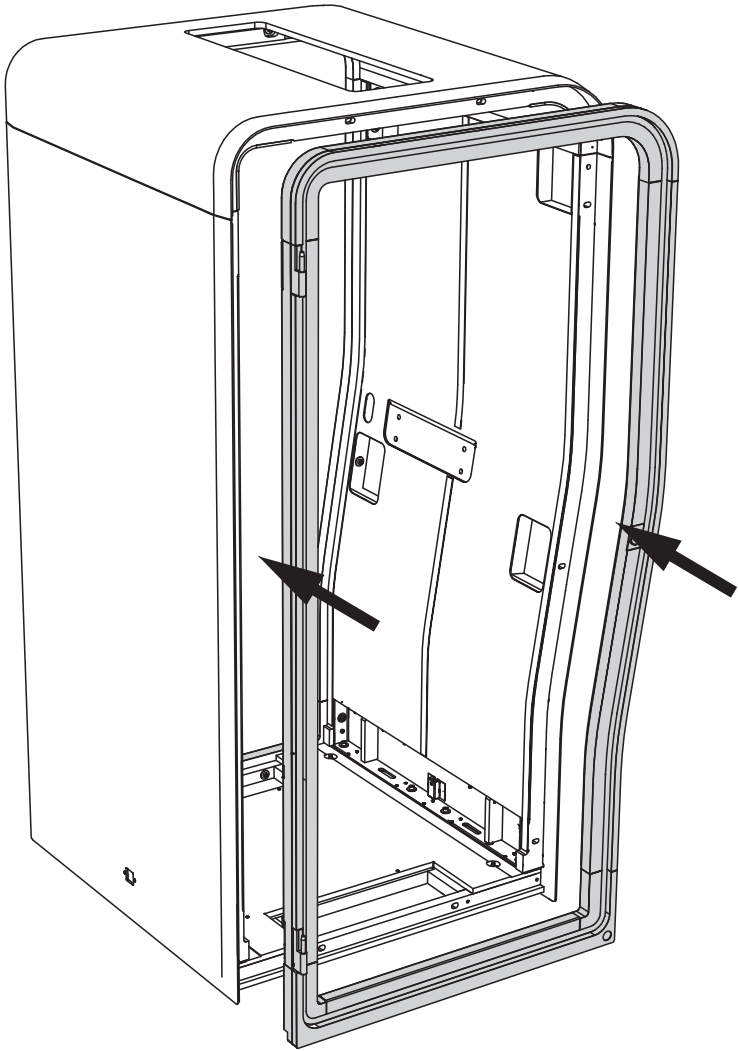
Yellow

2x



Red

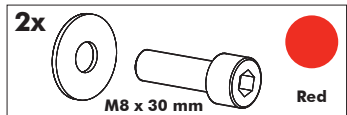
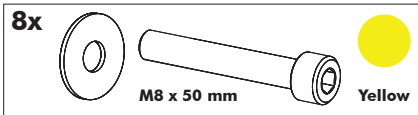
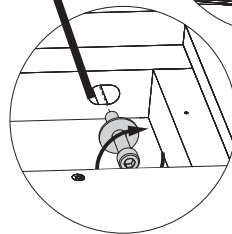
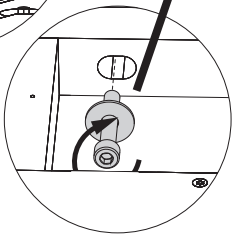
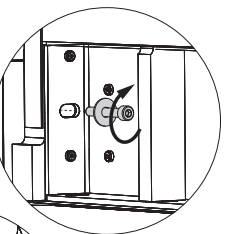
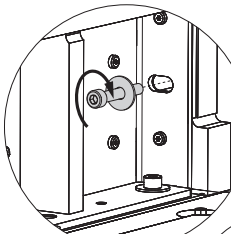
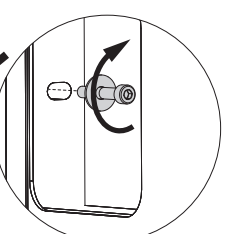
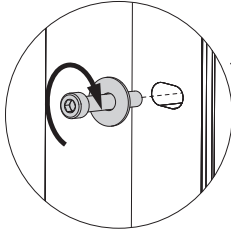
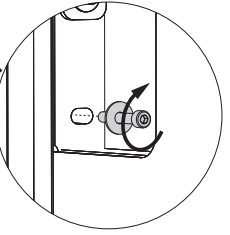
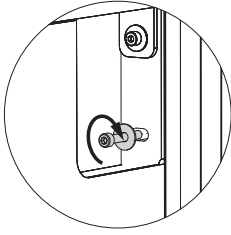
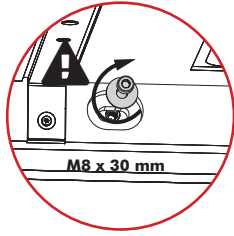
11



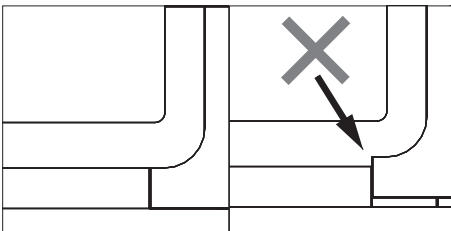
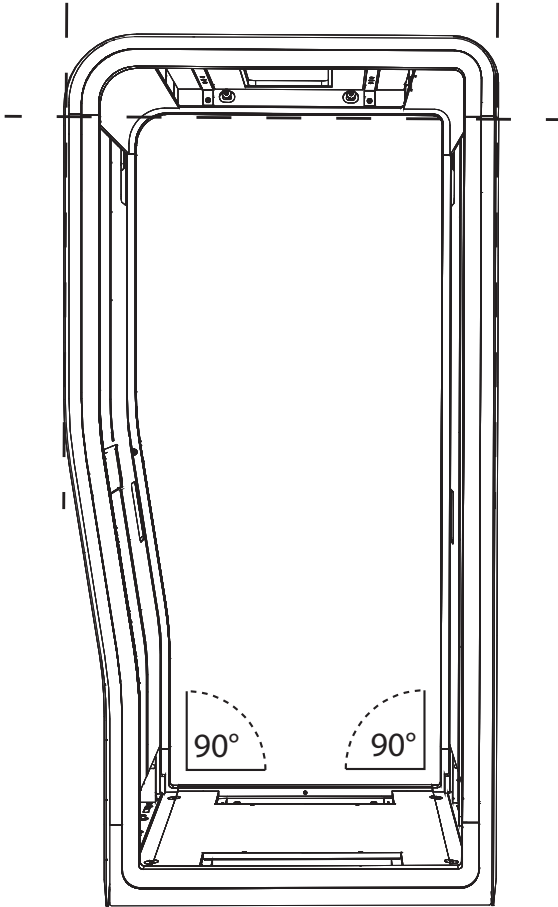
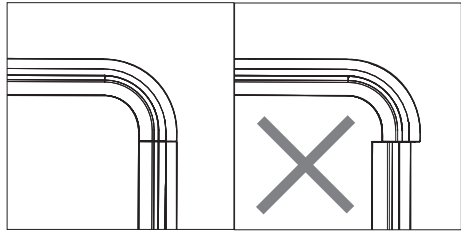
12



12

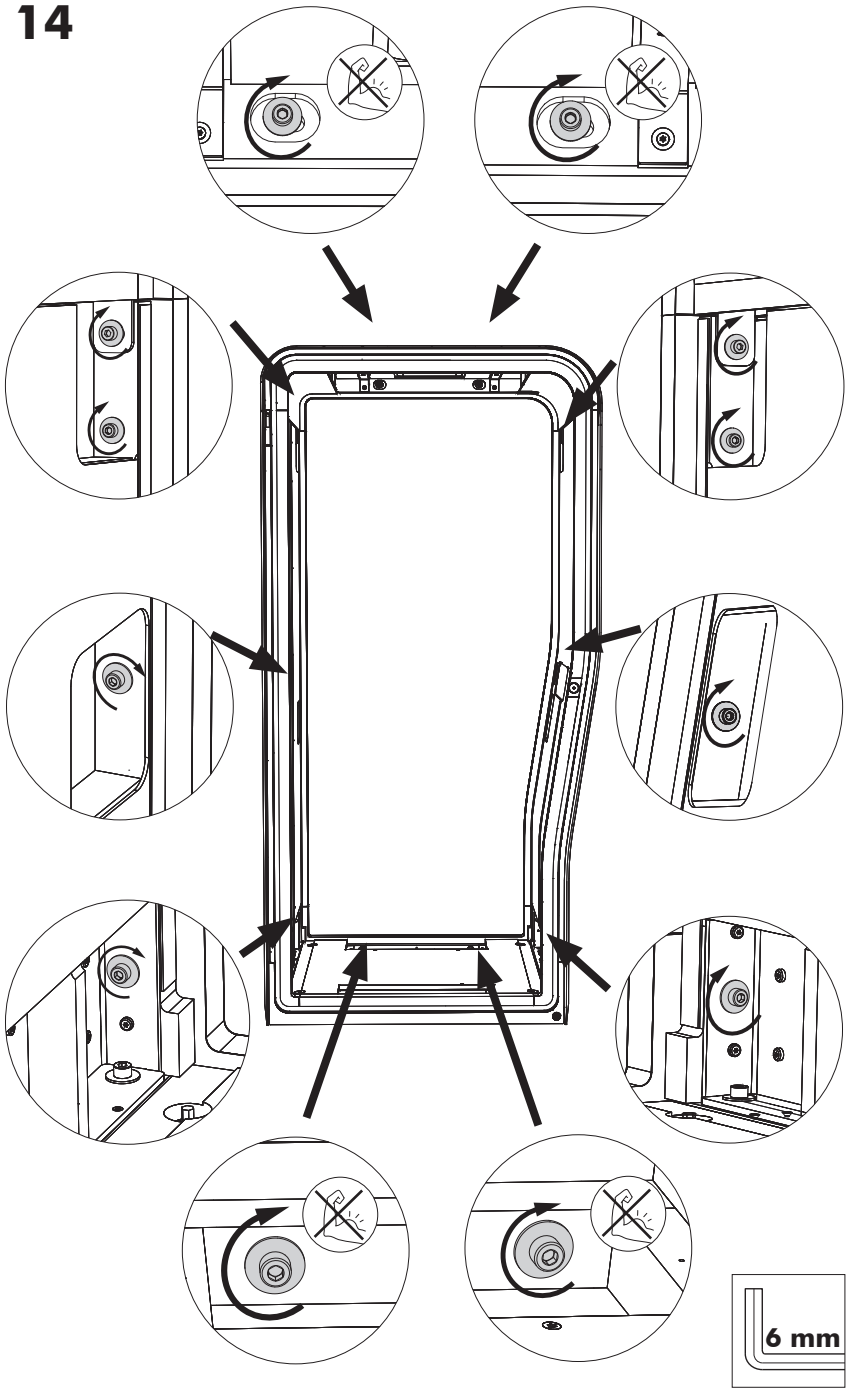


13

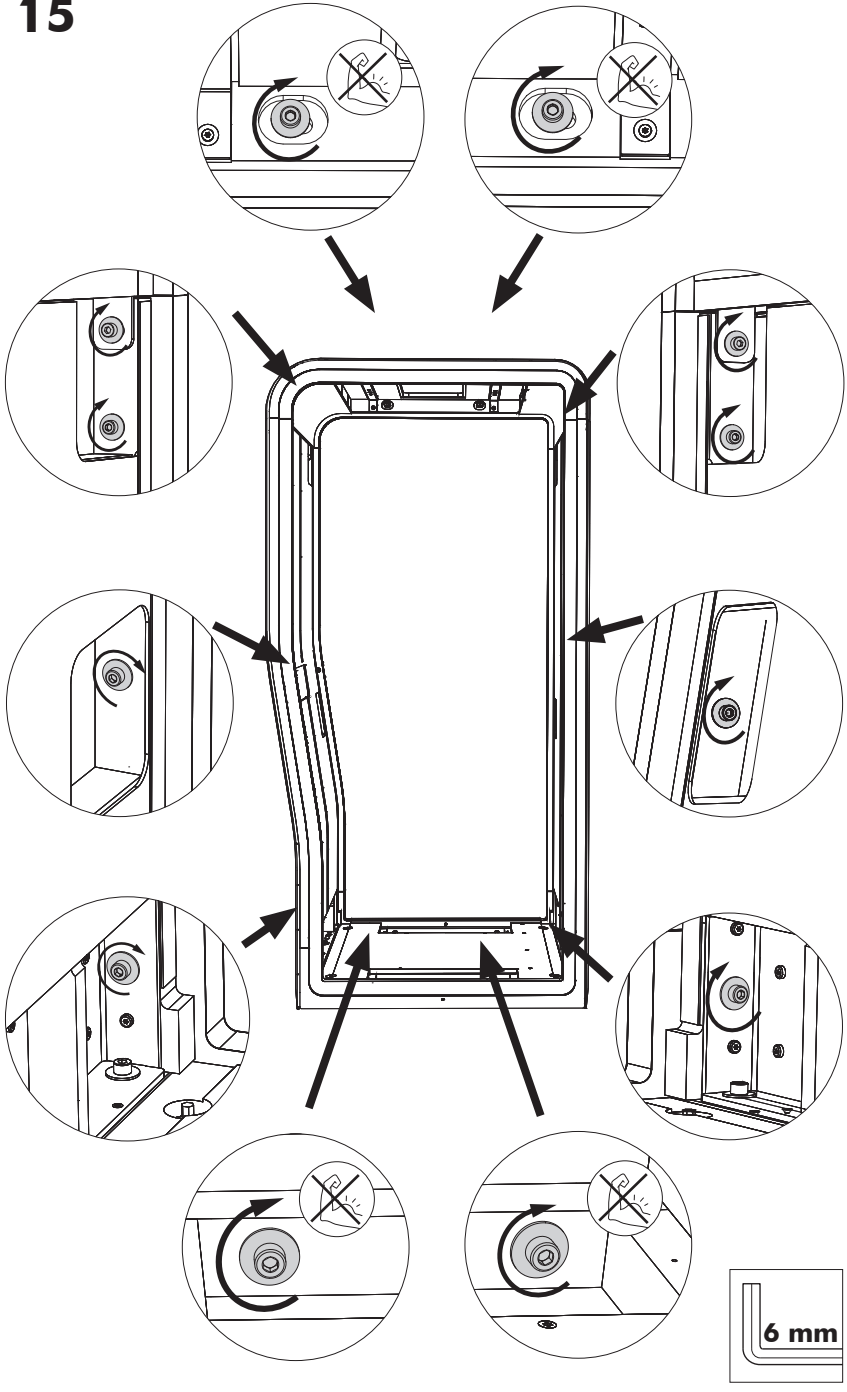


14

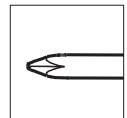
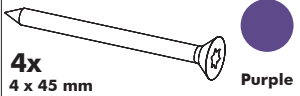
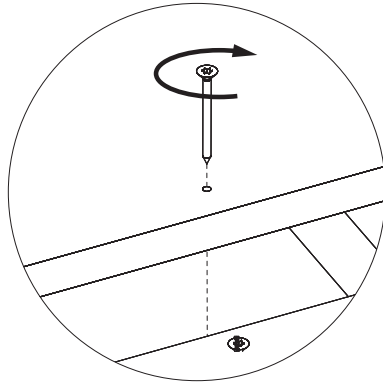
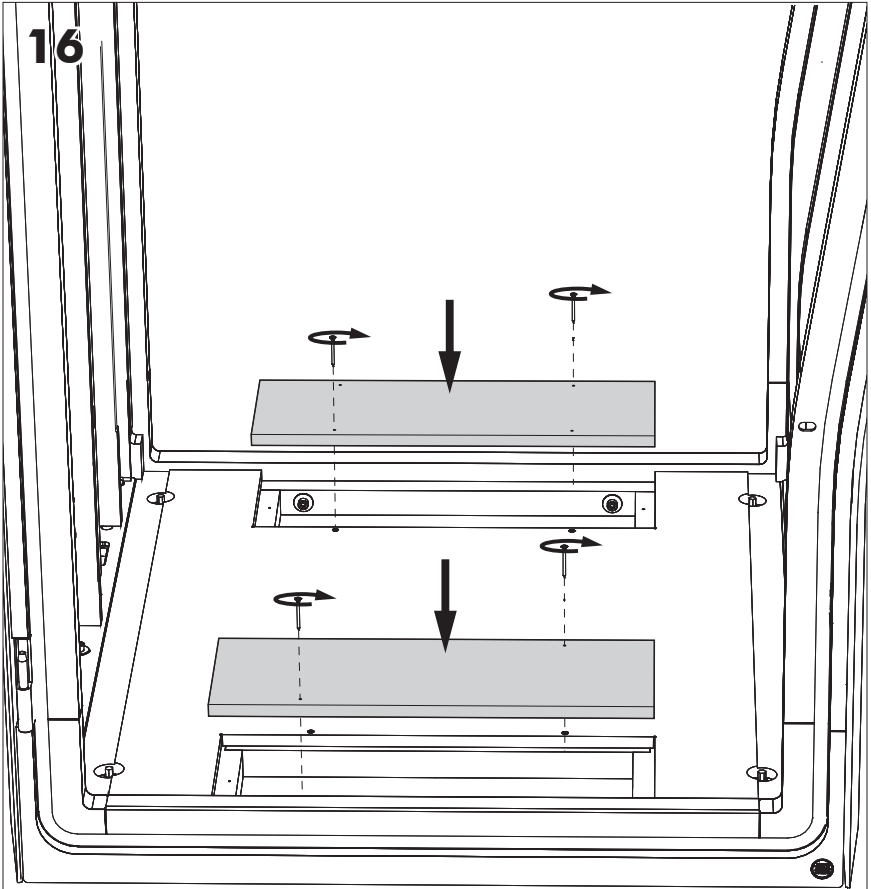
14



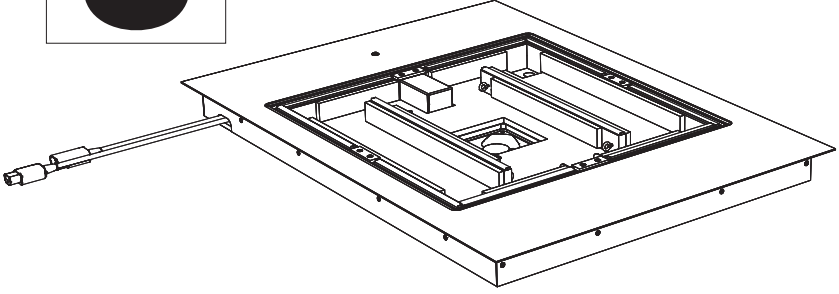
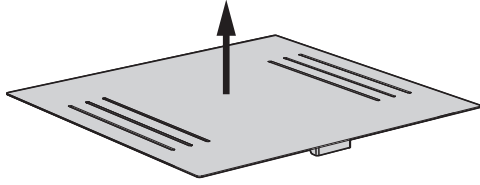
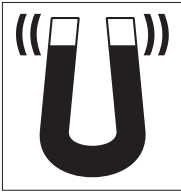
15



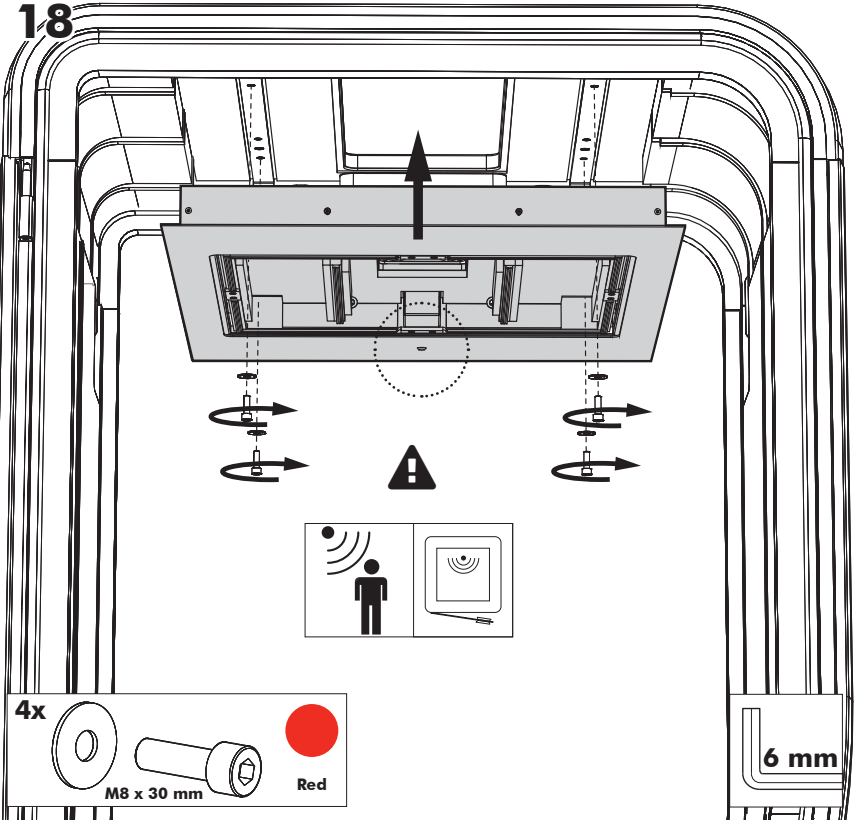
16

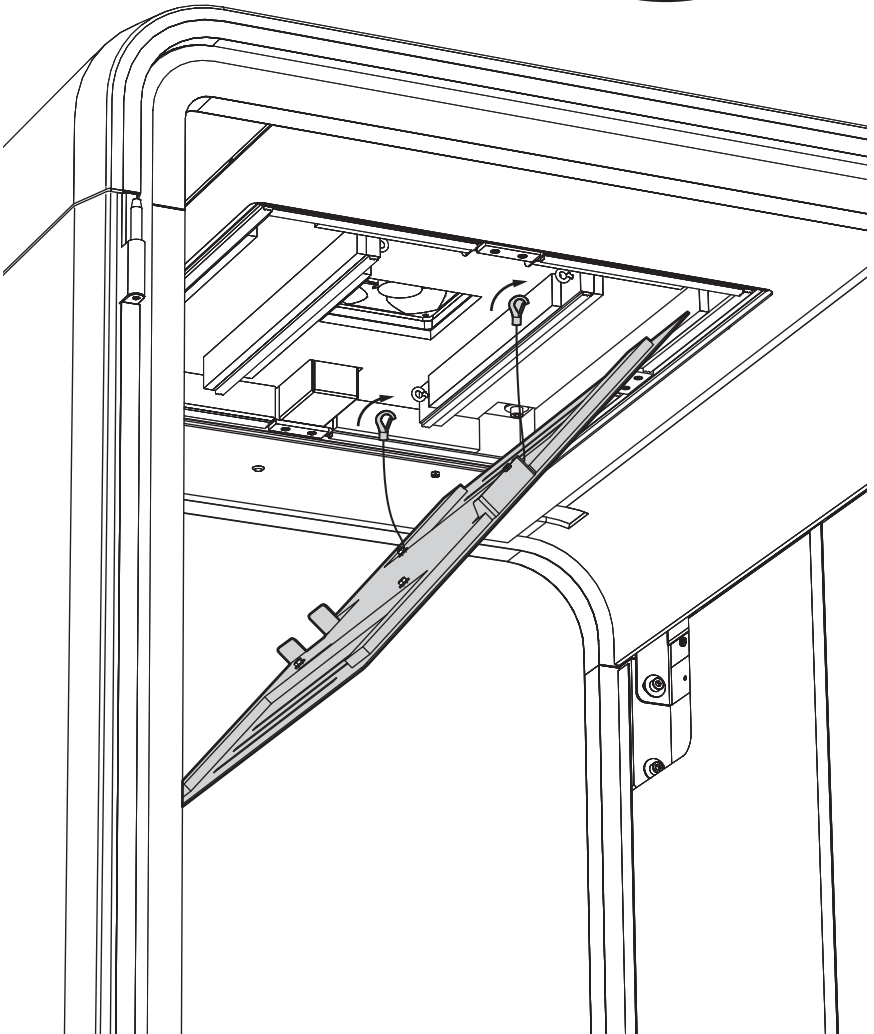
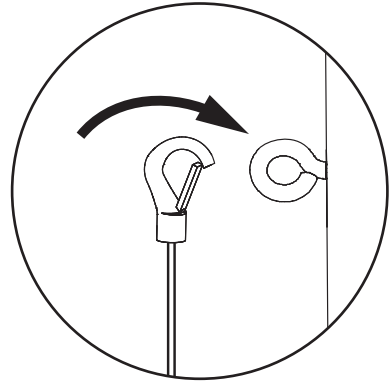


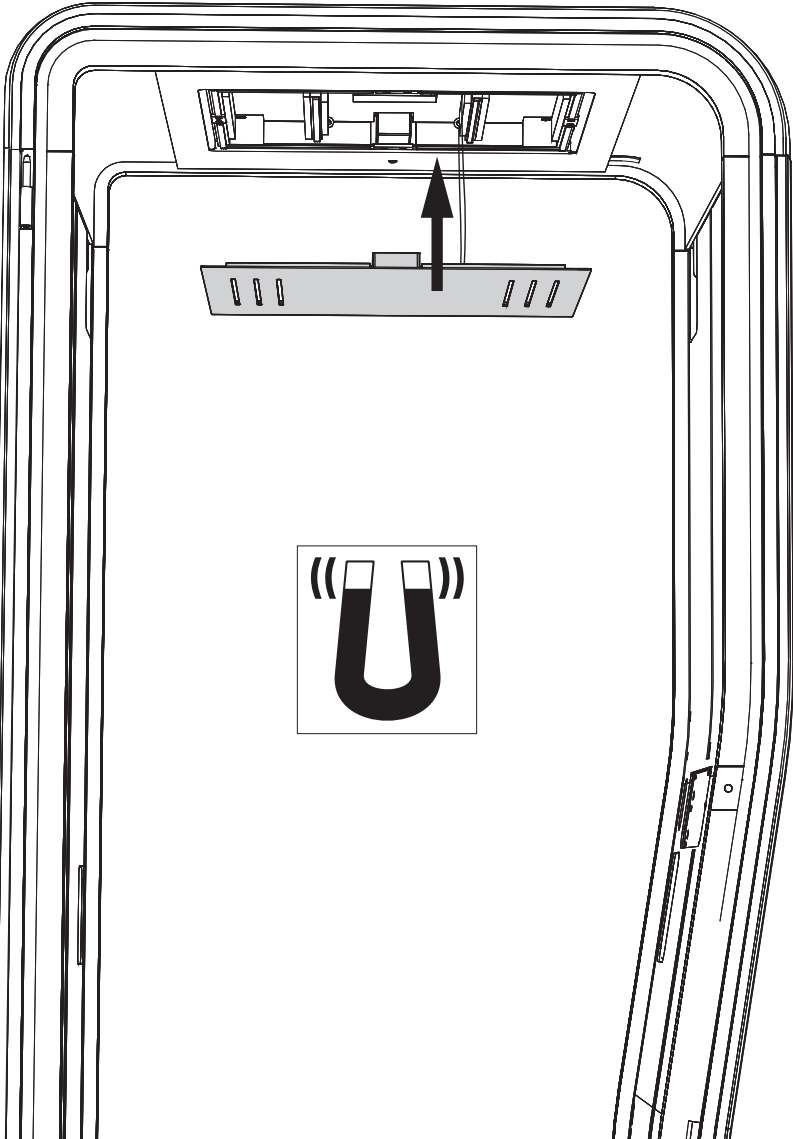
17



18

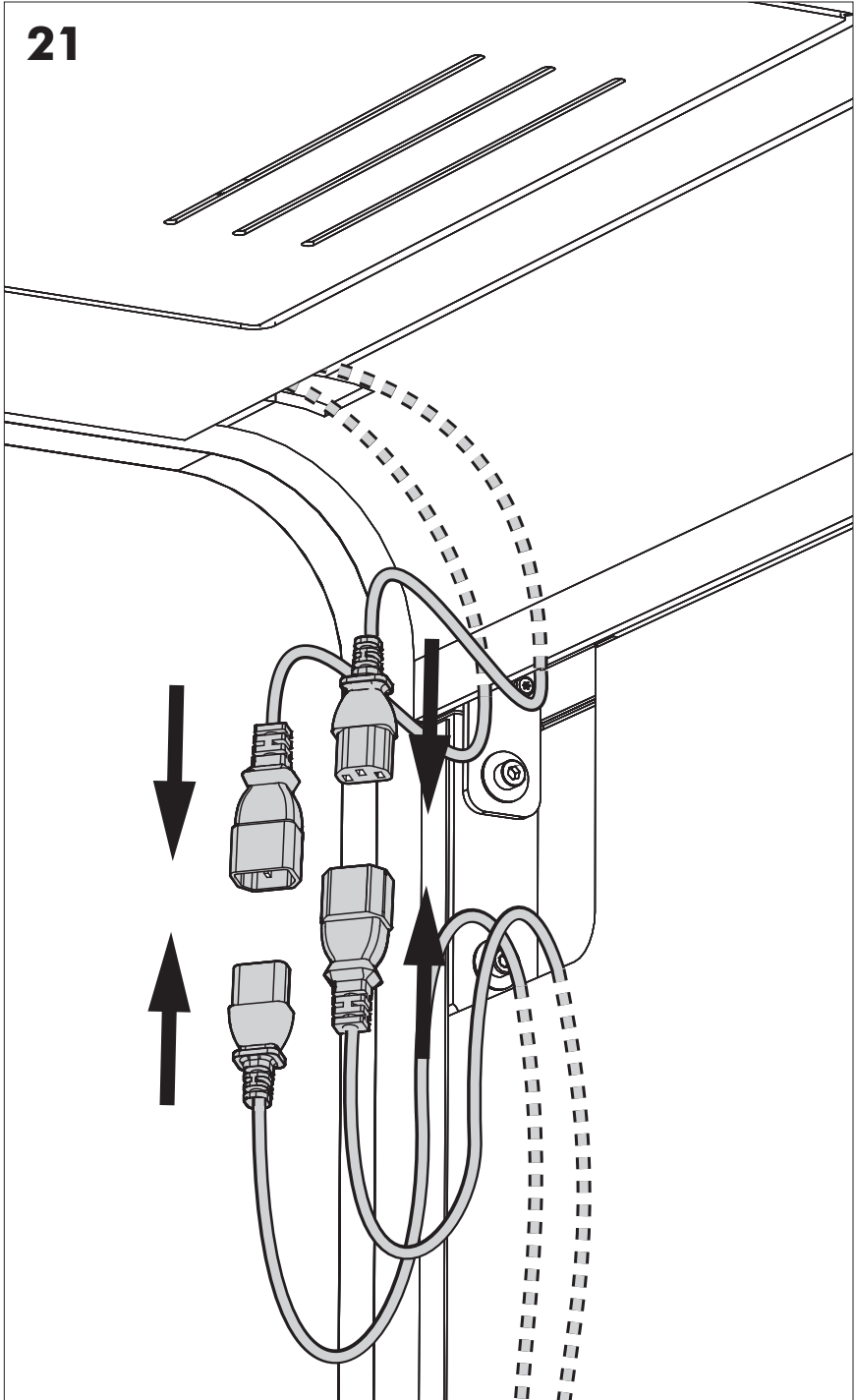




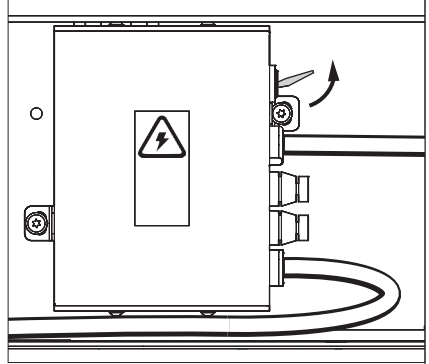
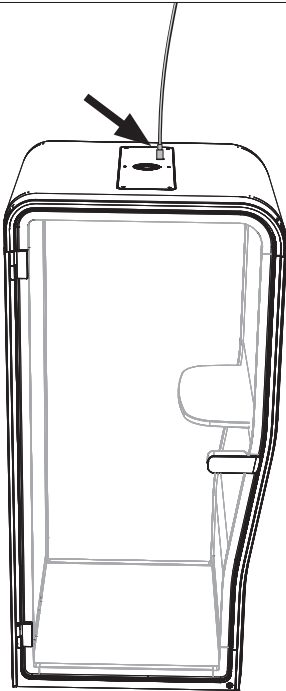
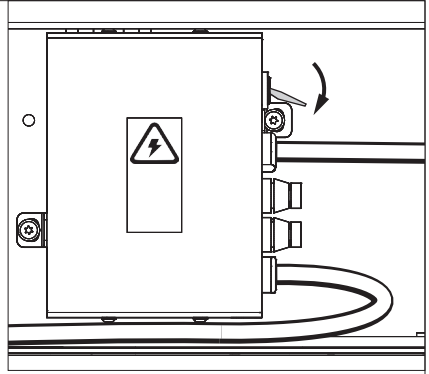
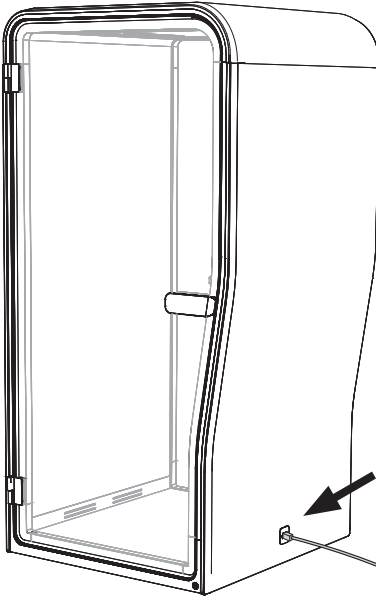




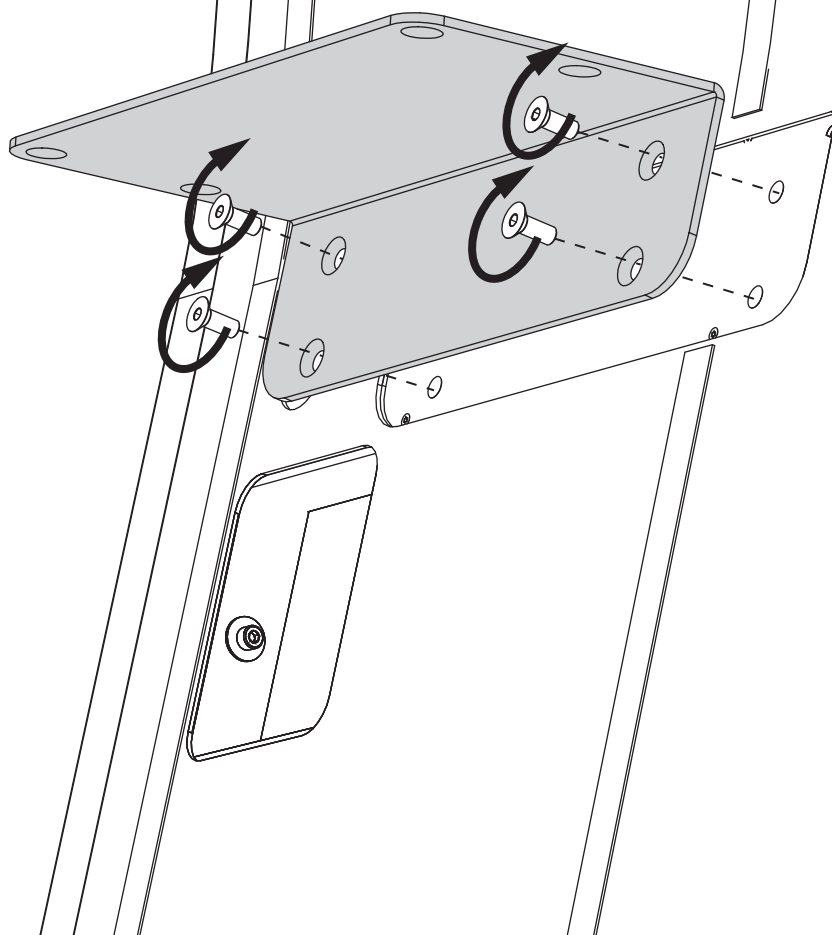
21



22



23



4x

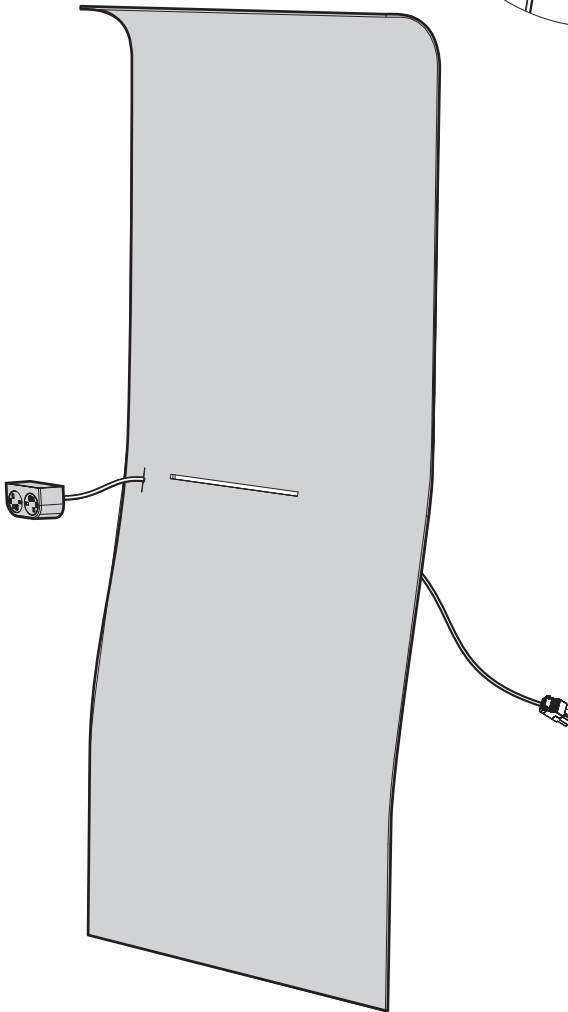
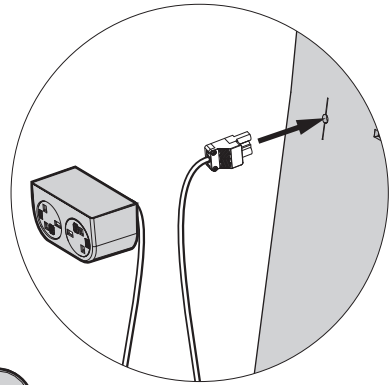


M10 x 40 mm

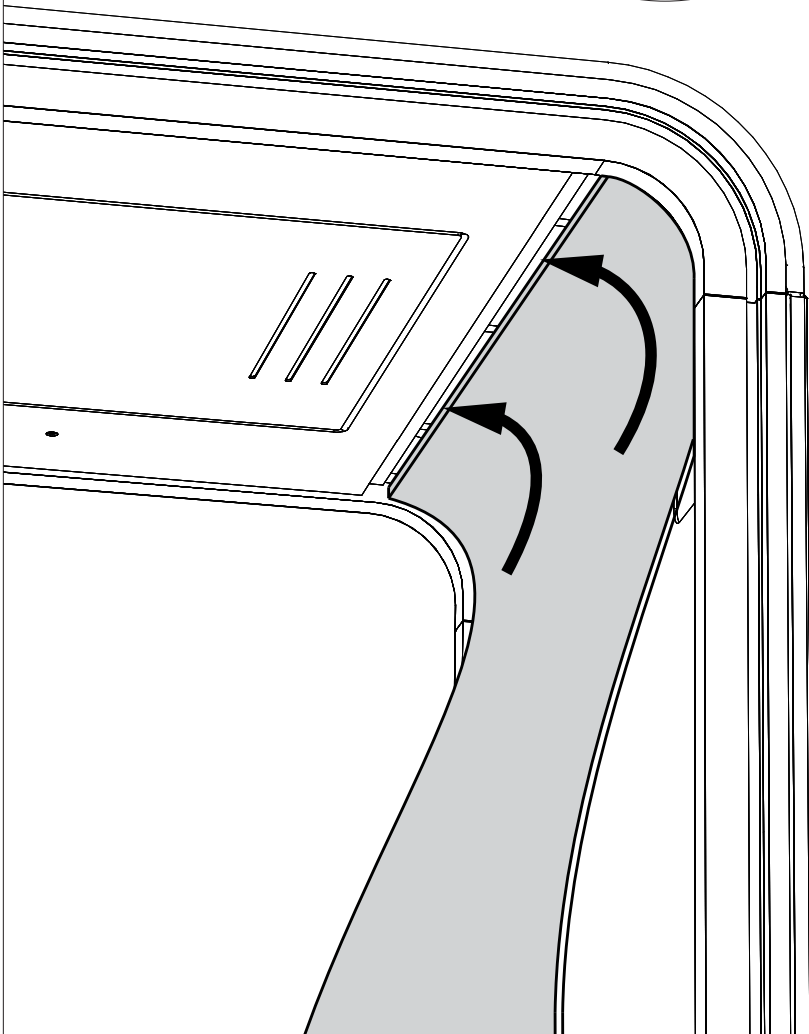
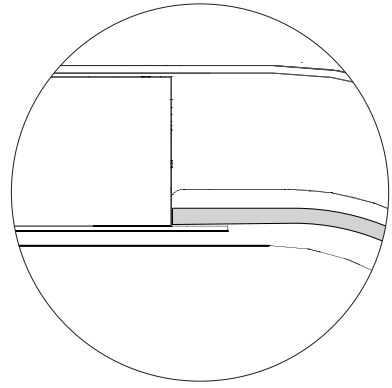


Green

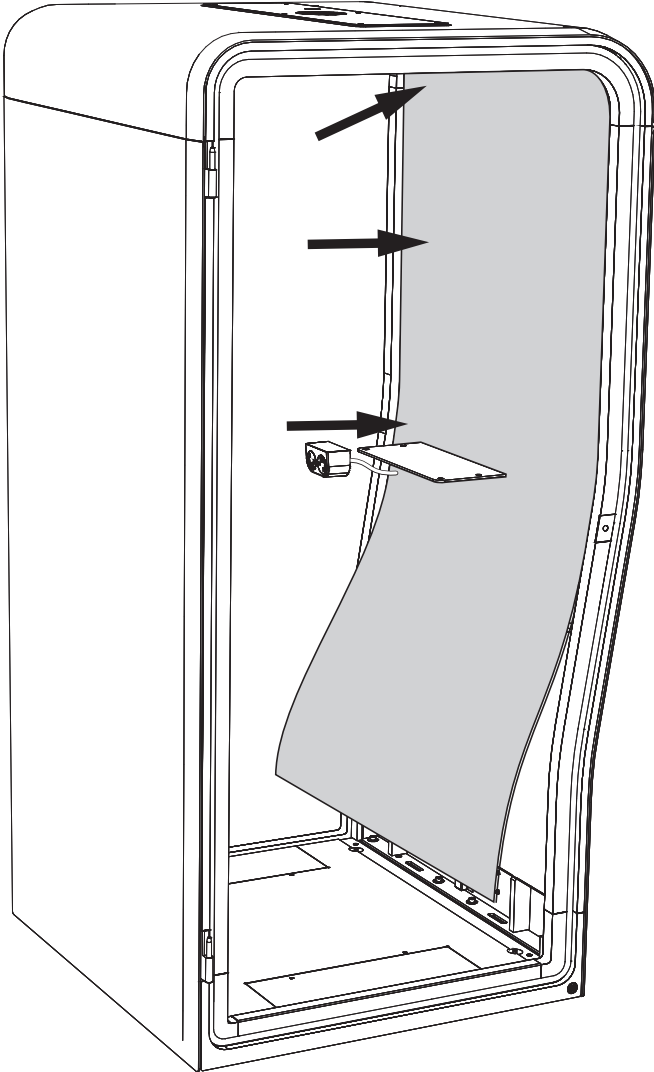
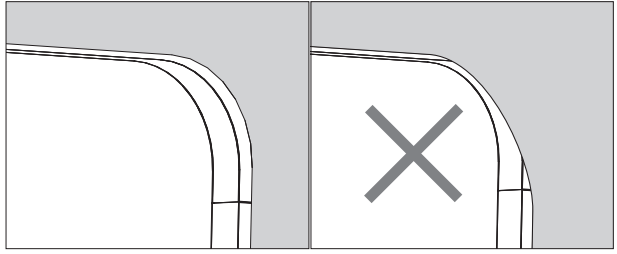
6 mm



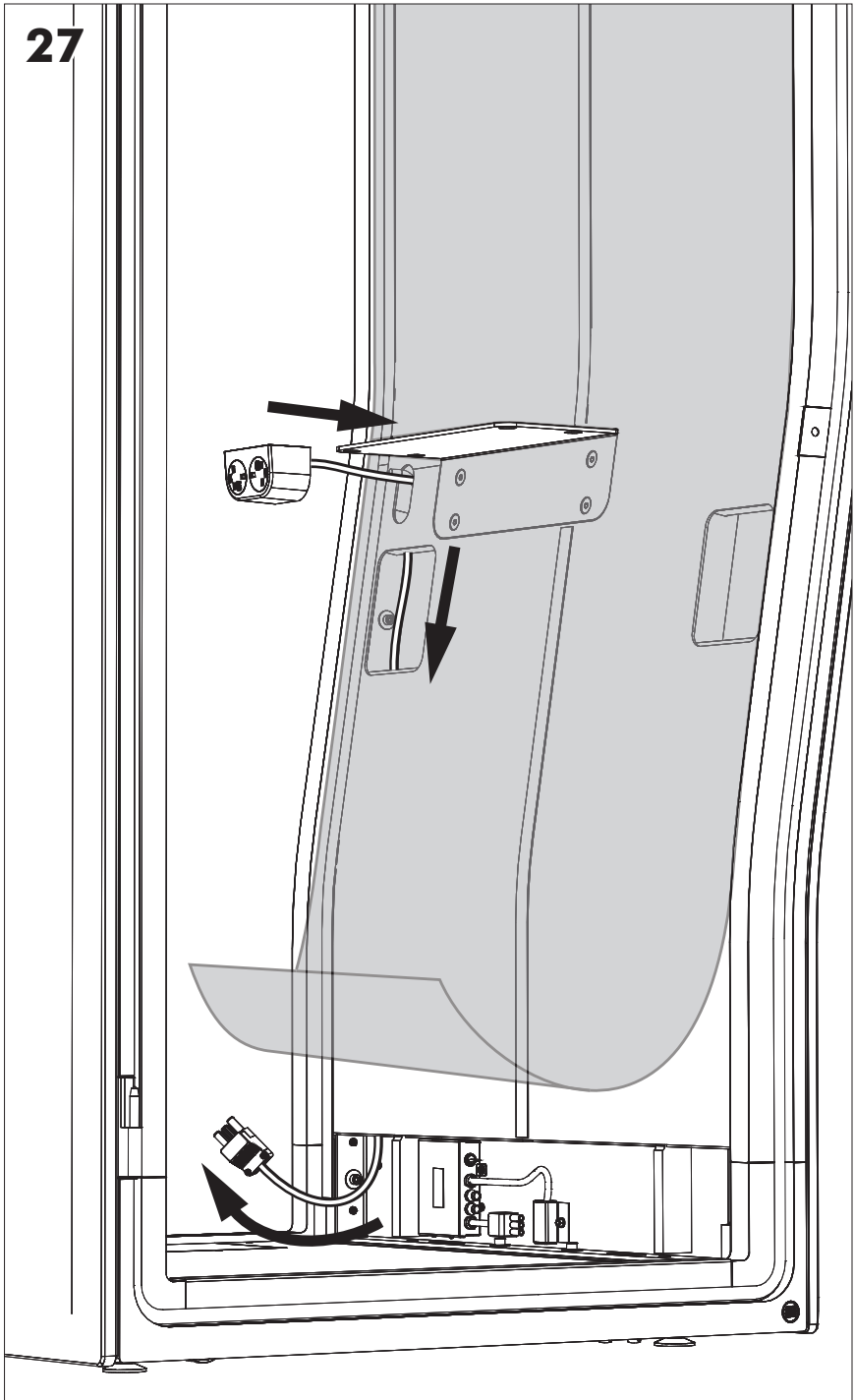
**25**



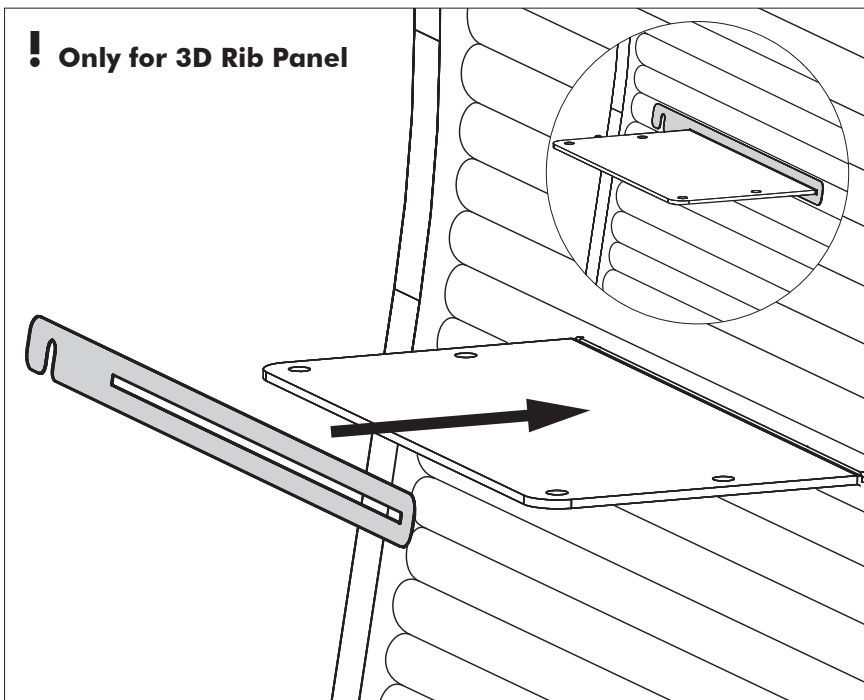
26



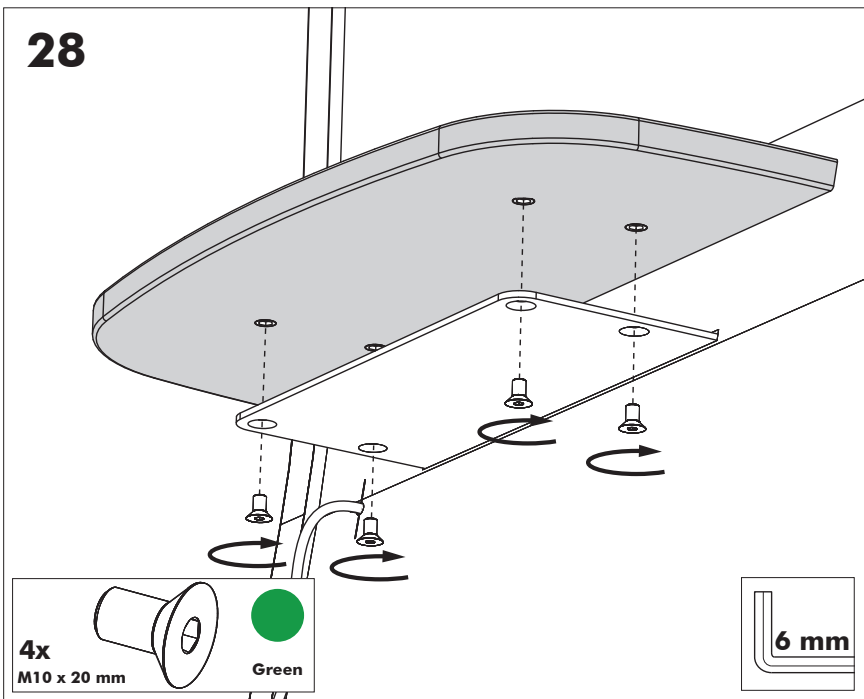
27



**!** Only for 3D Rib Panel

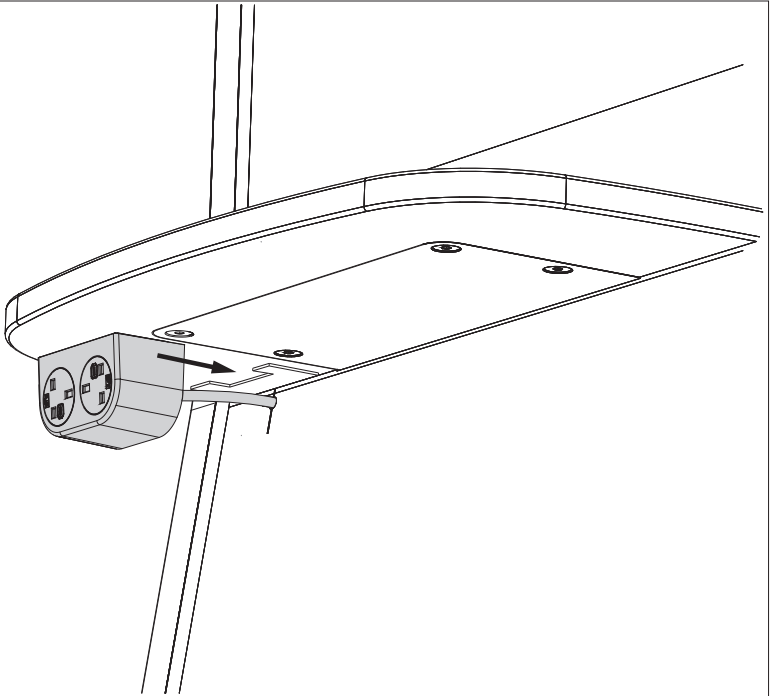


**28**

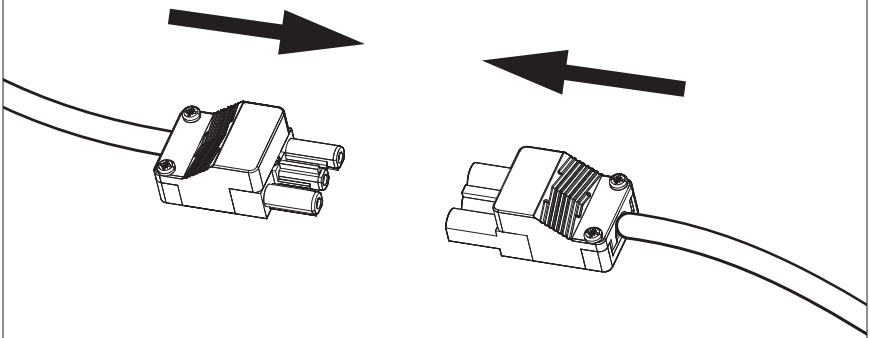




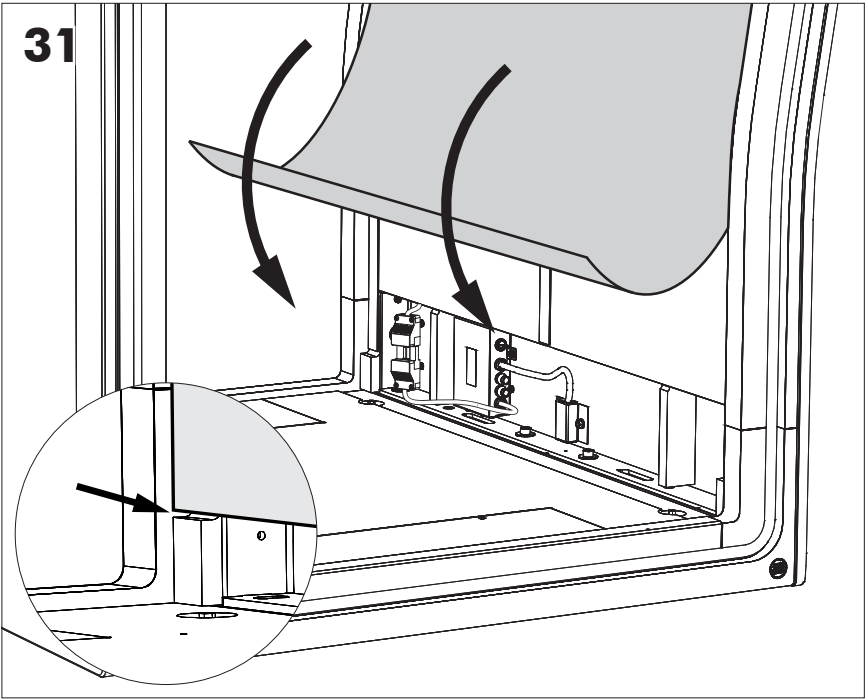
**29**



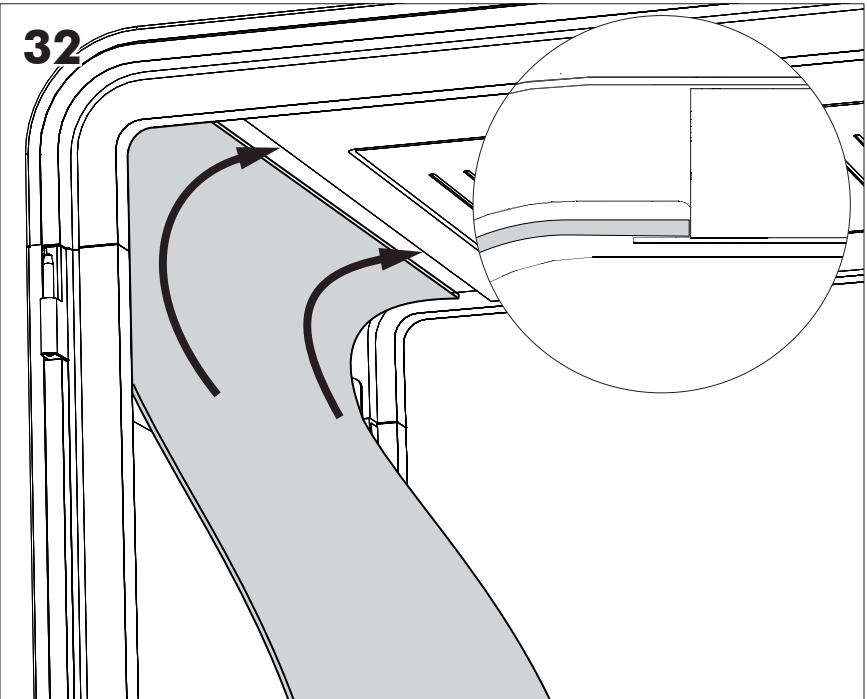
**30**



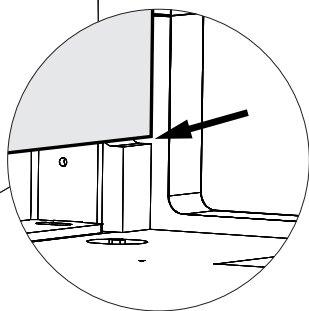
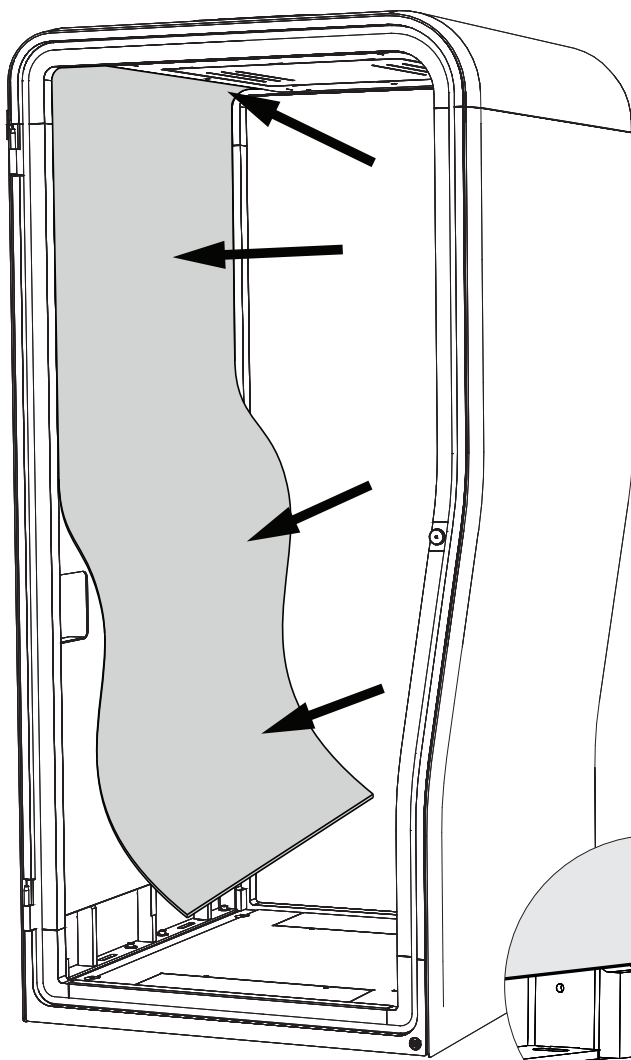
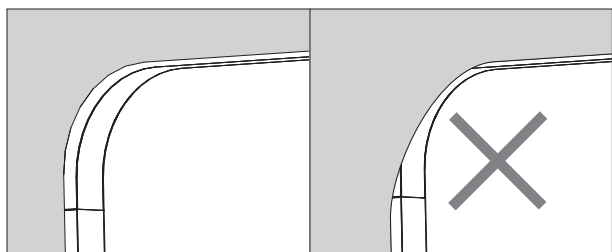
**31**



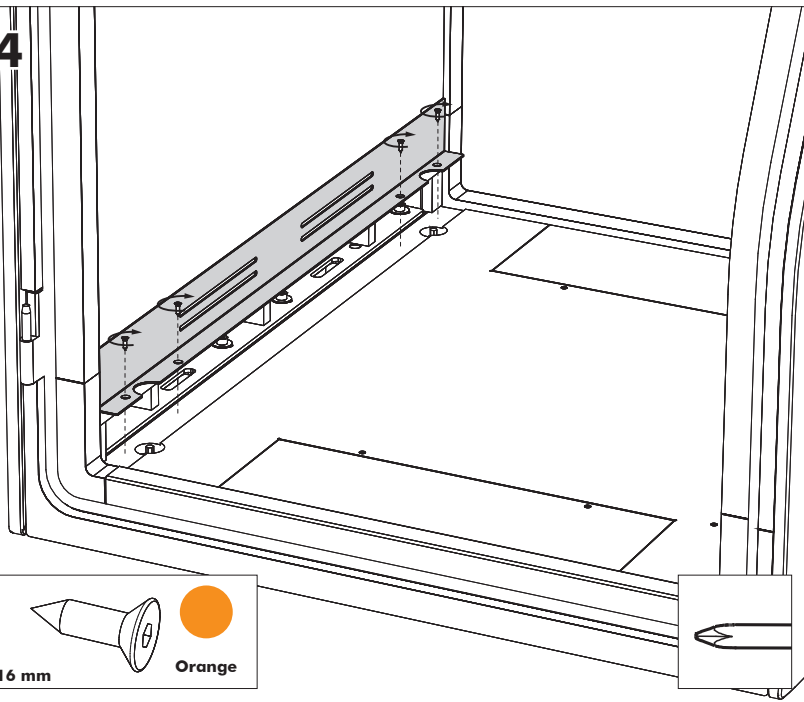
**32**



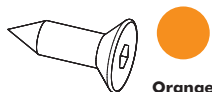
**33**



**34**

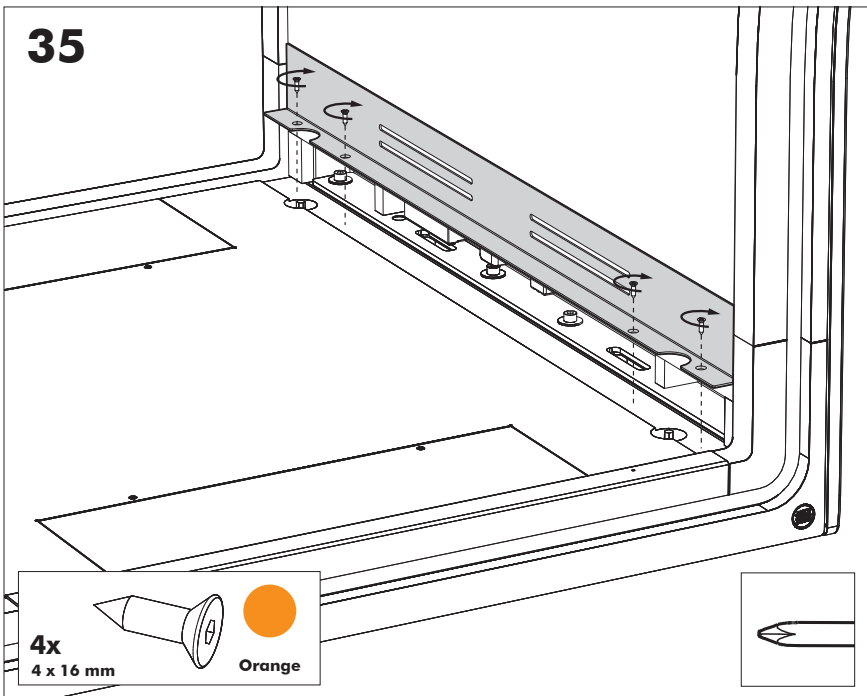


**4x**  
4 x 16 mm

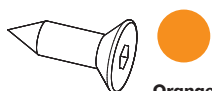


**Orange**

**35**

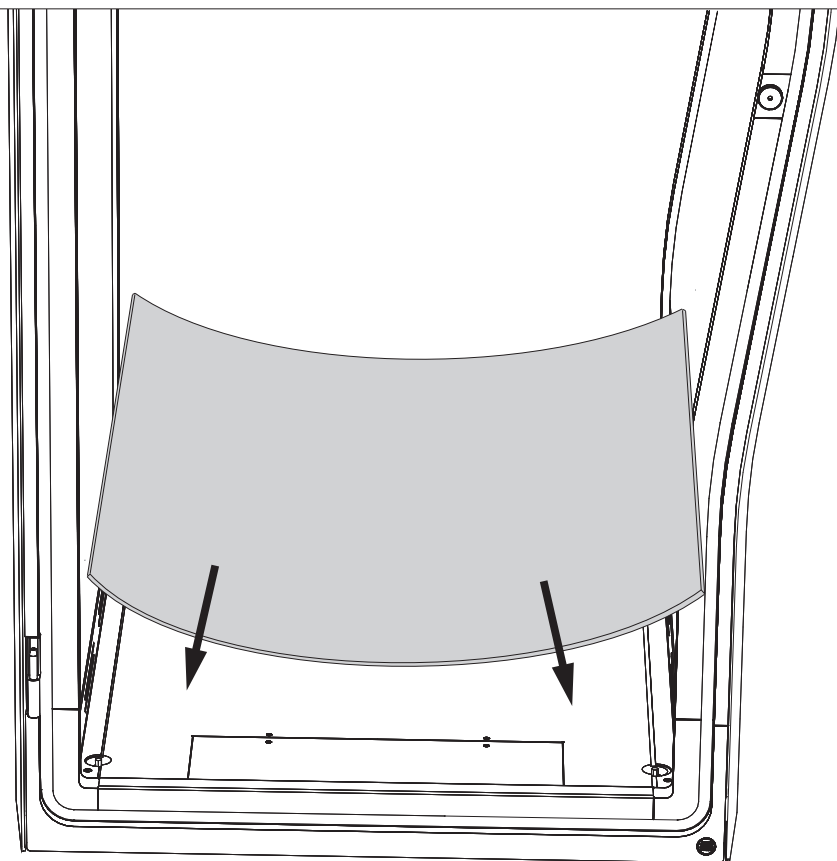
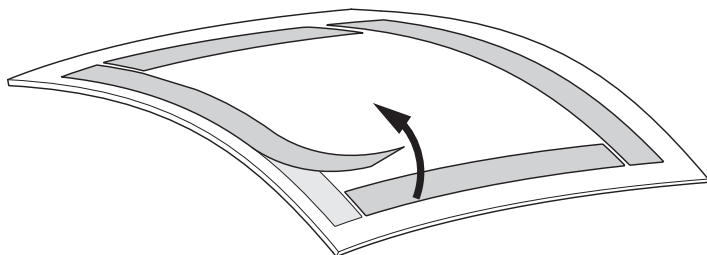


**4x**  
4 x 16 mm

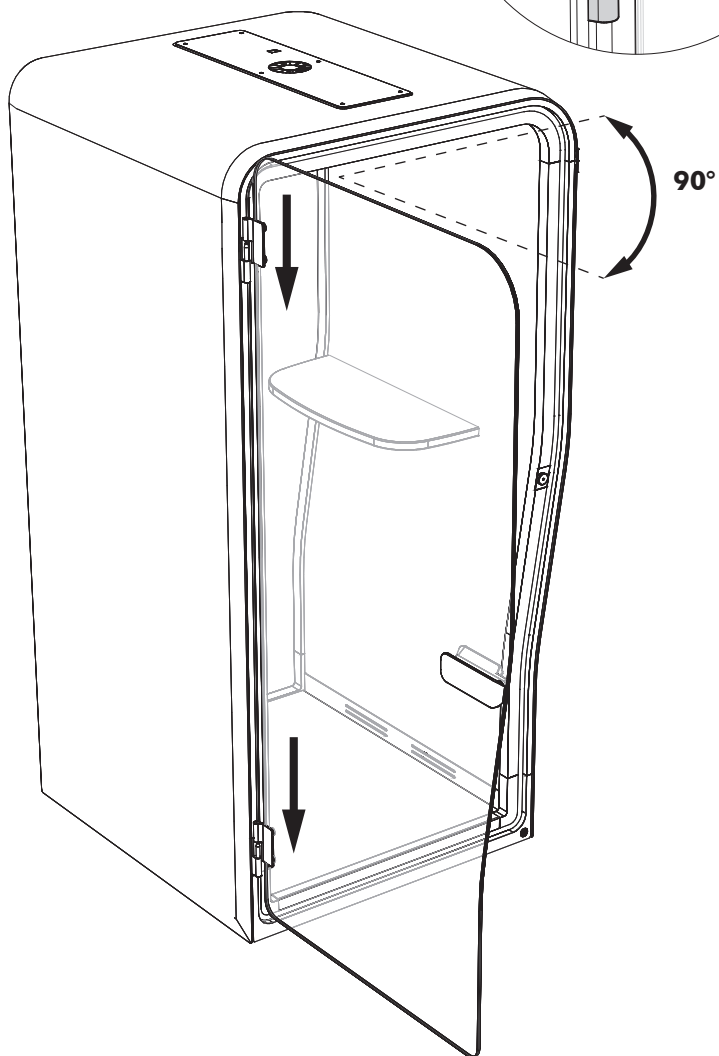
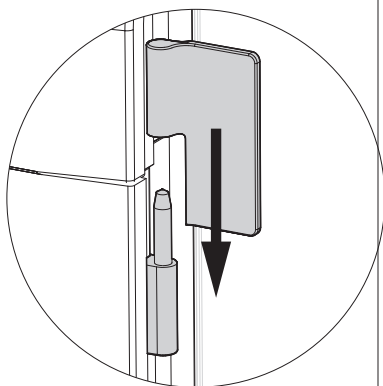


**Orange**

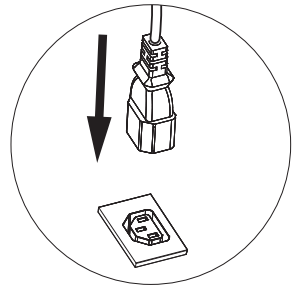
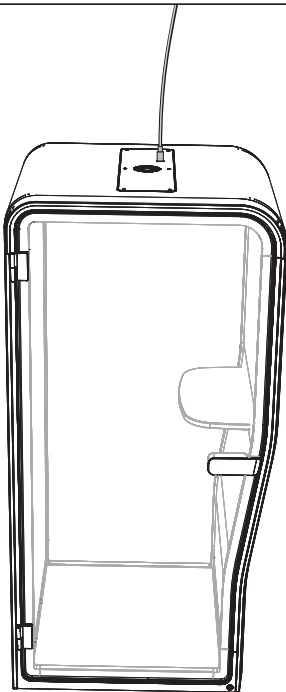
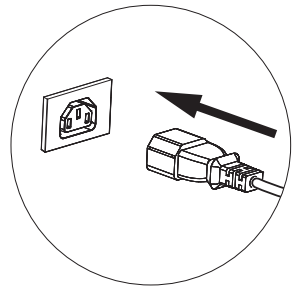
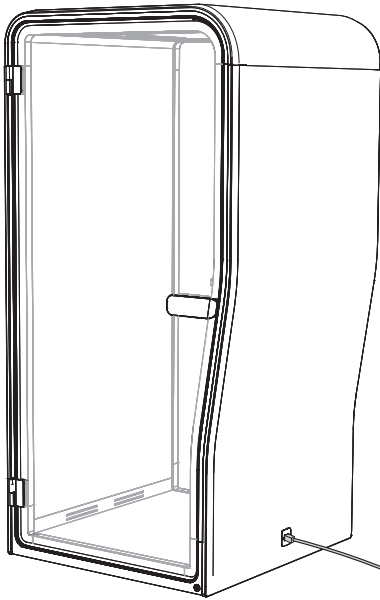
**36**



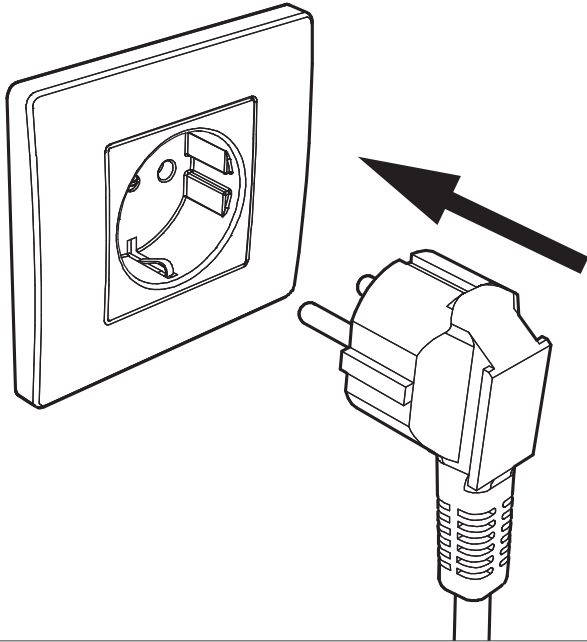
**37** 2 PERS. 



38

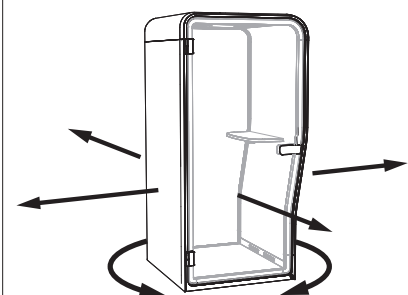


**39**

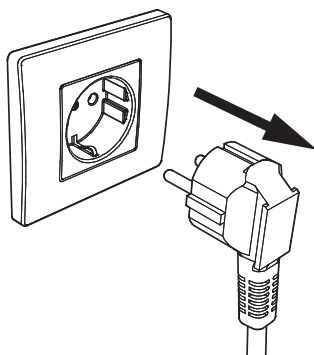




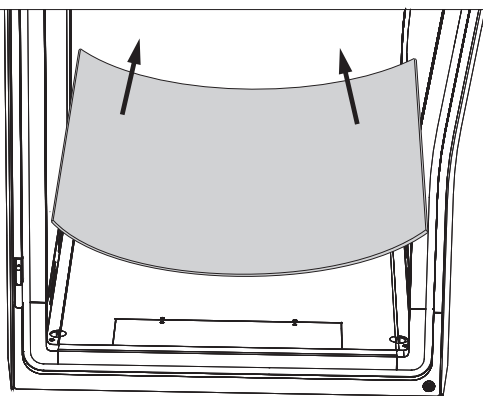
# Move Booth



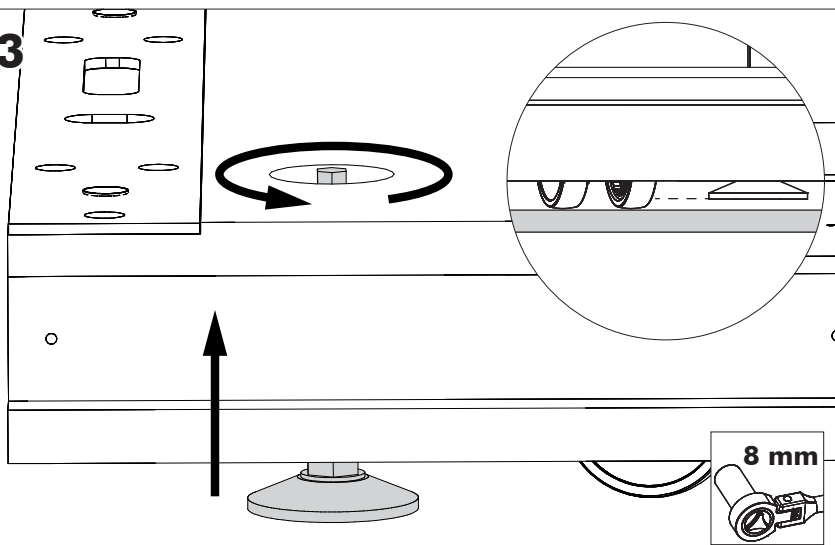
1



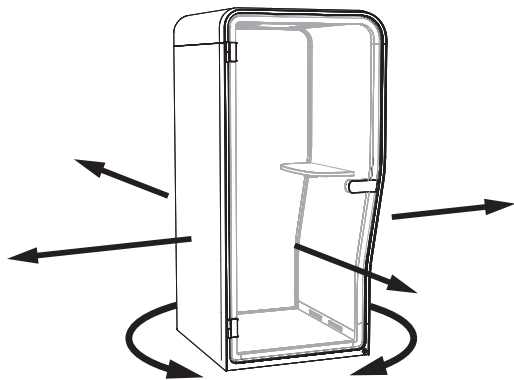
2



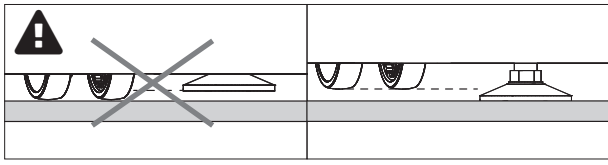
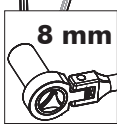
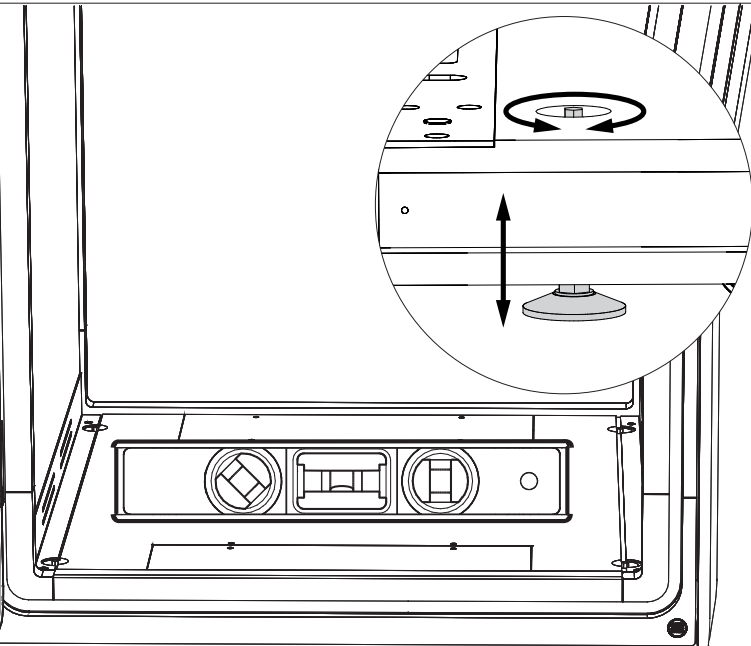
3

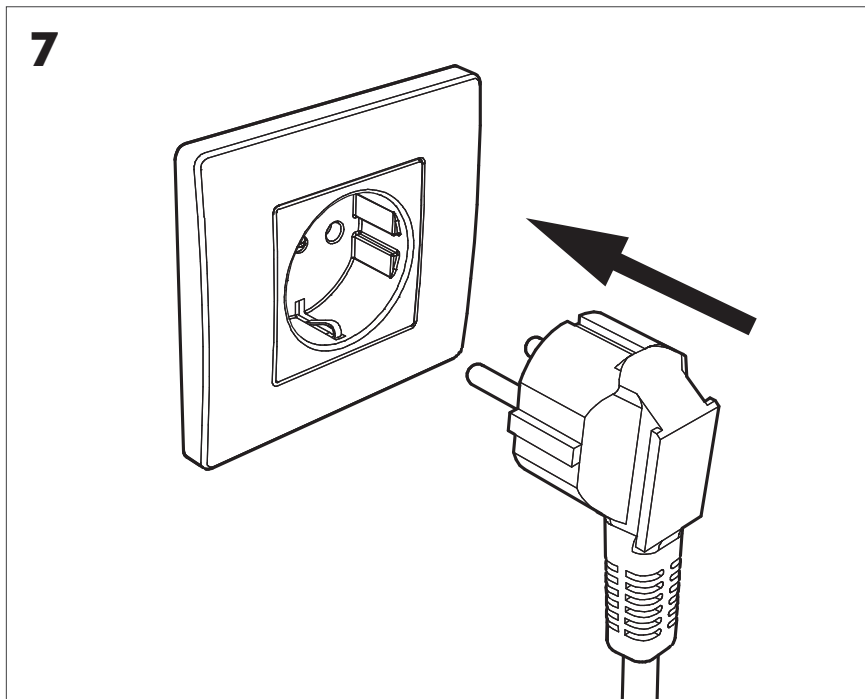
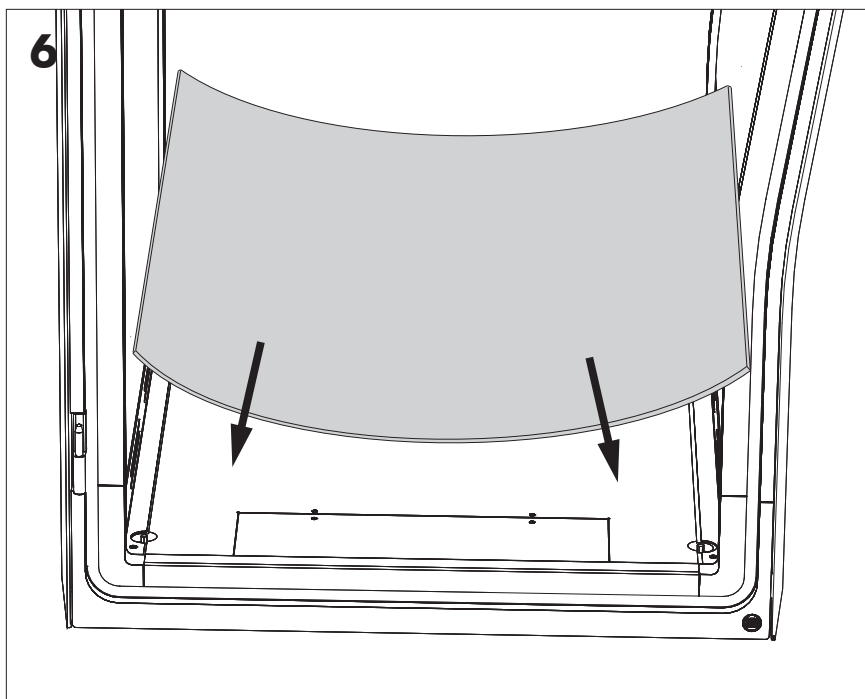


4

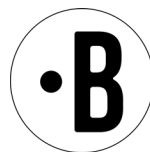


5





BuzziSpace  
Groeningenlei 141  
2550 Antwerp, Kontich  
Belgium  
☎ +32 (0)3 846 10 00  
✉ info@buzzi.space  
🌐 www.buzzi.space



Doc nr.: A-0000007320  
Last update: 26/11/2020