

# Duna 02

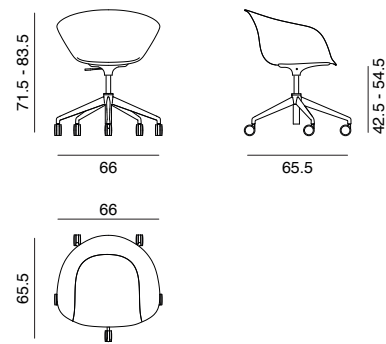
Design by Lievore Altherr Molina, 2014

## Art. 4219

Chair with polished or powdercoated aluminium five-star base, mounted on self braking castors and equipped with gas mechanism. Polypropylene shell available in 4 colors, with front upholstery in leather, coated fabric, fabric or customer's own material.

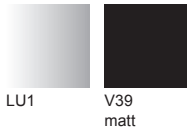


### Dimensions \*



\* File CAD 2D - 3D available for download at [www.arper.com](http://www.arper.com)

### Frame Base



### Shell

#### Polypropylene



### Carded In



### Graded In

**kvadrat**

**camira**

**Gabriel**

arper

info@arper.com

www.arper.com


# Duna 02


## Design by Lievore Altherr Molina, 2014

---

### SHIPMENT DETAILS

**Art.4219**

1 pz = 2  - kg 19,08/ m³ 0,41

4 pz = 5  - kg 68,6/ m³ 1,14

---

### TECHNICAL SPECIFICATIONS

**Art.4219**

COL requirement m² 1.44

H 140 cm. COM Meterage m 1.05

---

### RESISTANCE TEST

- EN 1728:2012 - EN 16139:2013 6.10
- EN 1728:2012 - EN 16139:2013 6.17
- EN 1728:2012 - EN 16139:2013 6.20
- EN 1728:2012 - EN 16139:2013 6.26
- EN 1728:2012 - EN 16139:2013 6.5
- EN 1728:2012 - EN 16139:2013 6.11
- EN 1728:2012 - EN 16139:2013 6.18
- EN 1728:2012 - EN 16139:2013 6.25
- EN 1728:2012 - EN 16139:2013 6.4

---

### FIRE RETARDANT TEST

---

### ENVIRONMENTAL CERTIFICATIONS



arper

www.arper.com  
info@arper.com

www.arper.com