

Duna 02

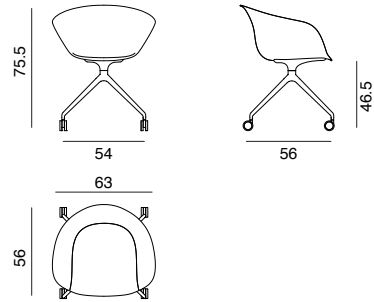
Design by Lievore Altherr Molina, 2014

Art. 4237

Armchair with polished or powder-coated aluminium fixed trestle base, mounted on selfbraking castors. Shell fully upholstered in leather, coated fabric, fabric or customer's own material.



Dimensions *



* File CAD 2D - 3D available for download at www.arper.com

Frame Base



Shell

Carded In



Graded In

kvadrat

camira

Gabriel®

arper

info@arper.com

www.arper.com


Duna 02

Design by Lievore Altherr Molina, 2014

SHIPMENT DETAILS

Art.4237

1 pz = 2  - kg 15,38/ m³ 0,367

4 pz = 2  - kg 39,2/ m³ 0,552

TECHNICAL SPECIFICATIONS

Art.4237

COL requirement m² 2.66

H 140 cm. COM Meterage m 1.72

RESISTANCE TEST

- EN 1728:2012 - EN 16139:2013 6.10
- EN 1728:2012 - EN 16139:2013 6.17
- EN 1728:2012 - EN 16139:2013 6.20
- EN 1728:2012 - EN 16139:2013 6.25
- EN 1728:2012 - EN 16139:2013 6.4
- EN 1022:05
- EN 1728:2012 - EN 16139:2013 6.11
- EN 1728:2012 - EN 16139:2013 6.18
- EN 1728:2012 - EN 16139:2013 6.24
- EN 1728:2012 - EN 16139:2013 6.26
- EN 1728:2012 - EN 16139:2013 6.5

FIRE RETARDANT TEST

ENVIRONMENTAL CERTIFICATIONS



arper

www.arper.com
info@arper.com