

# Catifa 70 Soft

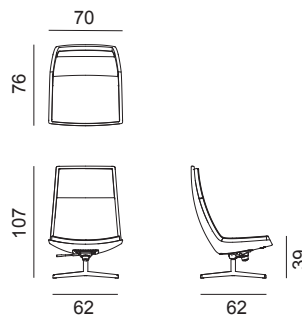
Design by Lievore Altherr Molina, 2012

## Art. 3300

Lounge chair with polished or powdercoated aluminium pedestal base equipped with return and tilt mechanisms. Structural polyurethane upholstered shell and cushions (with removable covers) in leather, coated fabric, fabric or customer's material. Aluminium armrests are offered in the same finishes of the base, also in upholstered version.

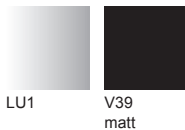


### Dimensions \*



\* File CAD 2D - 3D available for download at [www.arper.com](http://www.arper.com)

### Frame Base



arper

### Shell

#### Carded In



#### Graded In

**kvadrat**

**camira**

**Gabriel®**

# Catifa 70 Soft

Design by Lievore Altherr Molina, 2012

---




Armrest LU1 /Armrest CI

---

## SHIPMENT DETAILS

### Art.3300

1 pz = 1  - kg 38/ m³ 0,955

1 pz = 1  - kg 41/ m³ 0,955

---

## RESISTANCE TEST

- EN 1728:2000 - EN 15373:2007 6.15
- EN 1728:2000 - EN 15373:2007 6.2.1
- EN 1728:2000 - EN 15373:2007 6.3
- EN 1730:2012 - EN 15372:2016 6.9
- EN 1728:2000 - EN 15373:2007 6.16
- EN 1728:2000 - EN 15373:2007 6.2.2
- EN 1335-3:2009 7.1

---

## ENVIRONMENTAL CERTIFICATIONS

---

## TECHNICAL SPECIFICATIONS

### Art.3300

COL requirement m² 5.52

H 140 cm. COM Meterage m 3.52

---

## FIRE RETARDANT TEST

arper

www.arper.com  
info@arper.com

www.arper.com