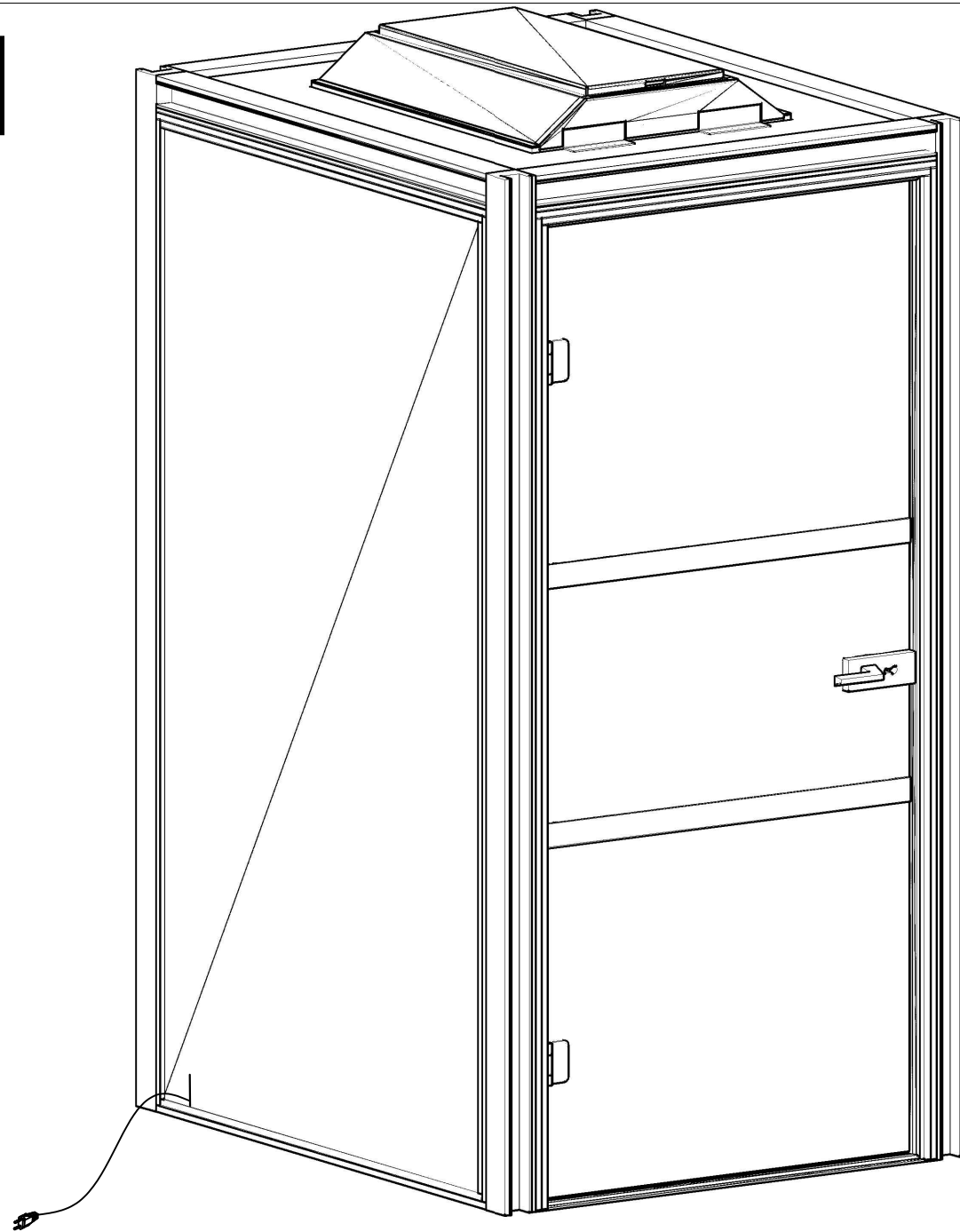
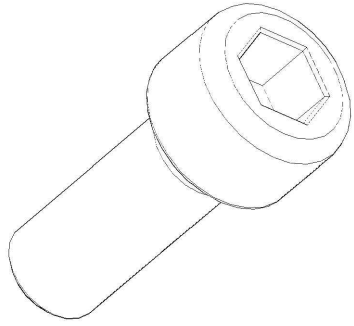


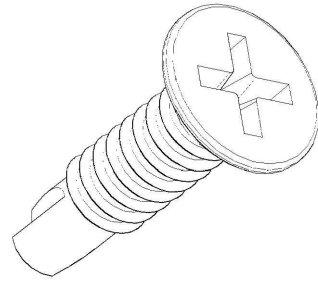
# HK01

.mdd

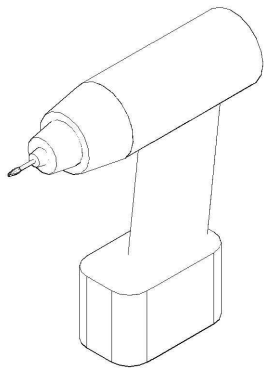
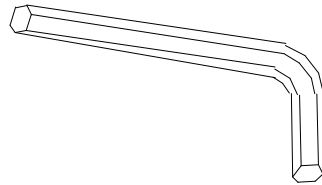




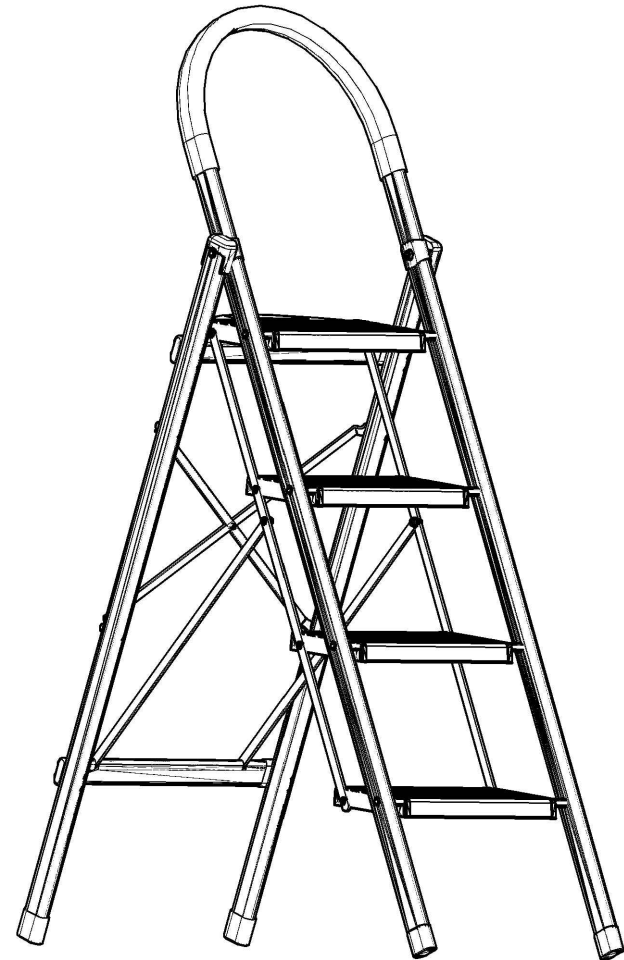
M6x16

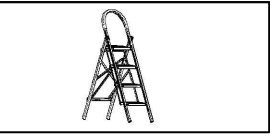
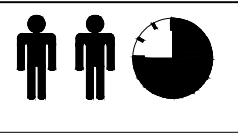
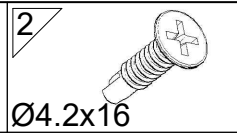
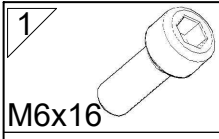


Ø4.2x16



MIN 1,5M

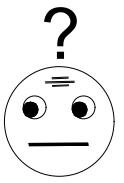




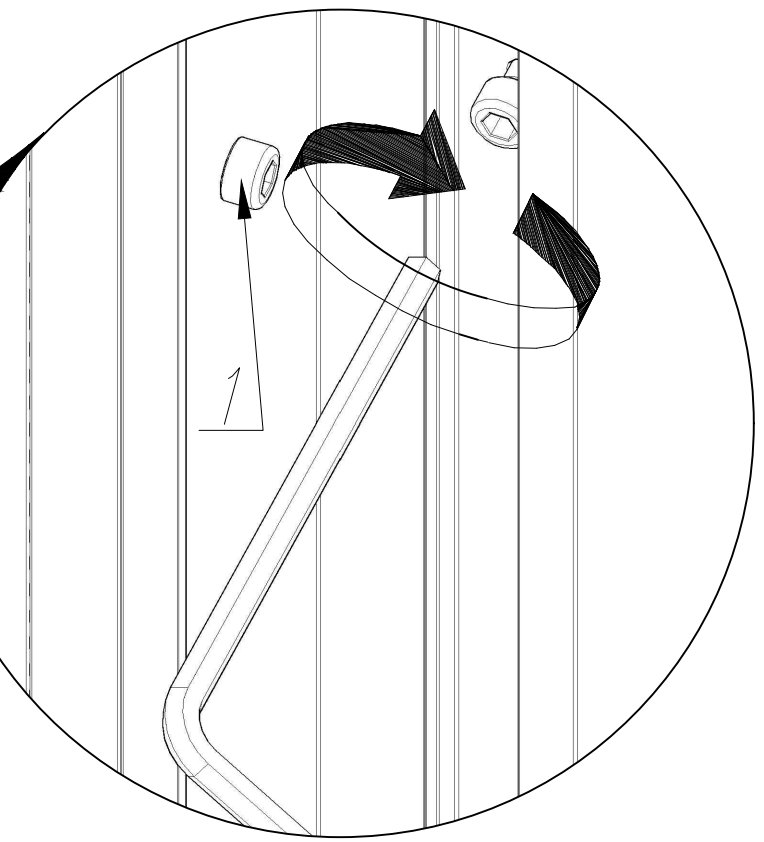
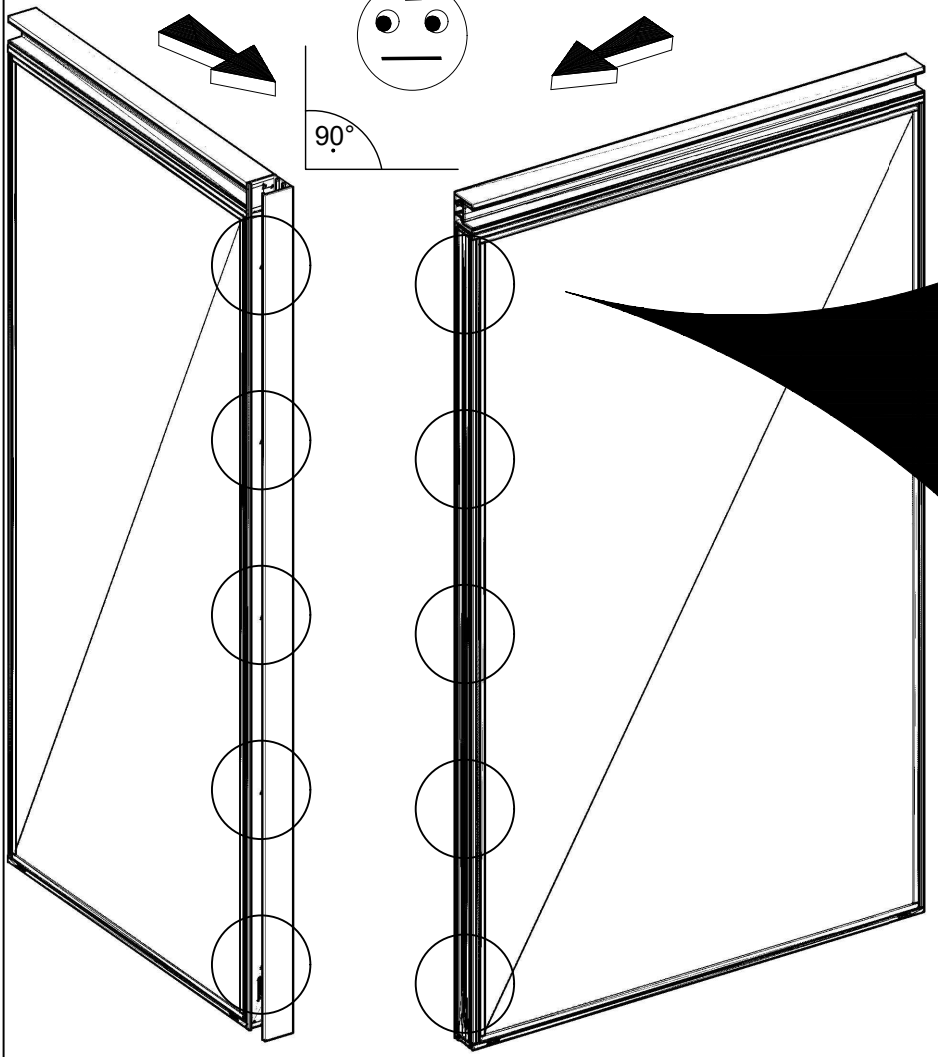
# HK01

A

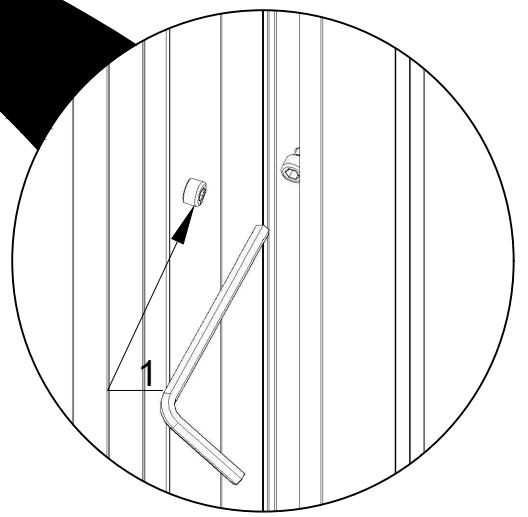
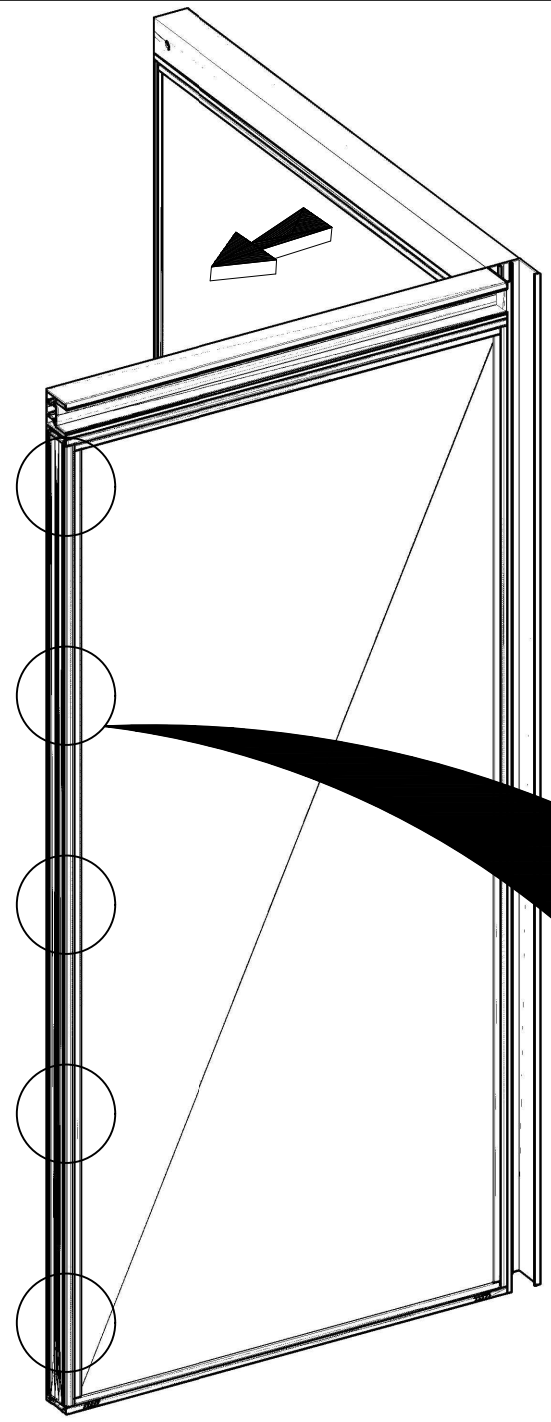
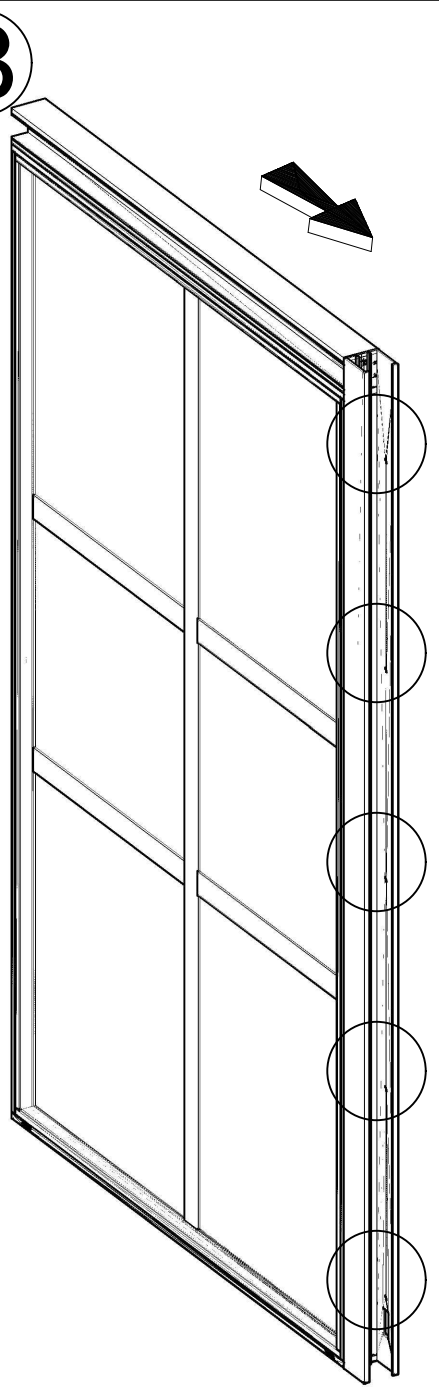
1



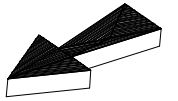
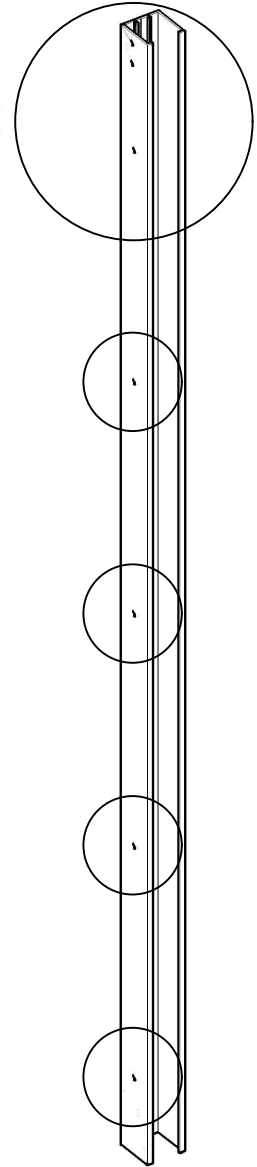
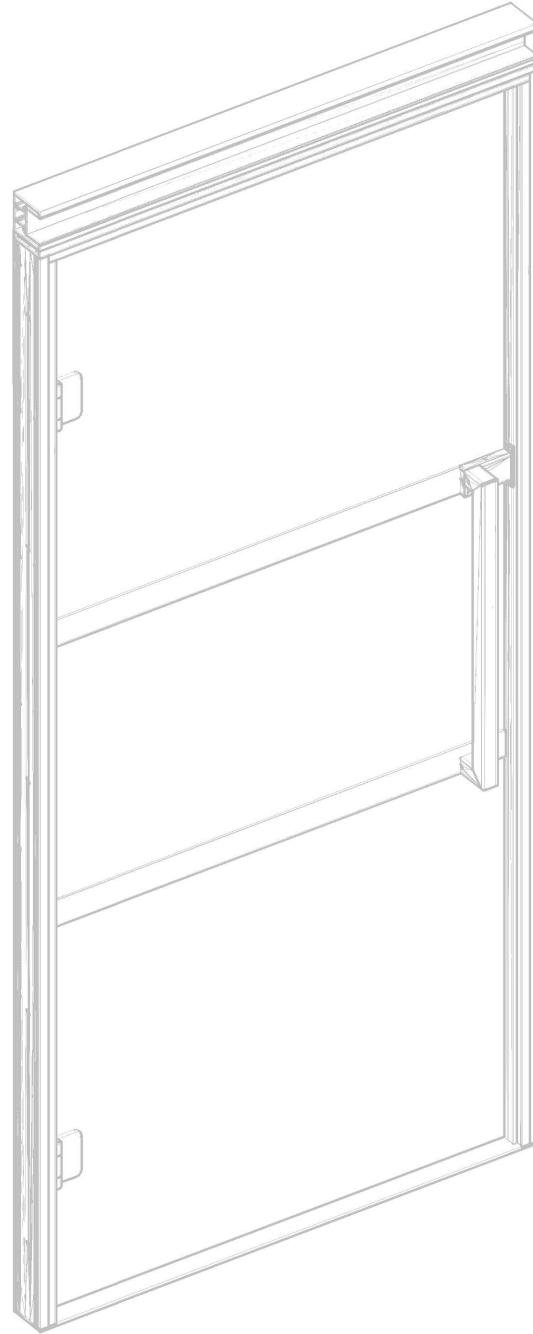
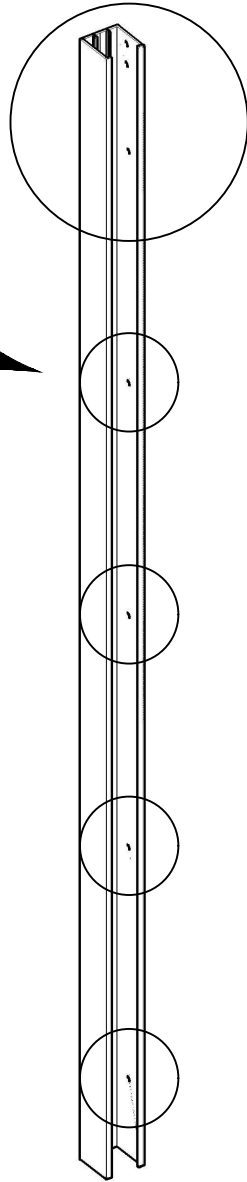
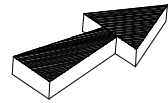
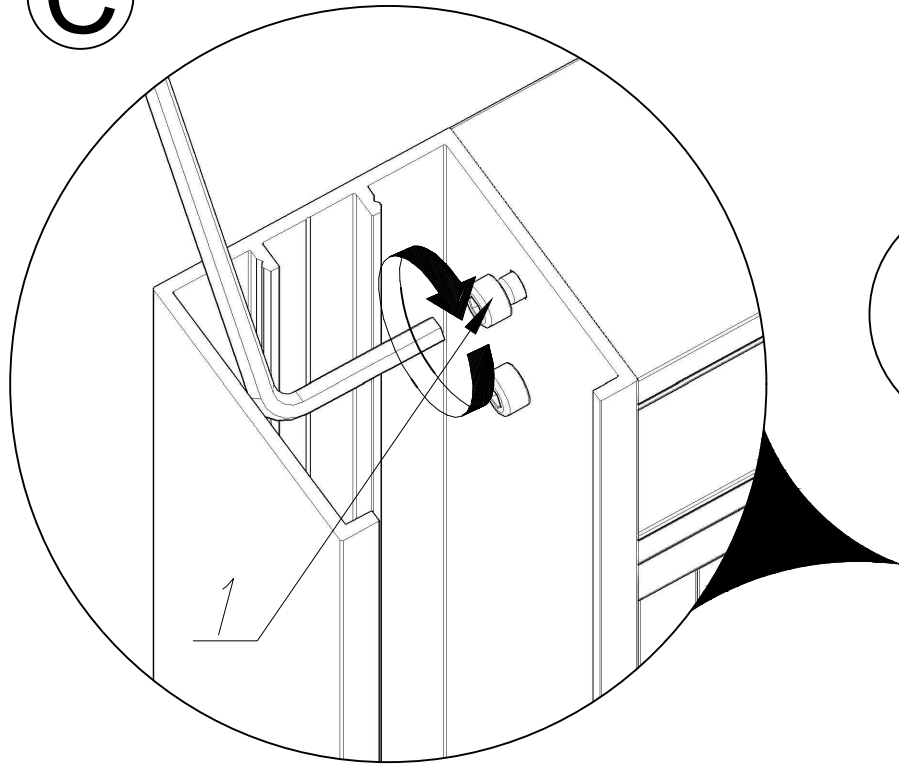
2



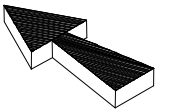
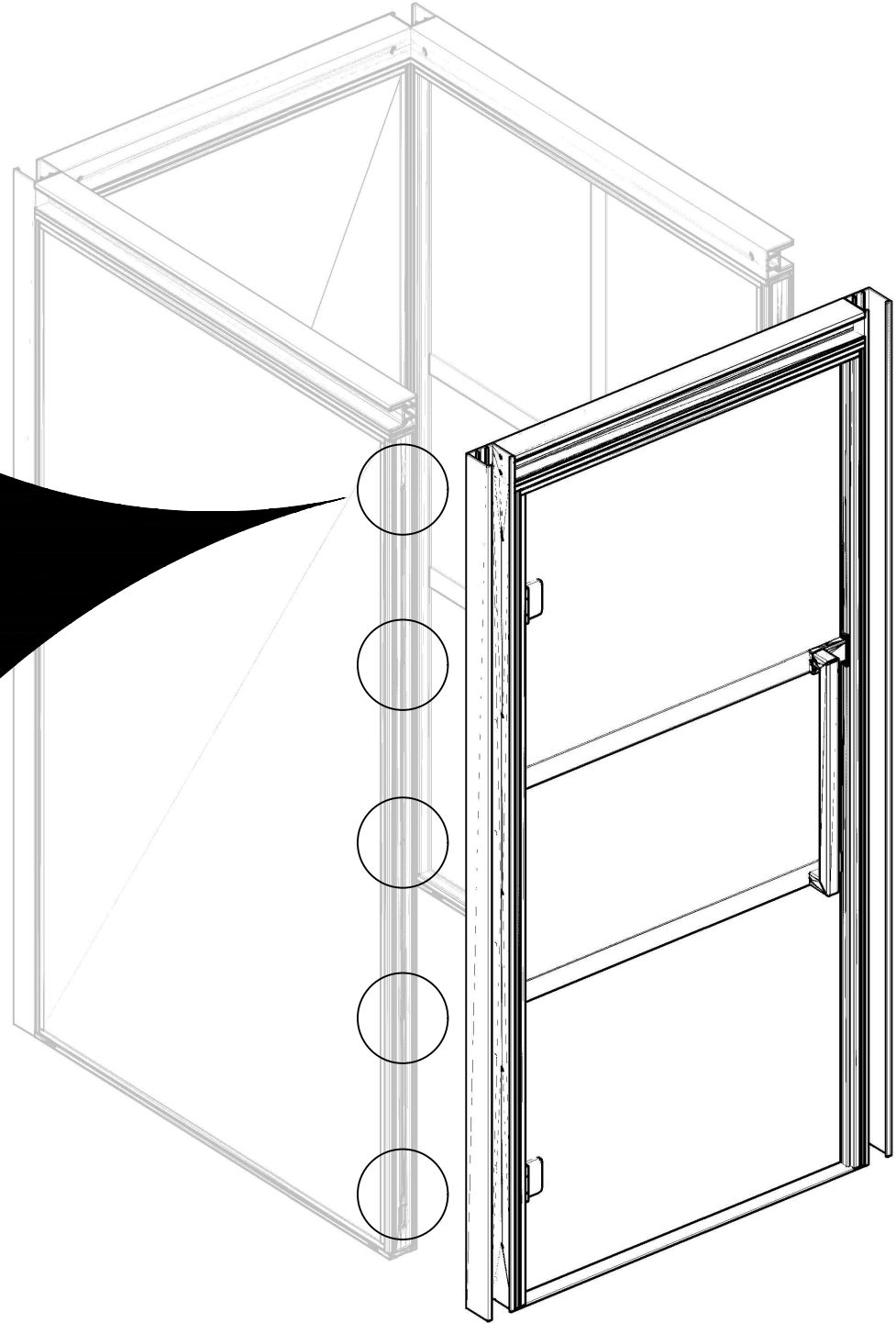
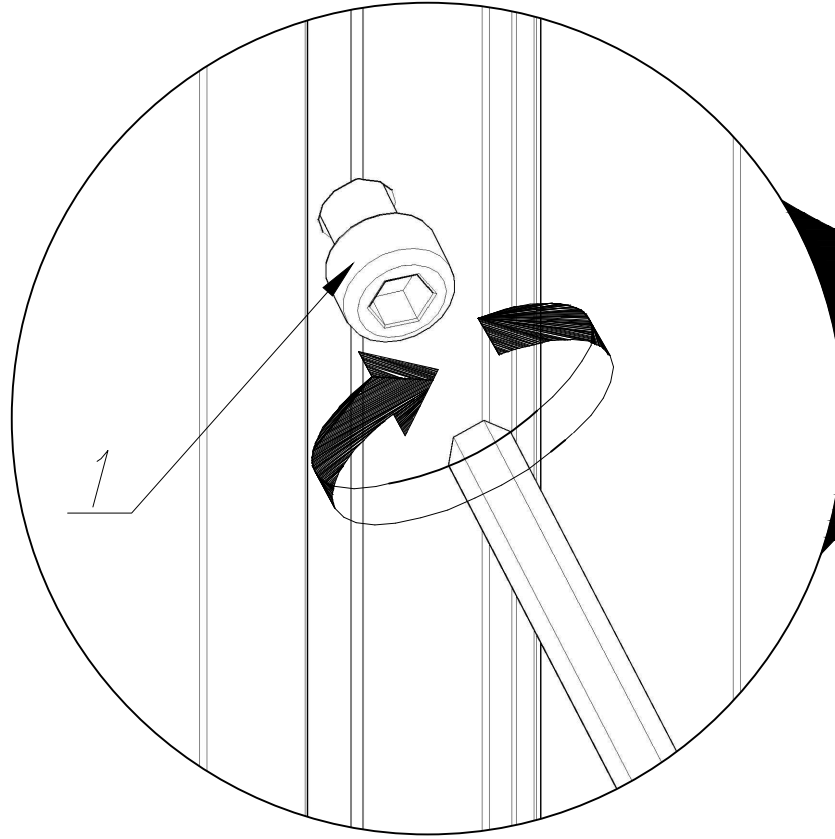
**B**



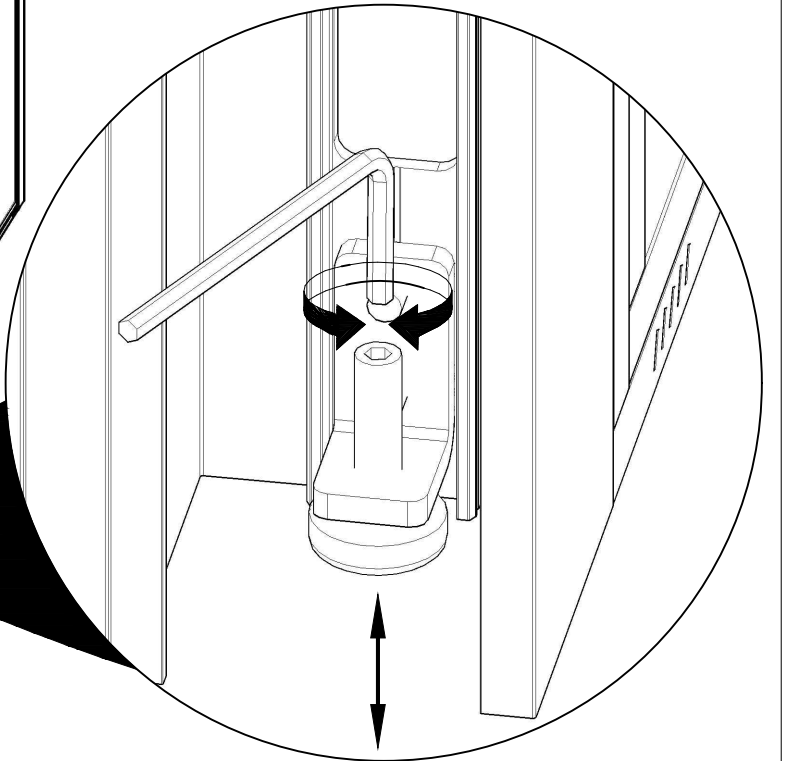
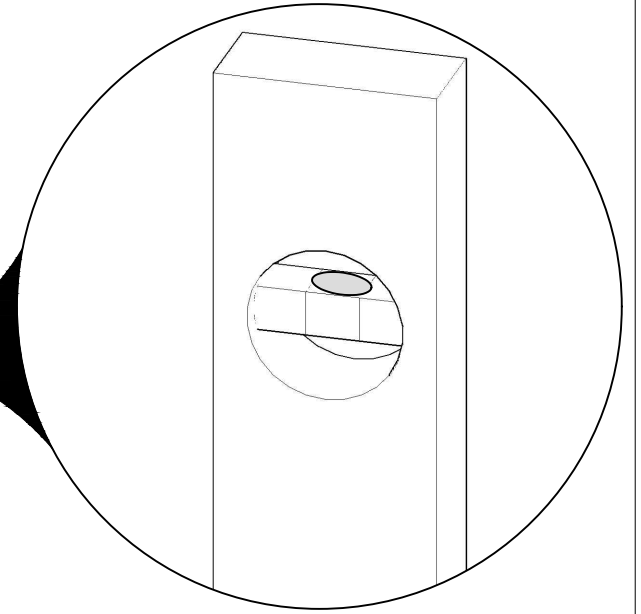
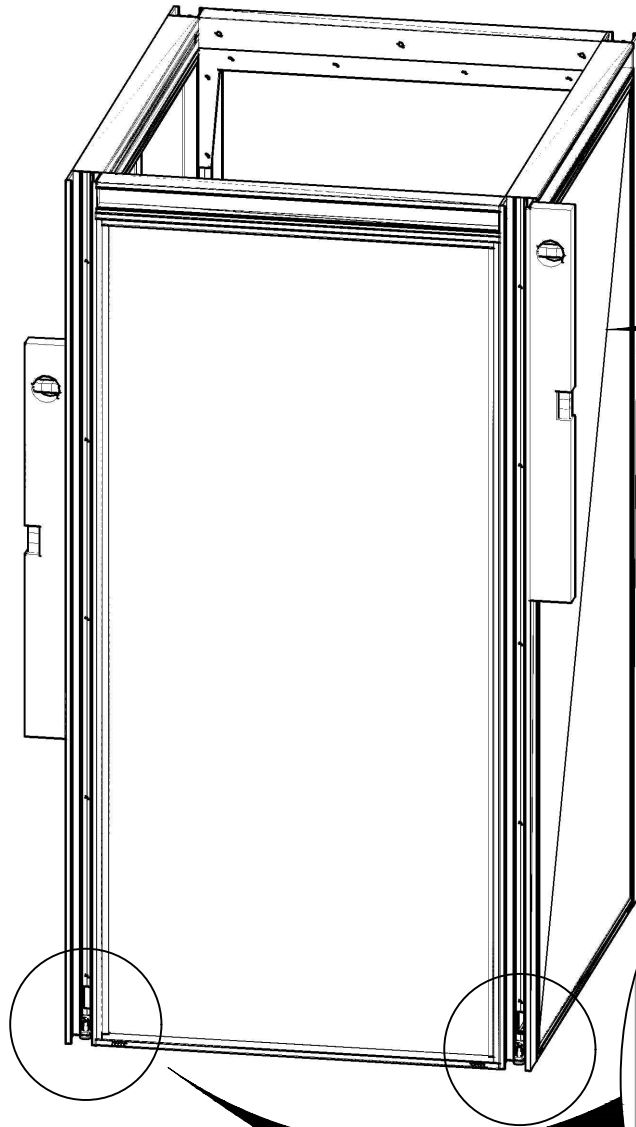
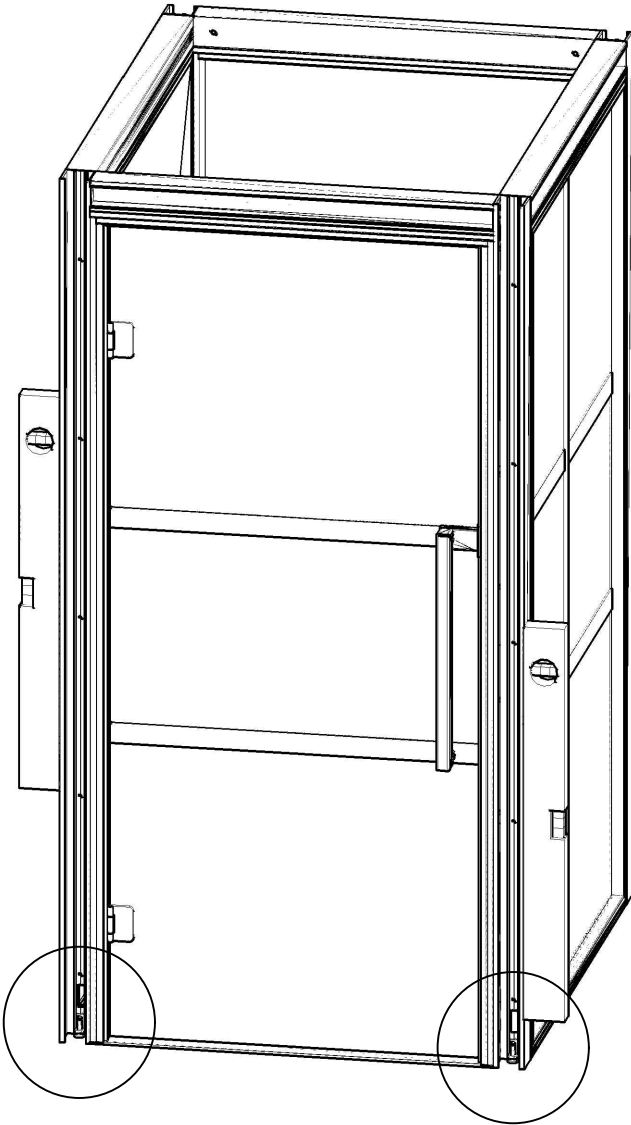
C



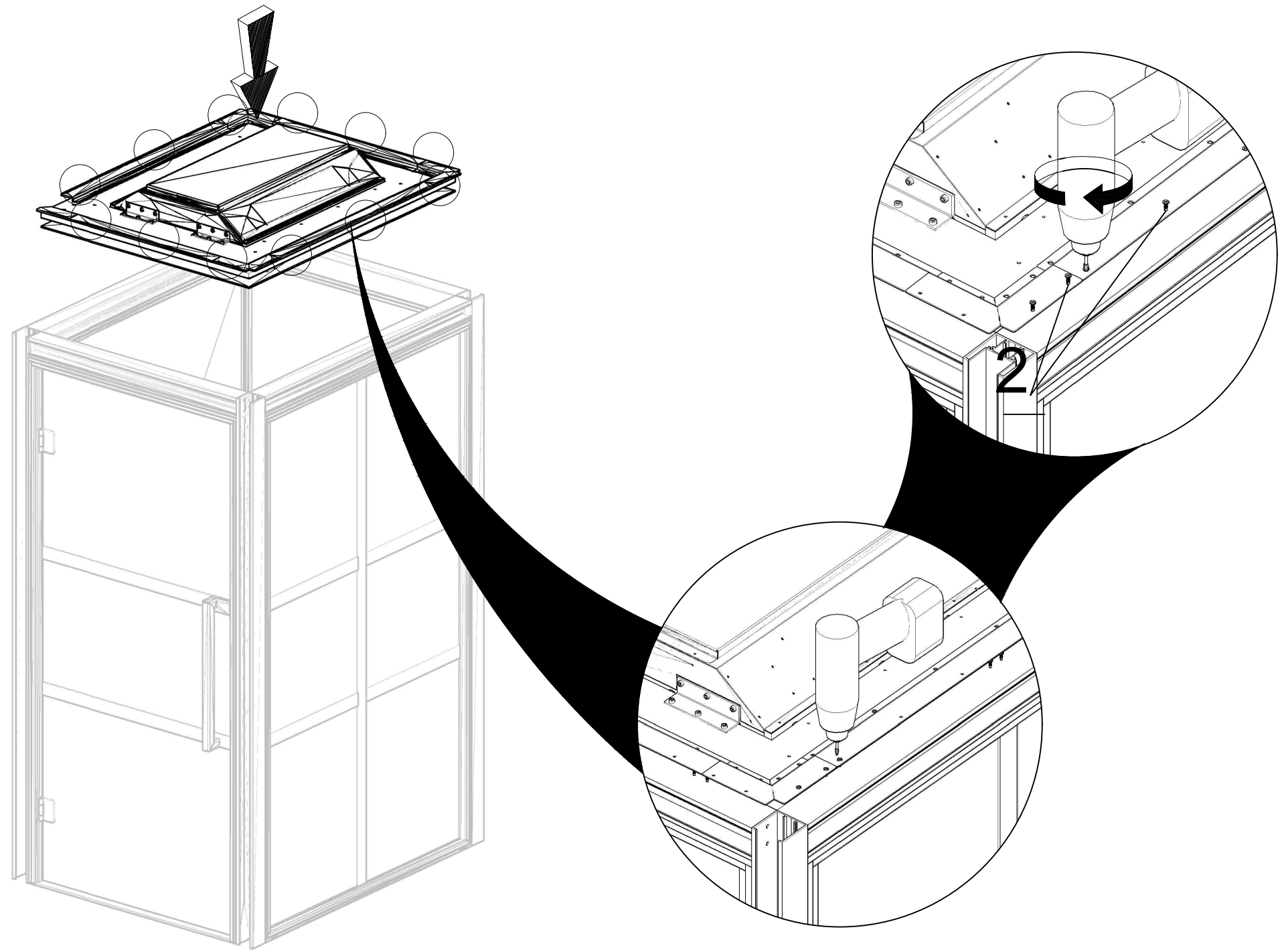
D



E

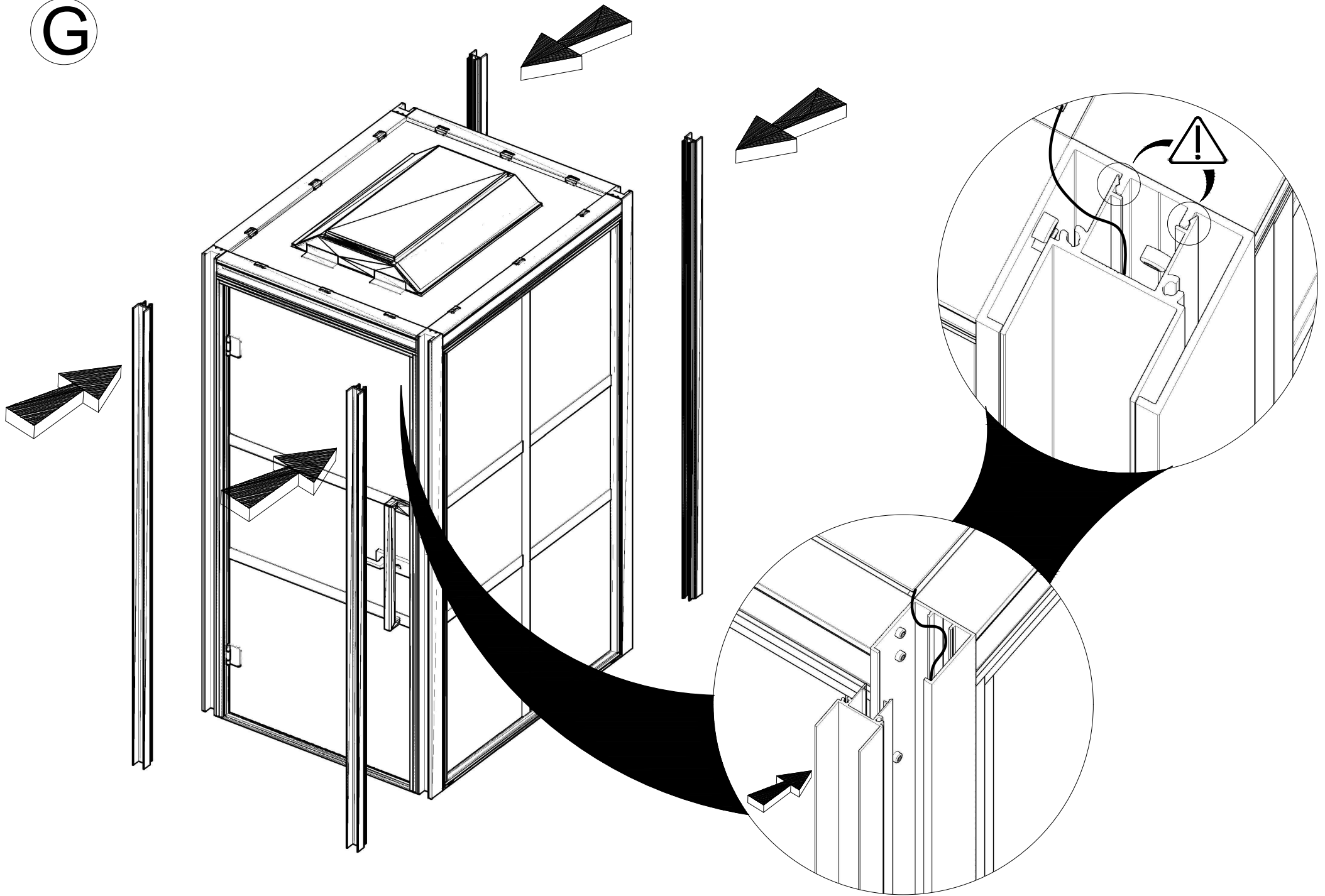


F





G



H

