

Cila

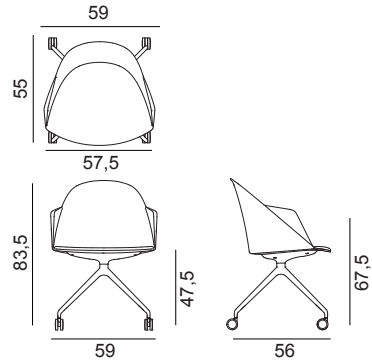
Design by Lievore Altherr, 2018

Art. 2234

Armchair with polished or powder-coated aluminium fixed trestle base mounted on self-braking castors. Shell fully upholstered in fabric, leather, coated fabric, or customer's material.



Dimensions *



* File CAD 2D - 3D available for download at www.arper.com

Frame Base



arper

www.arper.com

info@arper.com

Cila

Design by Lievore Altherr, 2018

SHIPMENT DETAILS

Art.2234

1 pz = 1  - kg 10,08/ m³

1 pz = 2  - kg 15,54/ m³ 0,394

4 pz = 2  - kg 49,02/ m³ 0,564

TECHNICAL SPECIFICATIONS

Art.2234

COL requirement m² 3.3

H 140 cm. COM Meterage m 1.47

*Classe 1, 2, 1IM: fire retardant version available with surcharge and eventual minimum batch

FIRE RETARDANT TEST

Thickness

arper

GLIDES

Standard



Hard floor
1AM0237
Optional



Hard floor
1AM0237



Hard floor
1AM0237



Hard floor
1AM0237



Hard floor
1AM0237



Hard floor
1AM0237