

# Cila Go

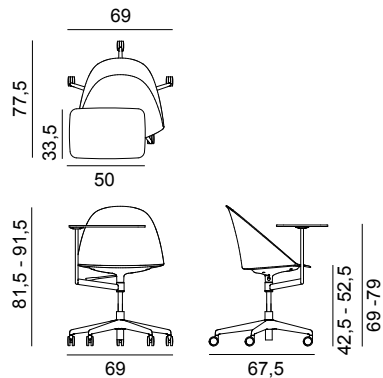
Design by Lievore Altherr, 2019

## Art. 2312

Chair on a 5 way reinforced nylon fibre swivel base (black or white) mounted on self-braking castors (in the same colour as the base) and complete with writing tablet 50x33.5 cm in HPL with top and rotating arm in the same colour as the base. Polypropylene shell available in 5 colours.



Dimensions \*



\* File CAD 2D - 3D available for download at [www.arper.com](http://www.arper.com)

Frame Base



Shell

Polypropylene



arper

info@arper.com

www.arper.com


# Cila Go

## Design by Lievore Altherr, 2019

---

### SHIPMENT DETAILS

#### Art.2312

1 pz = 3  - kg 16,43/ m<sup>3</sup> 0,231

4 pz = 9  - kg 62,77/ m<sup>3</sup> 0,613

### RESISTANCE TEST

- TUV GS (EN16139)

### ENVIRONMENTAL CERTIFICATIONS



### TECHNICAL SPECIFICATIONS

#### Art.2312

\*Classe 1, 2, 1IM: fire retardant version available with surcharge and eventual minimum batch

### FIRE RETARDANT TEST

Classe 2 Omologazione Italia Polipropilene

arper

www.arper.com

info@arper.com