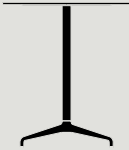


Instructions



Rely Table ^{ATD4 & ATD5} &Tradition 2022

Congratulations on your new Rely table, designed in 2022 by &Tradition. We hope you will enjoy using this product. Please follow these instructions to ensure correct installation. If you have any questions or comments, please do not hesitate to contact us by mail at: info@andtradition.com

Rely Table ^{ATD4 & ATD5} Hee Welling 2022

Please read these instructions carefully and retain them for future reference to ensure the product is used correctly. For your own safety, please study each step of this instruction manual first. &Tradition is not responsible for any faults or damages caused by not following these instructions correctly. Do not modify this product in any way.

This manual is applicable to both the rectangular ATD4 tabletop and round ATD5 tabletop.

Contents

A Tabletop	E Short Hex Screws x3
B Tabletop Support	F Short Button Screws x6
C Column	G Large Allen Key x1
D Base	H Small Allen Key x1

Safety precautions

- Dispose of plastic bag from packaging and keep out of reach of children.
- The table is intended for interior or exterior use.
- Handle the tabletop with care to avoid scratching the surface.

Cleaning instructions

Compact Laminate Tabletop

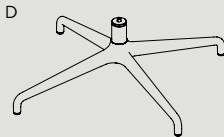
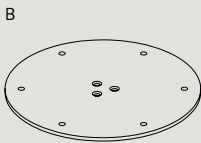
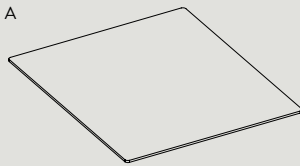
Laminate can be cleaned with a soft cloth wrung in a mild solution of lukewarm water and a universal cleaning detergent. Always wipe over with a dry soft cloth after cleaning.

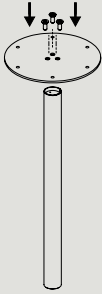
Aluminium Column & Star Base

It is recommended only to use a soft dry cloth to clean powder coated surfaces, but in case more severe cleaning is necessary, a soft cloth wrung in lukewarm water can be carefully applied.

Outdoor furniture

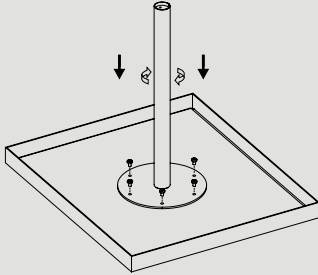
It is recommended to wipe all surfaces that come in contact with rain, snowfall or foreign liquids as this can risk long term damage if left in direct sunlight. Leaving objects on the surface for extended periods of time in direct sunlight may also cause discolouration. Always store in a dry, ventilated location that is not in direct sunlight.





Step 1

Place the tabletop support (B) on the top of the column and align the x3 holes with the corresponding holes in the column. Place the x3 short hex screws (F) in the appointed holes and fasten them clockwise with the small allen key provided (I).

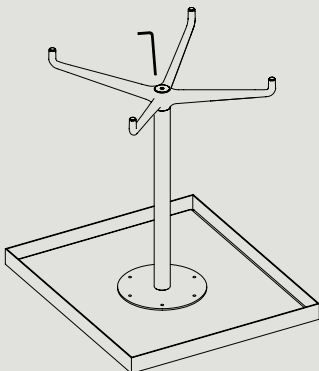


Step 2

Flip the column upside down and place the tabletop support on the back side of the table top. Keep the tabletop in the box provided to avoid any scratches or damage.

Align the tabletop support with the corresponding holes in the tabletop. Screw together using the short button screws (F) and the small allen key (I).

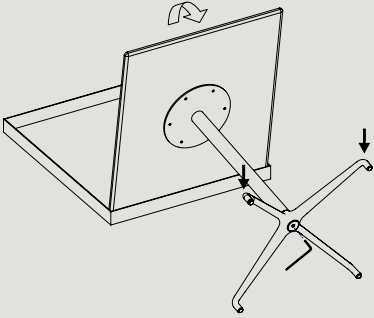
Place the short button screws (G) in the holes provided. and fasten clockwise with the small allen key (I).



Step 3

Place the base (D) on the end of the column (C). Secure no gap between base (D) and column (C). Tighten the screw just slightly.

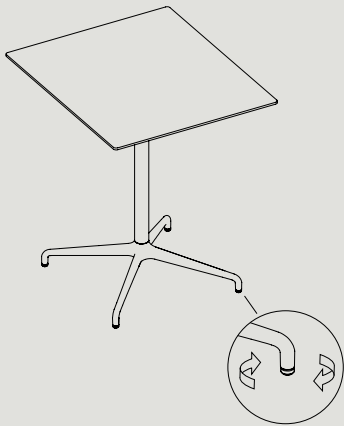
Do not tighten the screw fully at this point.



Step 4

On flat and level ground, tip the table up on one edge. Make sure that two feet remain touching the ground.

Once the tabletop and feet are aligned, firmly tighten the screw.



Step 5

Flip the table over and place carefully on the floor.

Adjust the feet accordingly.